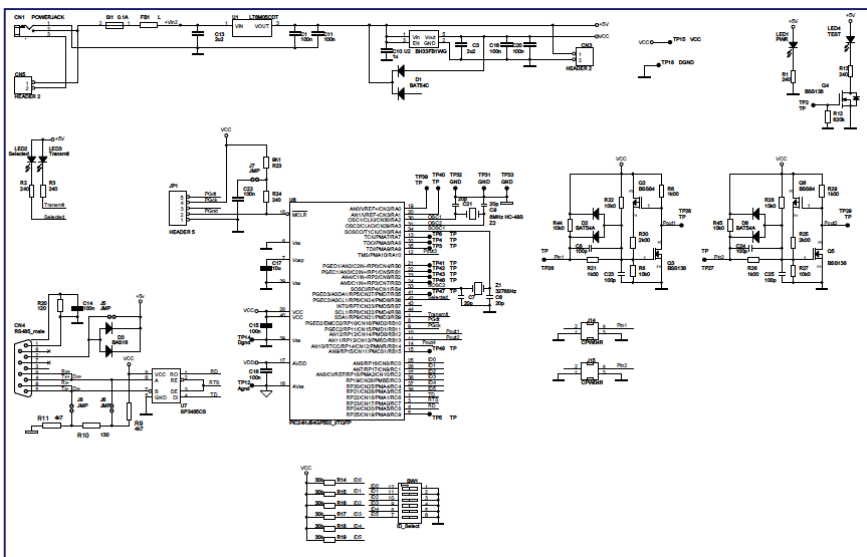


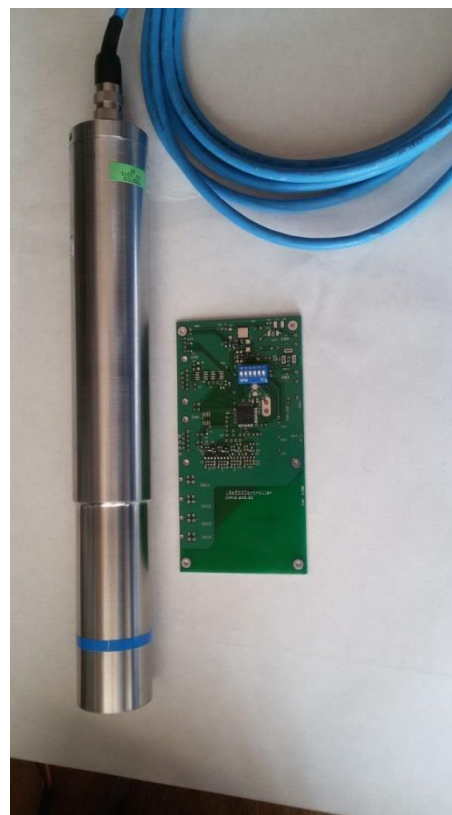


D15.11 – Instantaneous dose-rate monitor for GIF++ - Counter Board

The first version of the counter board designed at INRNE, is going on test at GIF++ - June 2016, cabling infrastructure being prepared.



Counter board block diagram



Berthold GM counter probe and counter board



Berthold GM Technical Data

Dose Rate Range – 500nSv/h – 3mSv/h

Energy Range - 65 keV – 1,3 MeV (+/-40%)

Intrinsic Background – approx. 0.015 cps

Calibration Factor – 7,05 μ Sv/h per cps



This project has received funding from the European Union's Horizon 2020 research and innovation programme under grant agreement No 654168.