



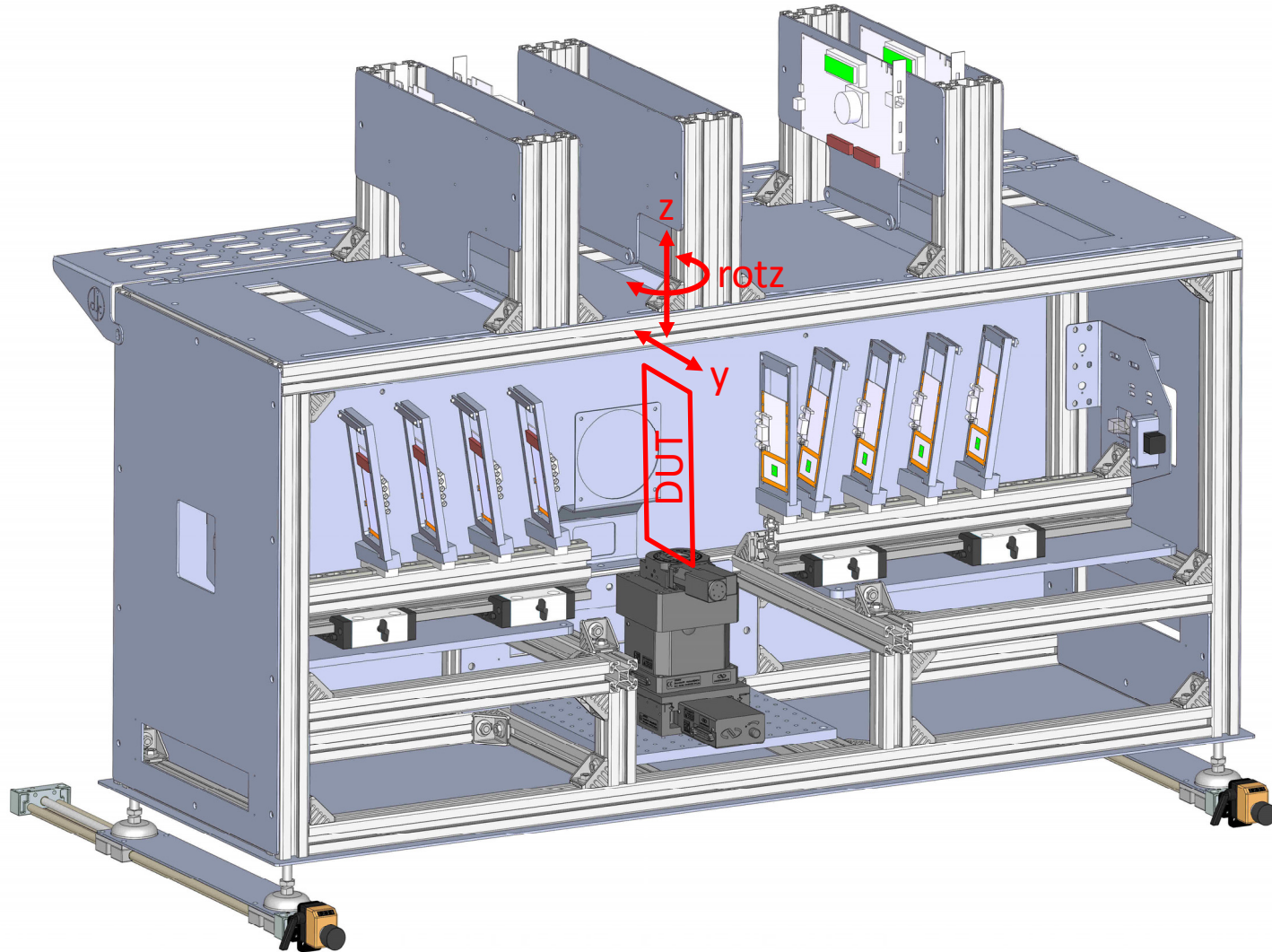
Vertex Working Group Meeting

Test-beam DUT holders for rotation stage

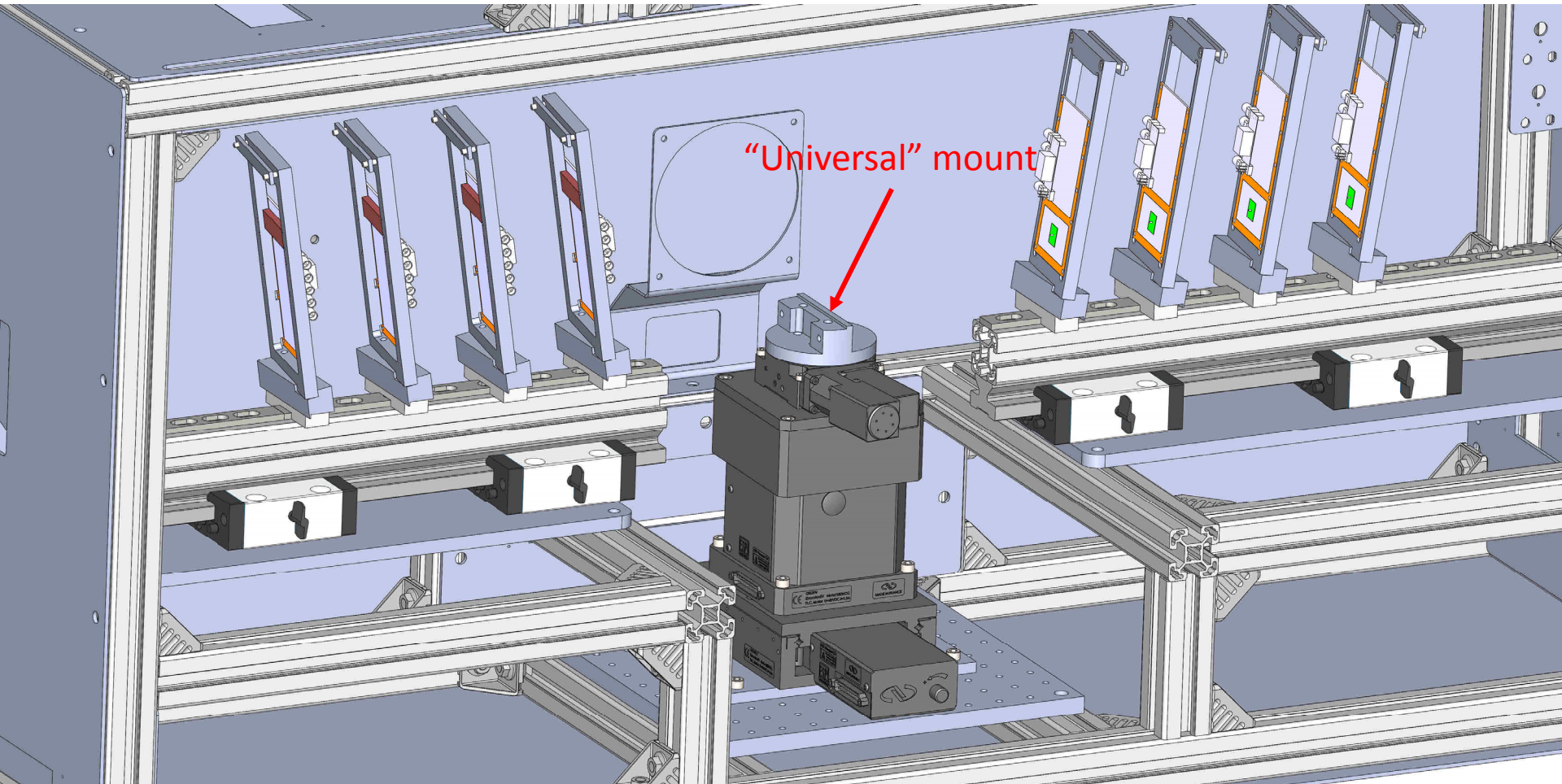
F. Duarte Ramos

January 28, 2016

DUT DOFs

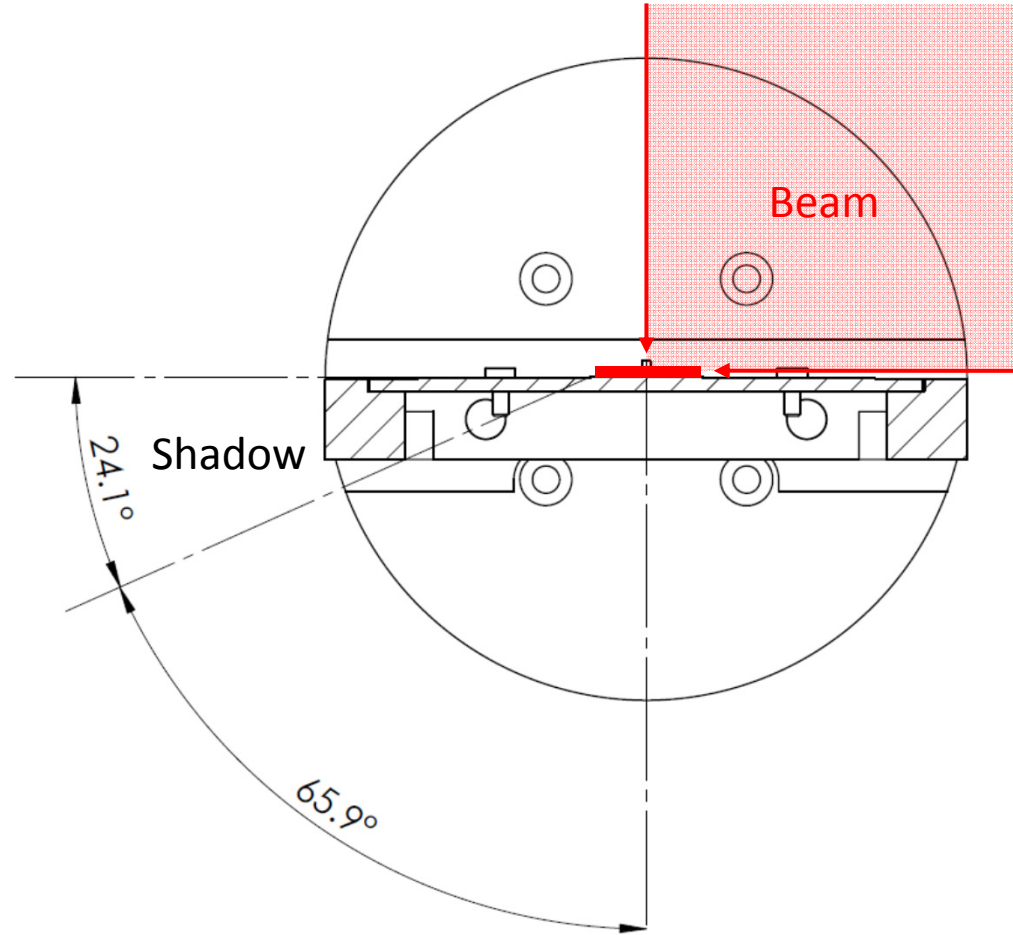
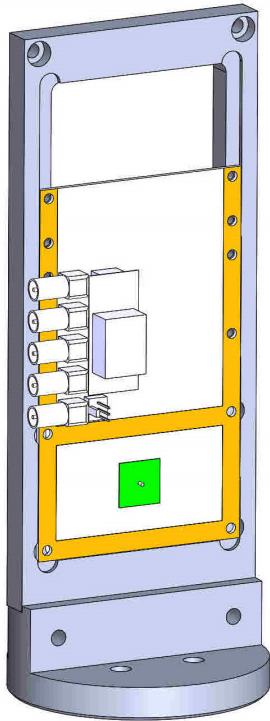


“Universal” mount

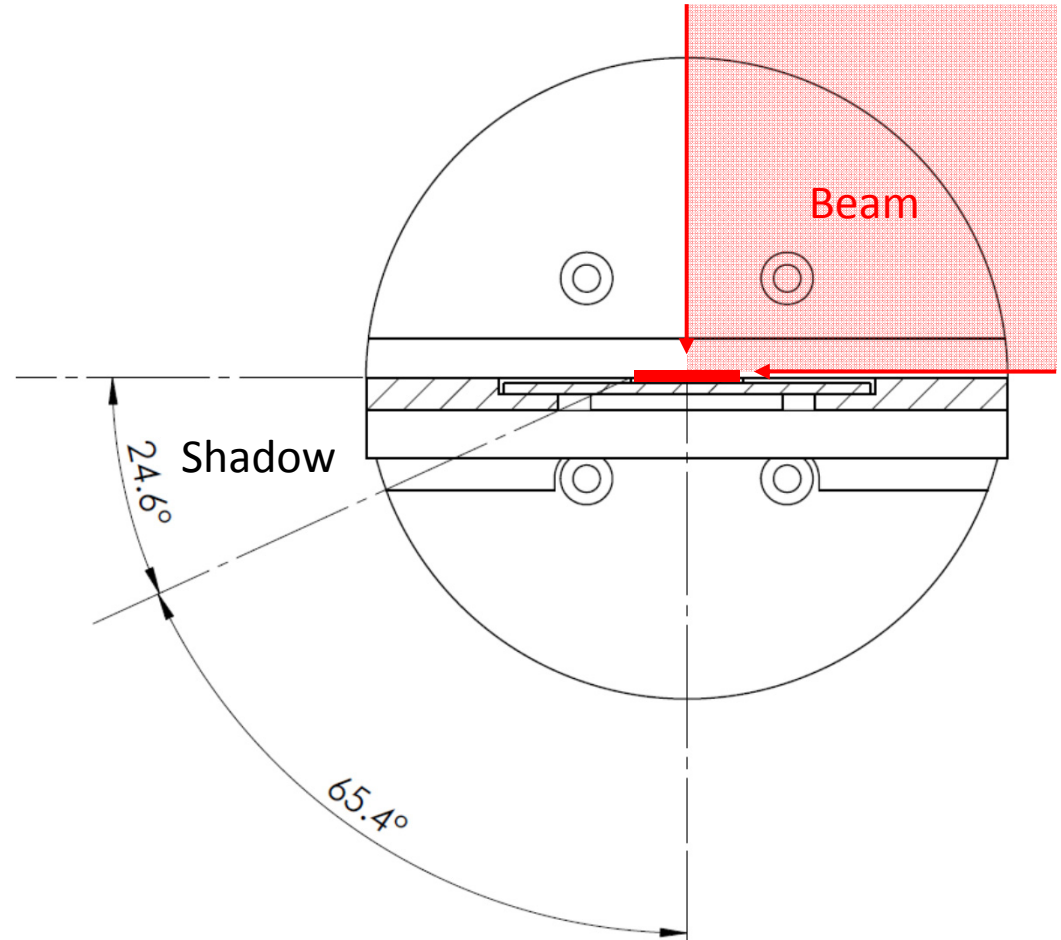
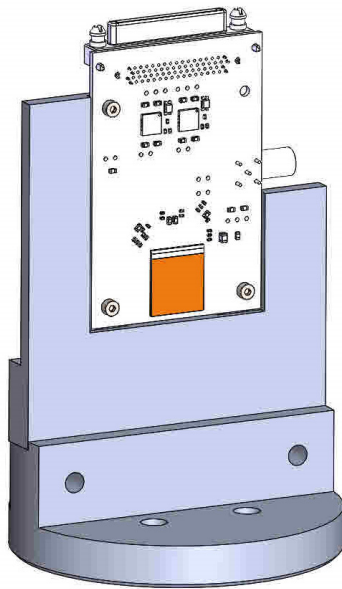


Aluminium frames

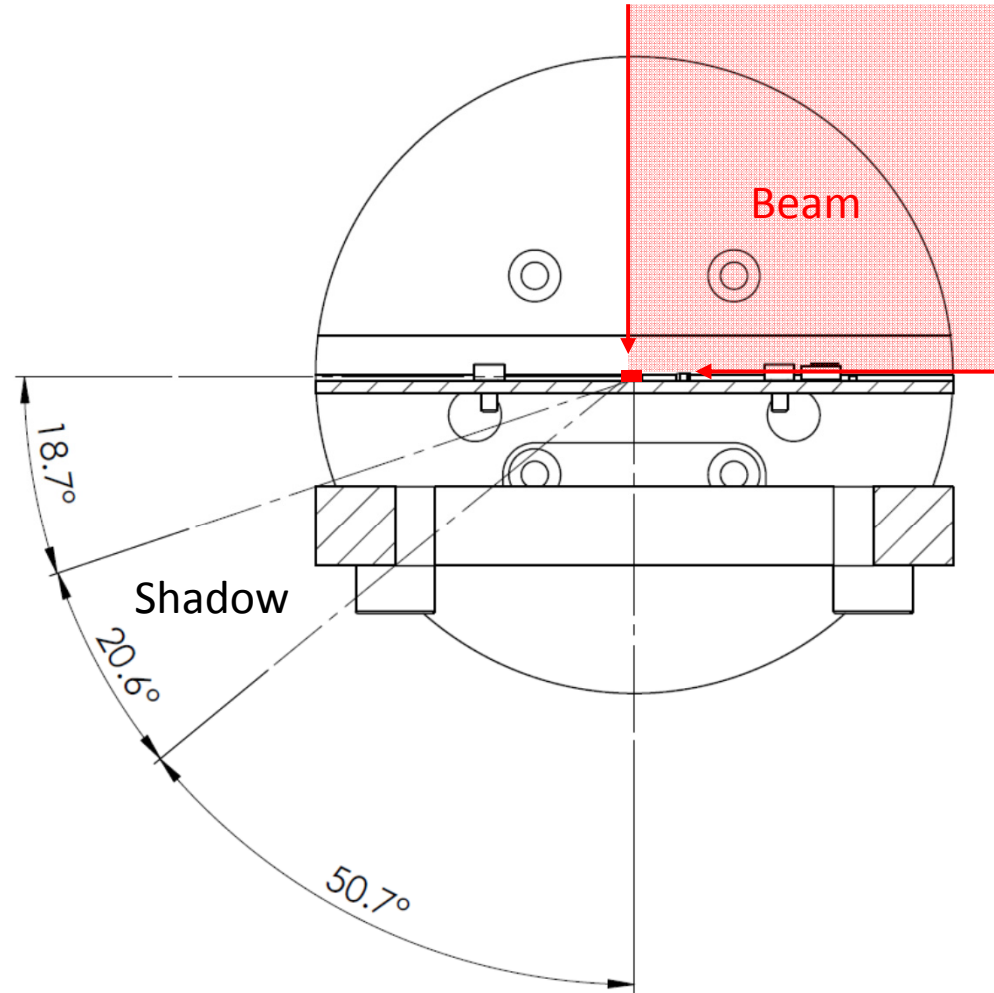
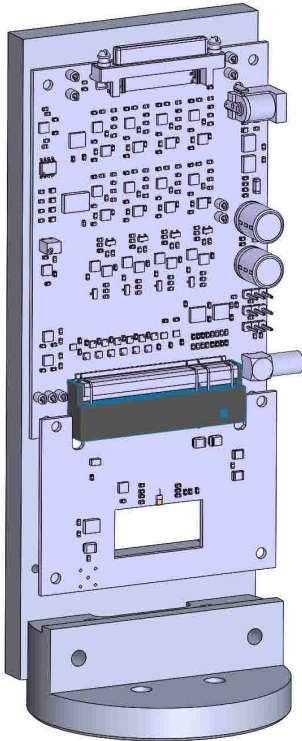
Timepix3



Timepix3 CERN

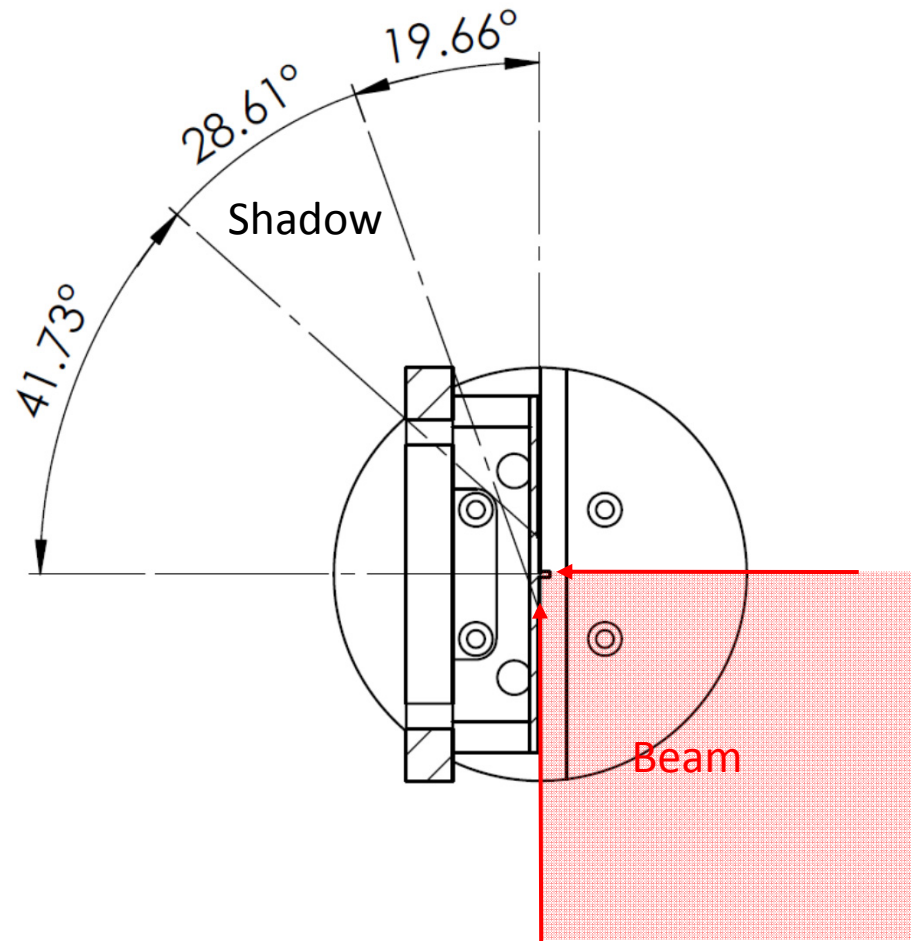
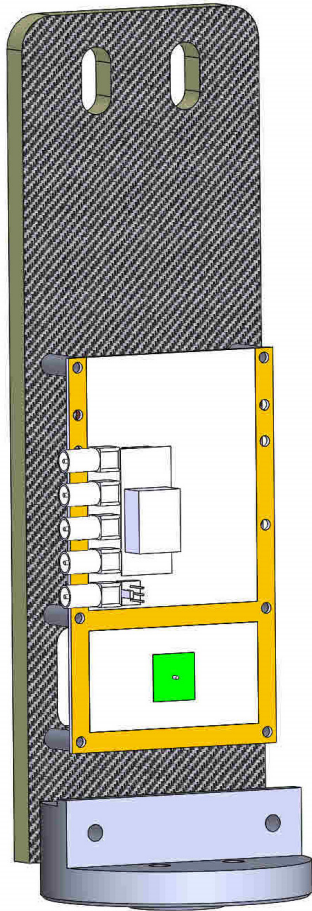


CLICpix

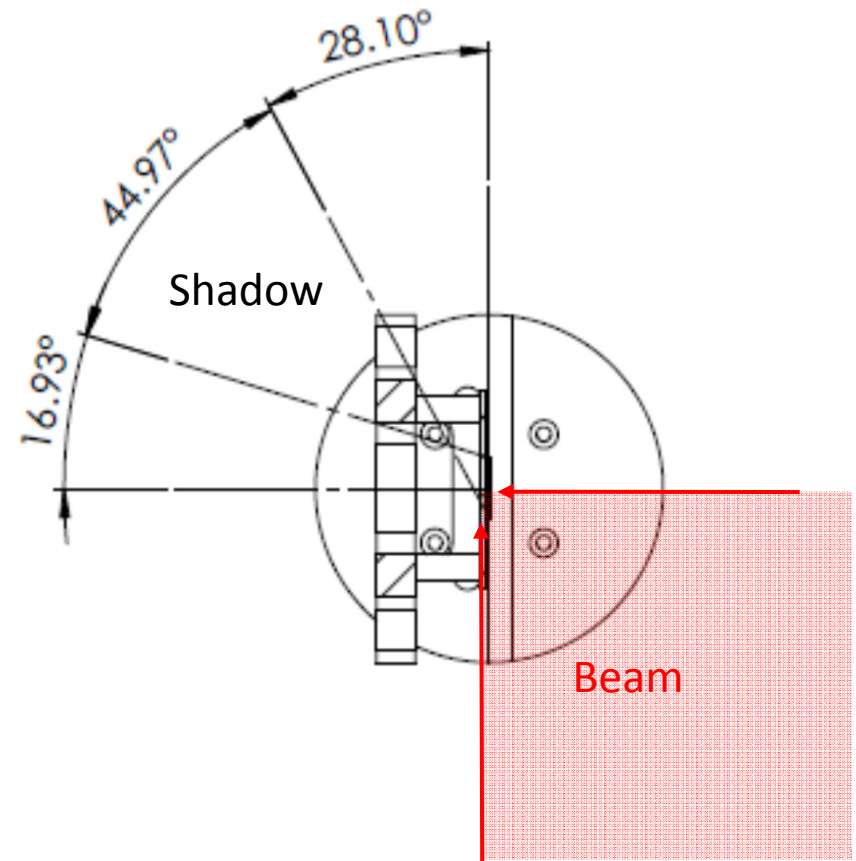
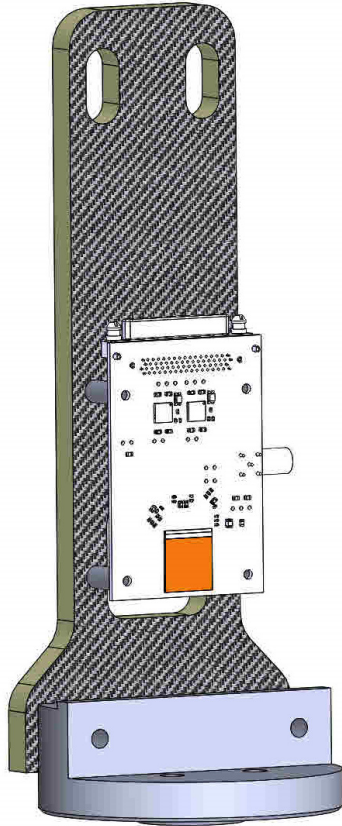


CFRP frames
(~0.5% X0)

Timepix3



Timepix3 CERN



CLICpix

