

Cold Magnetic Shield Acceptance

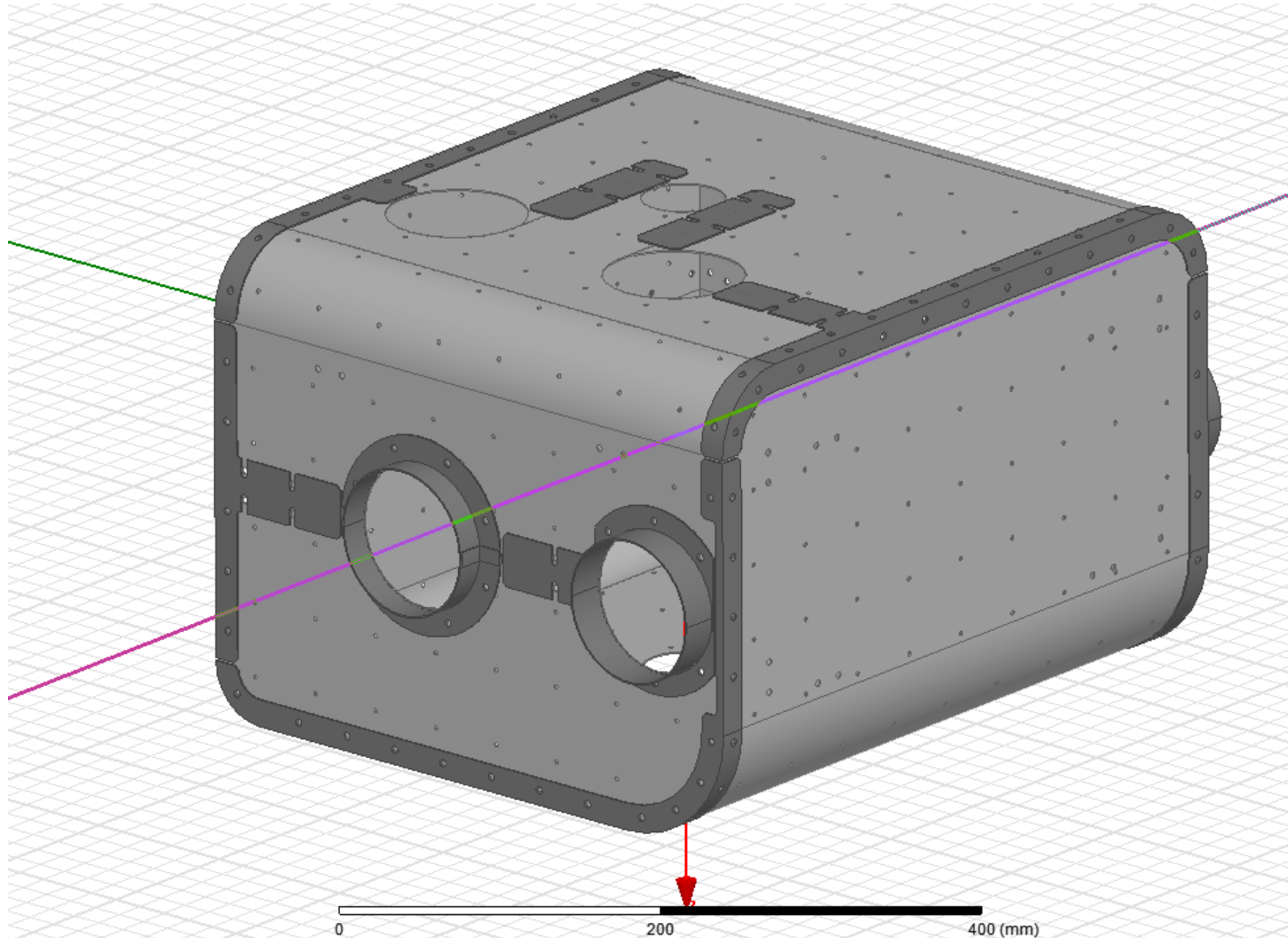
Carlo Zanoni

08/02/2016

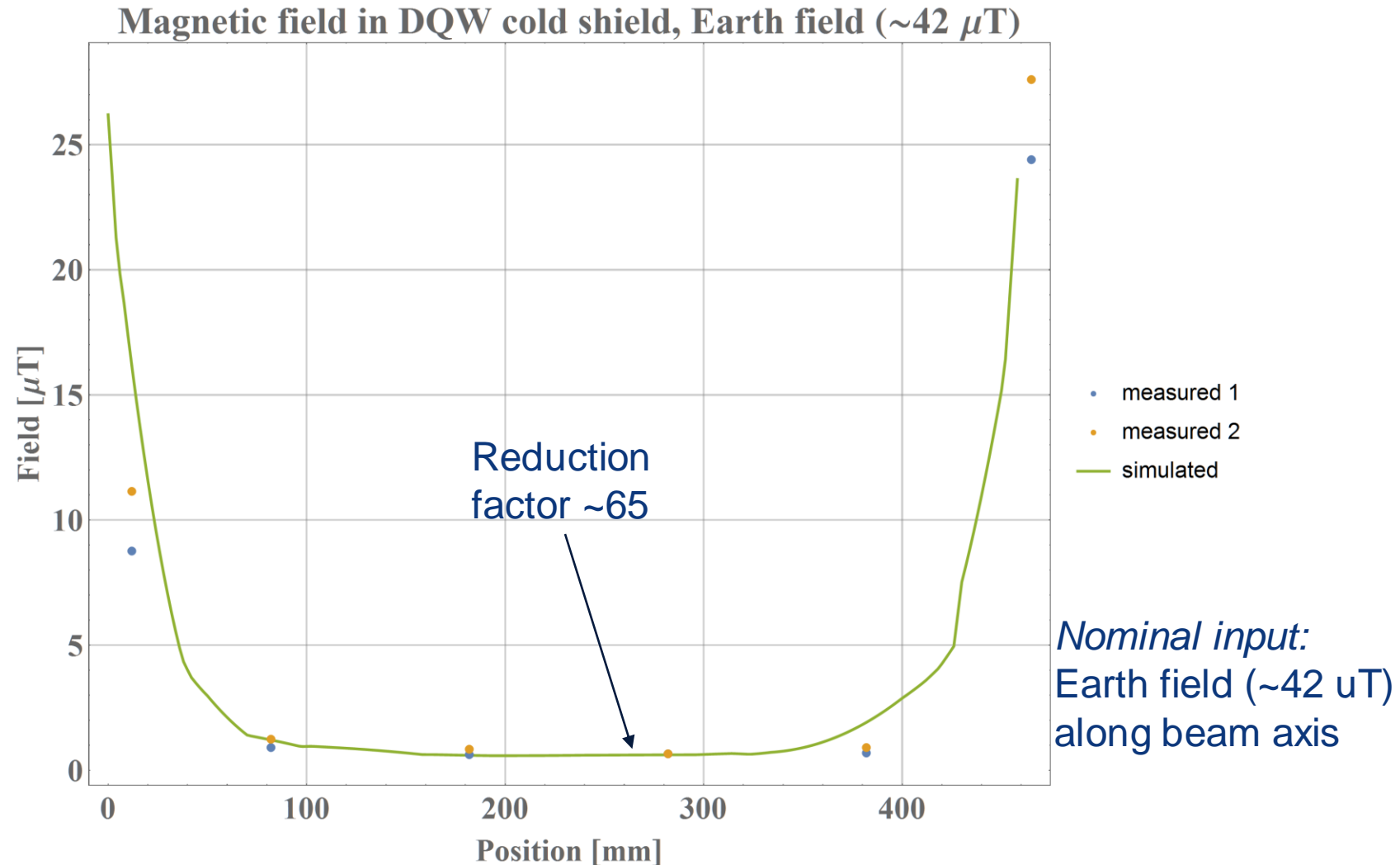


ENGINEERING
DEPARTMENT

Comparison of Data and Simulations



Comparison of Data and Simulations



Conclusions and remarks

- **Agreement** between data and simulations
- Performance are satisfactory

$$B_{\text{mag,SPS}} < 1 \mu\text{T} \rightarrow Rf_{\text{warm}} \times Rf_{\text{cold}} > 200$$

- Report not fully clear on orientation of external field
- Test campaign foreseen [Nik]. Very positive for R&D/academic reasons.



ENGINEERING
DEPARTMENT