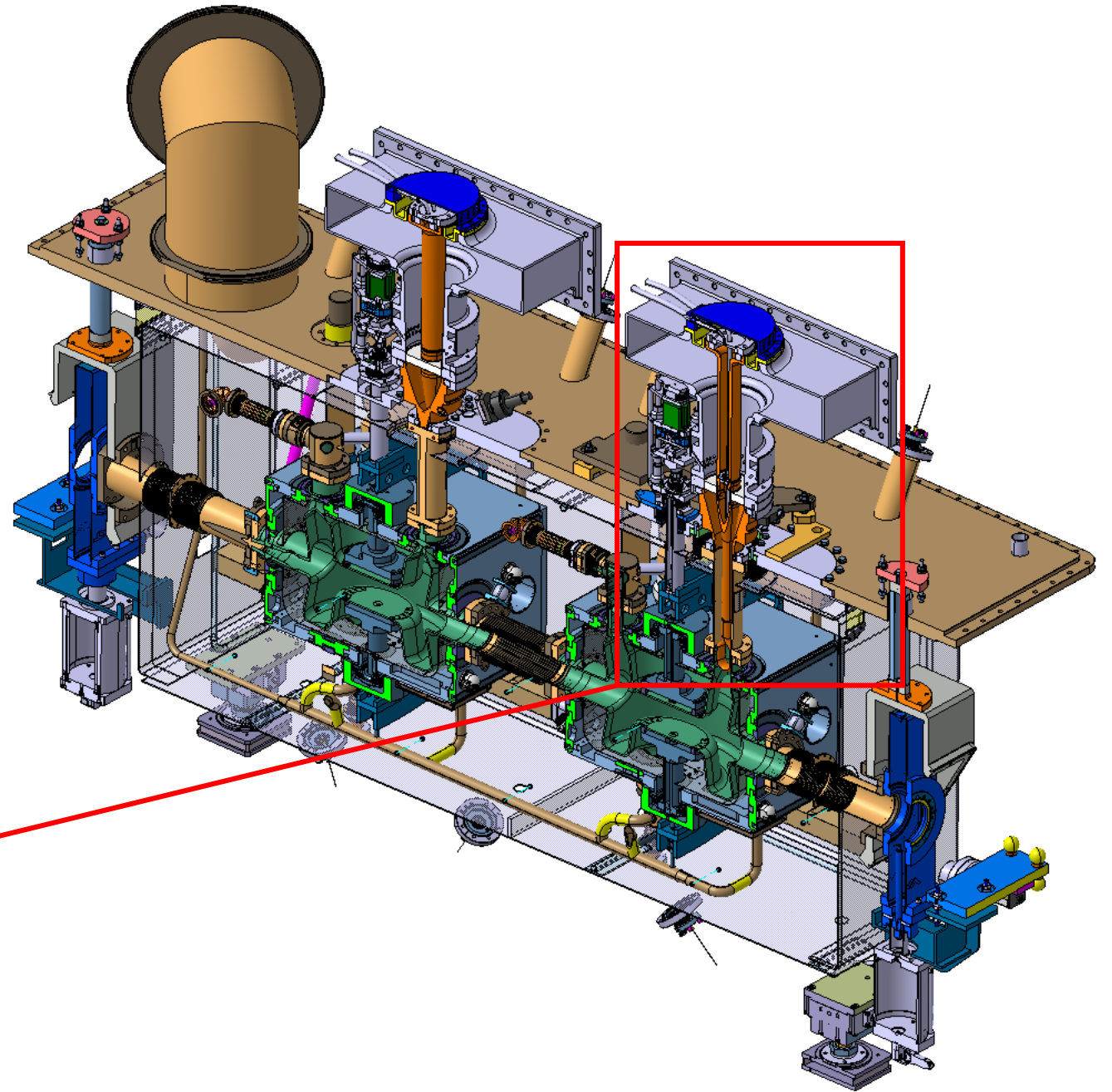
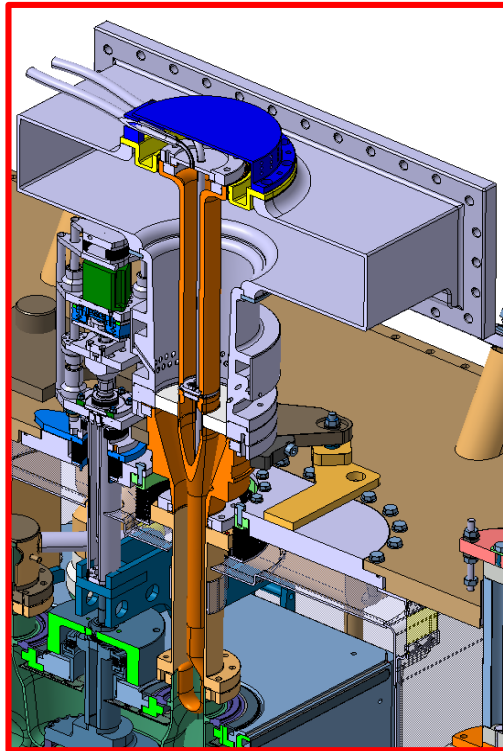
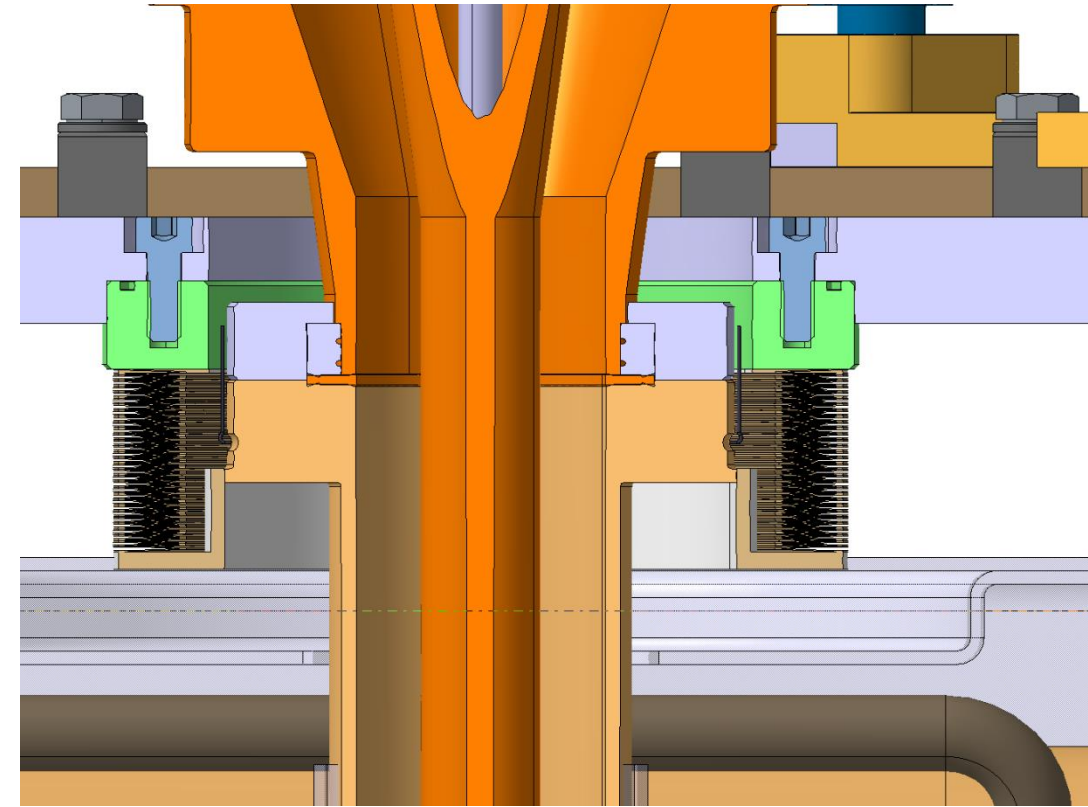
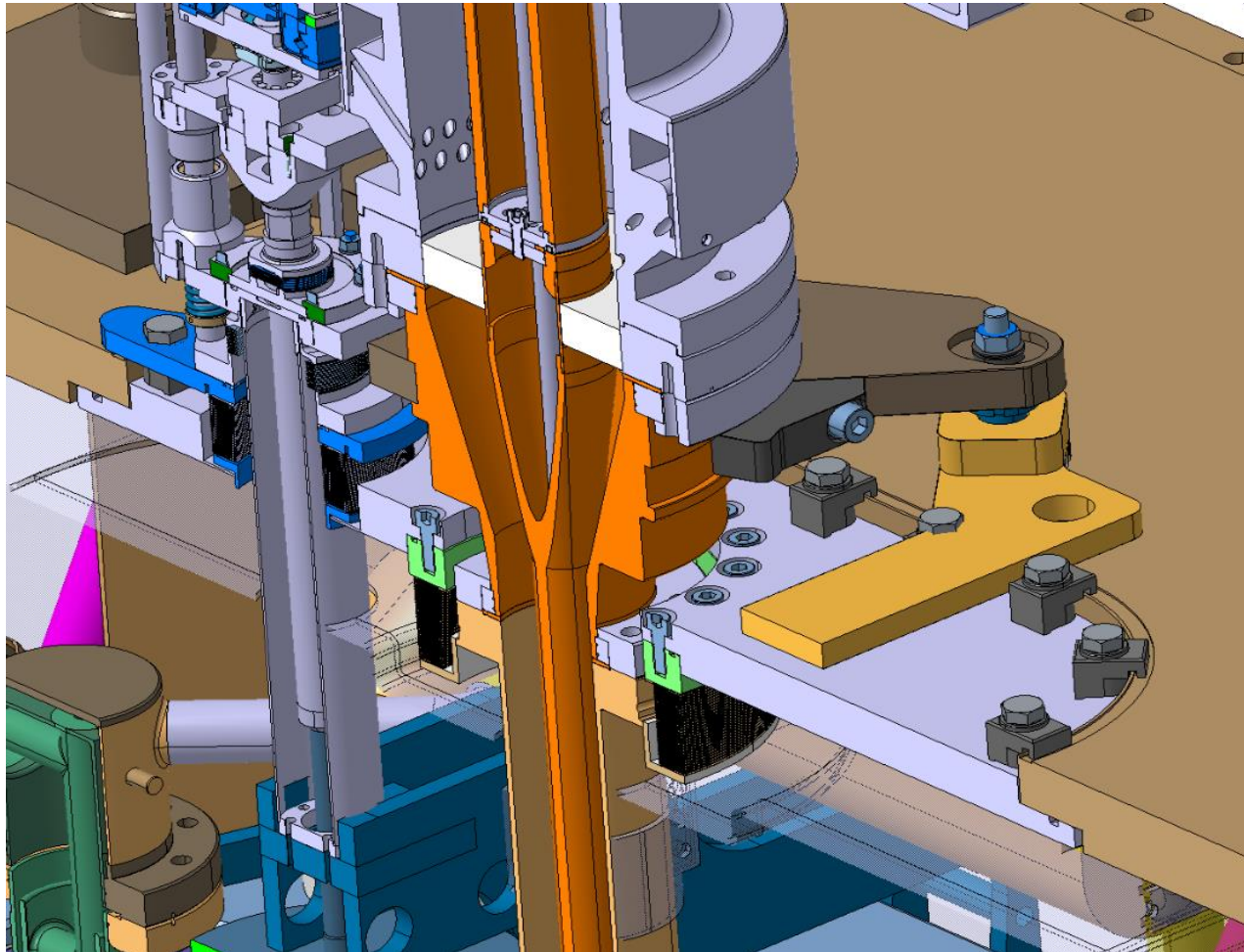


FPC SUPPORT TOP TANK CRYOMODULE



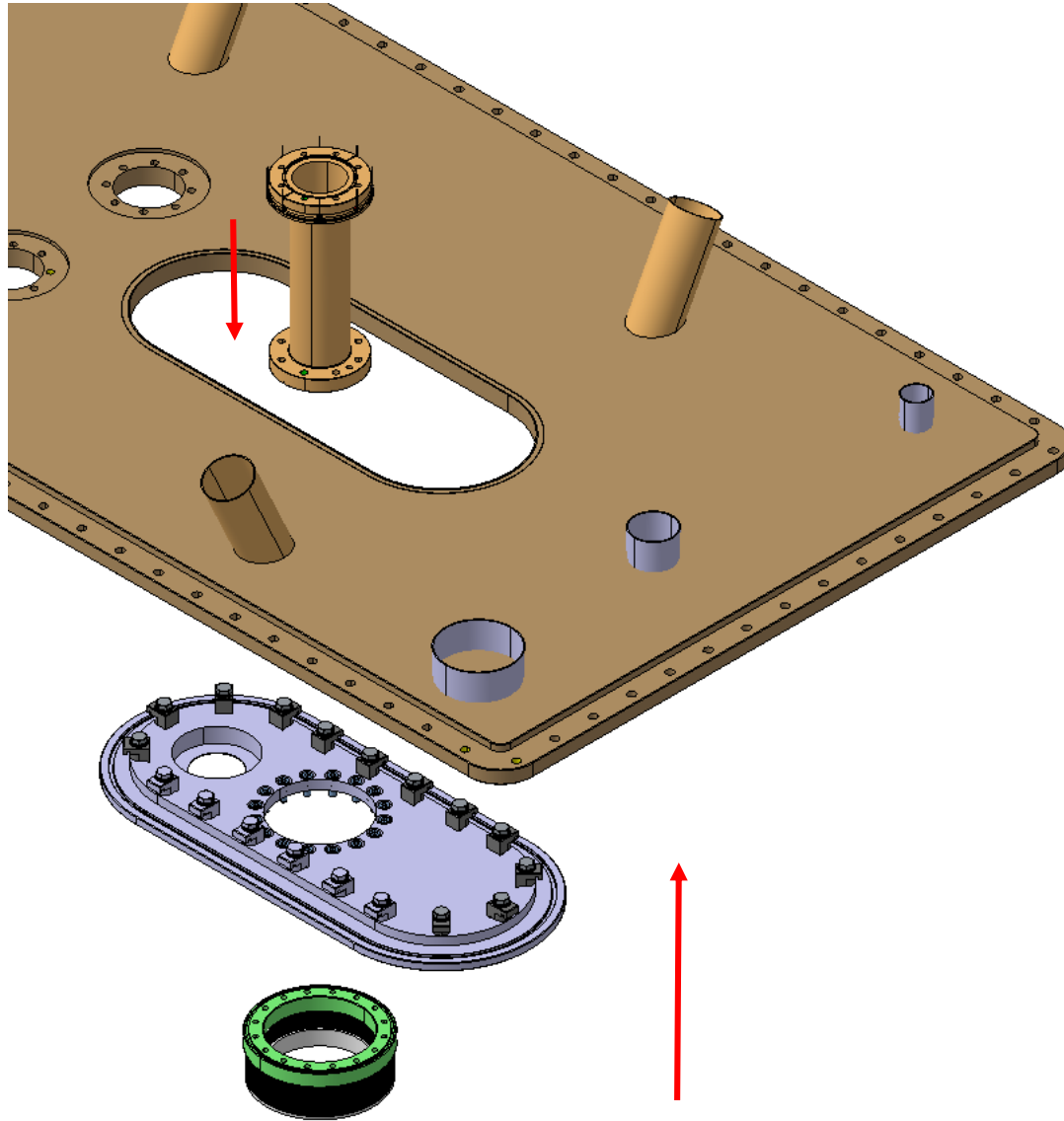
1st Solution

FIXATION TANK – CLAMP M10



BELLOWS $\varnothing 165 - 132.5$

FLANGE $\varnothing 170 - 125$



ADVANTAGE :

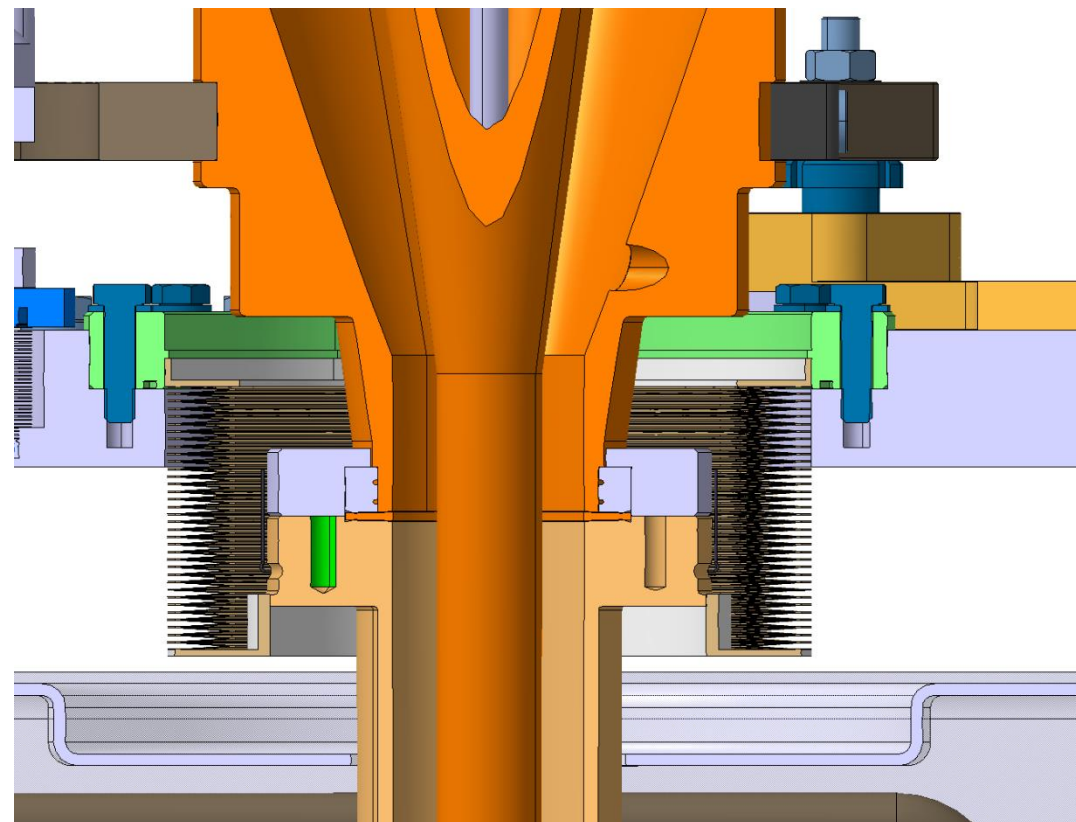
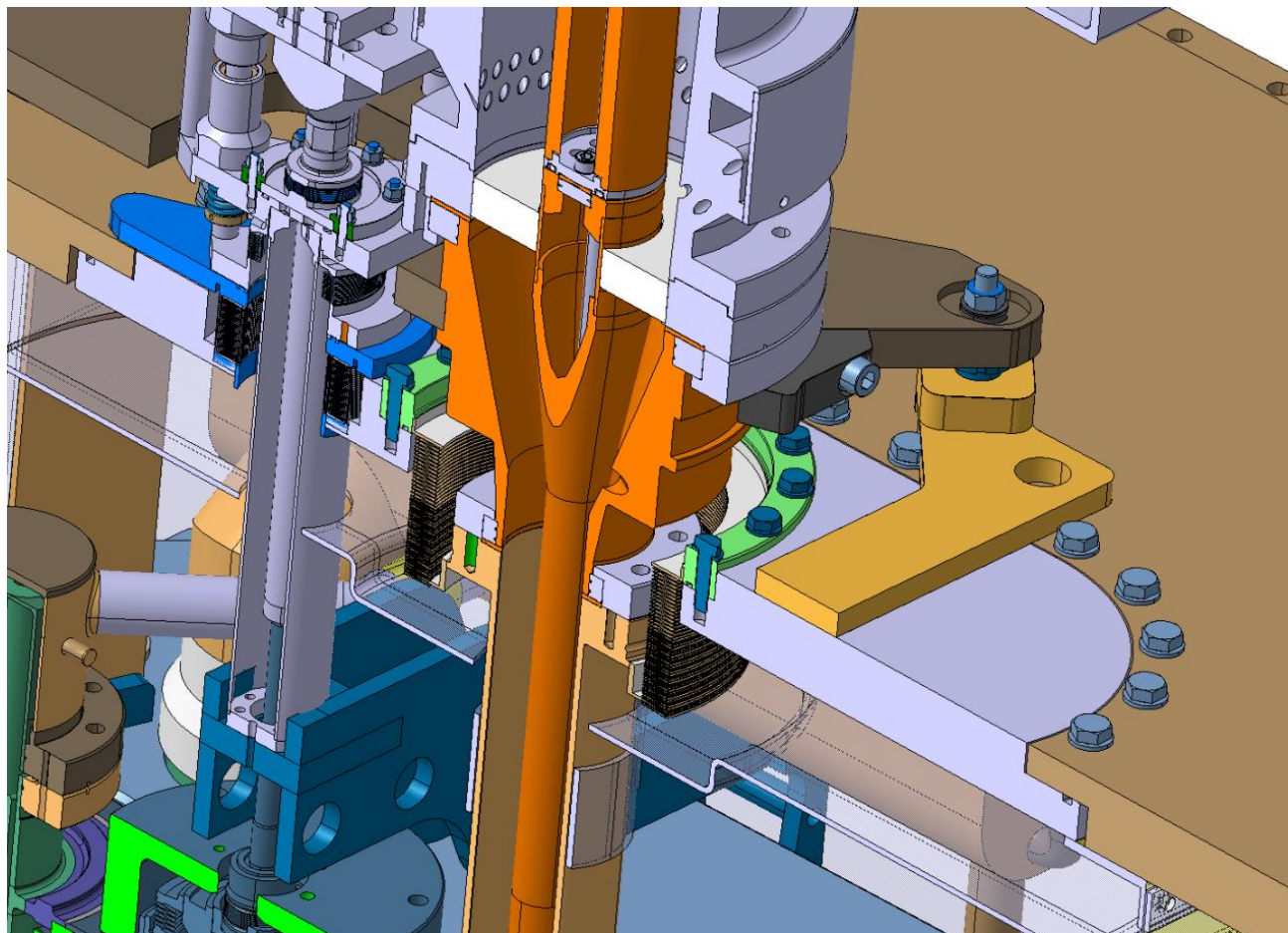
- Reduced size of GRAY PART
- Use a ISO CLAMP K

DISADVANTAGE :

- Assembly sequence harder
- Harder access to the FPC flange and HEATER

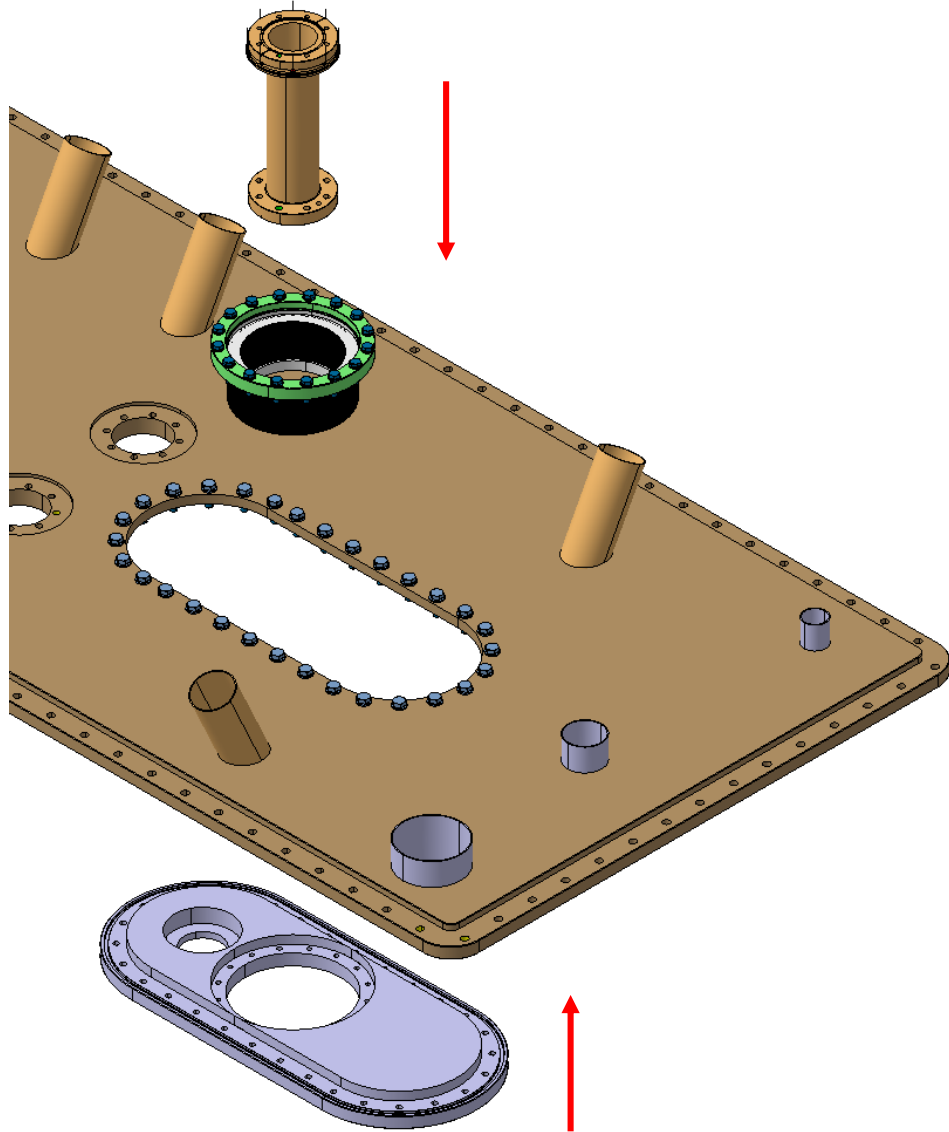
2nd Solution

FIXATION TANK – VIS M10



BELLOWS $\varnothing 165 - 132.5$

FLANGE $\varnothing 208 - 170$



ADVANTAGE :

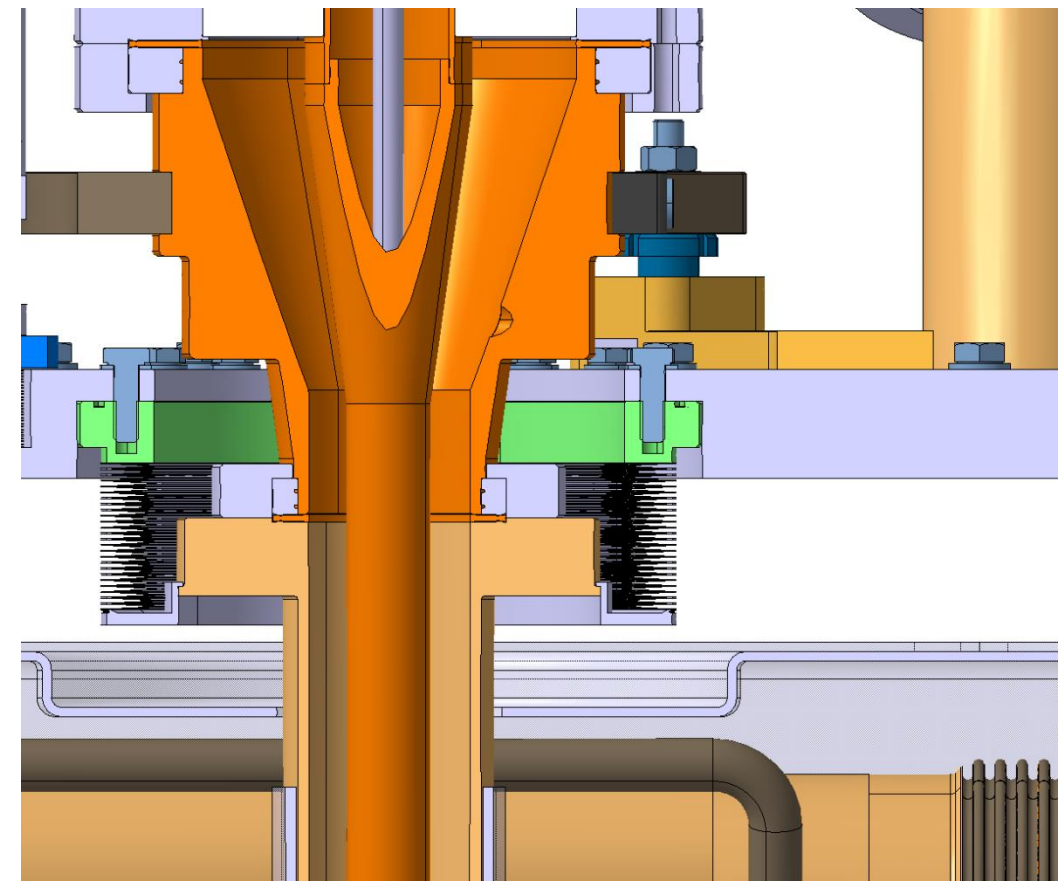
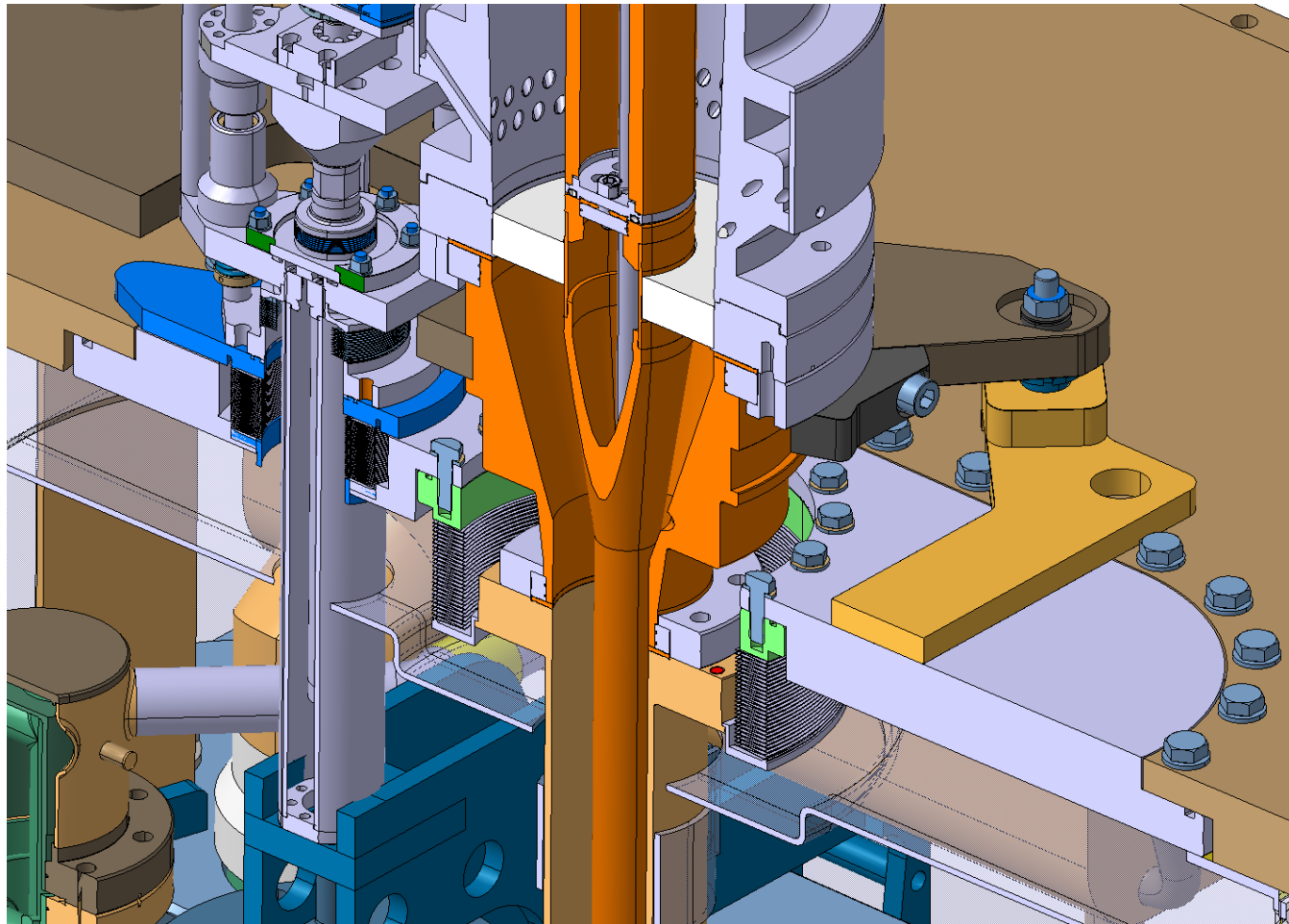
- Easier sequence for assembly

DISADVANTAGE :

- Harder access to the FPC flange and HEATER

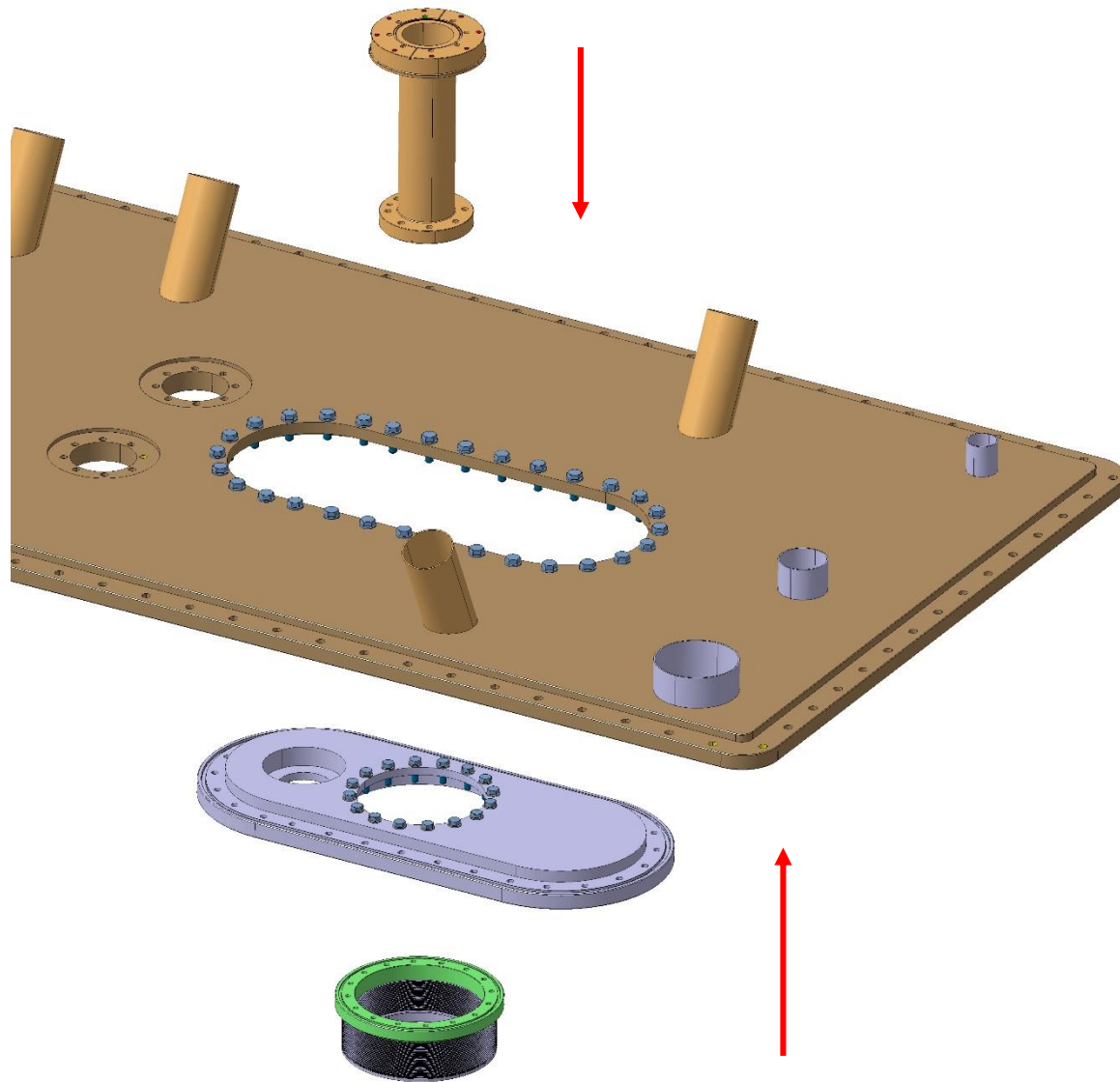
3th Solution

FIXATION TANK – VIS M10



BELLOWS $\varnothing 185 - 150$

FLANGE $\varnothing 202 - 155$



ADVANTAGE :

- Reduced BELLOWS size
- Easier access to the FPC flange and HEATER

DISADVANTAGE :

- Assembly sequence harder