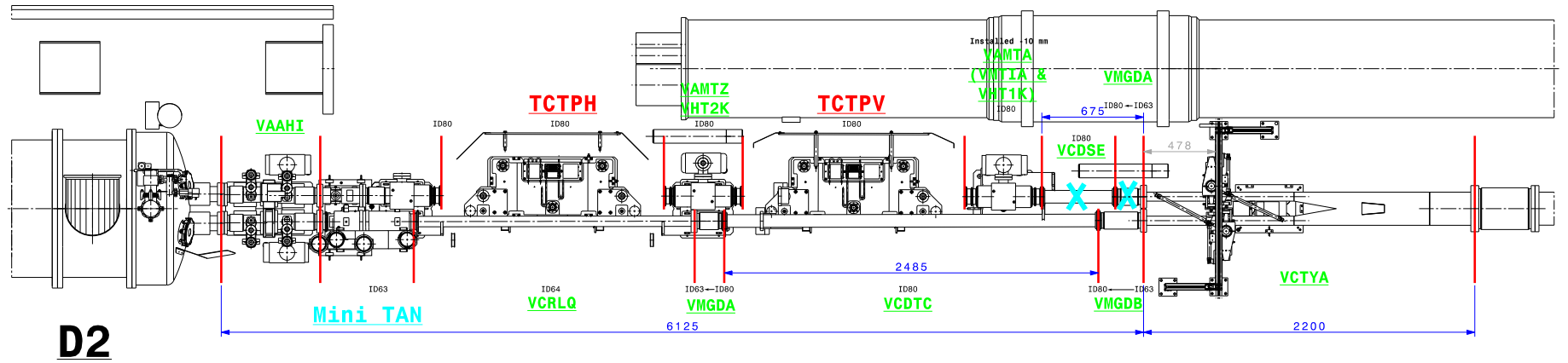
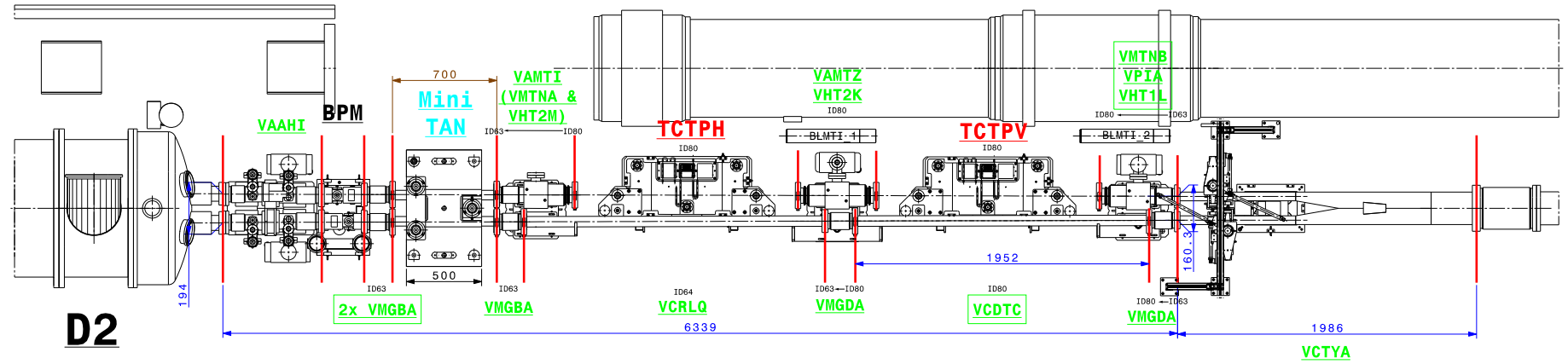


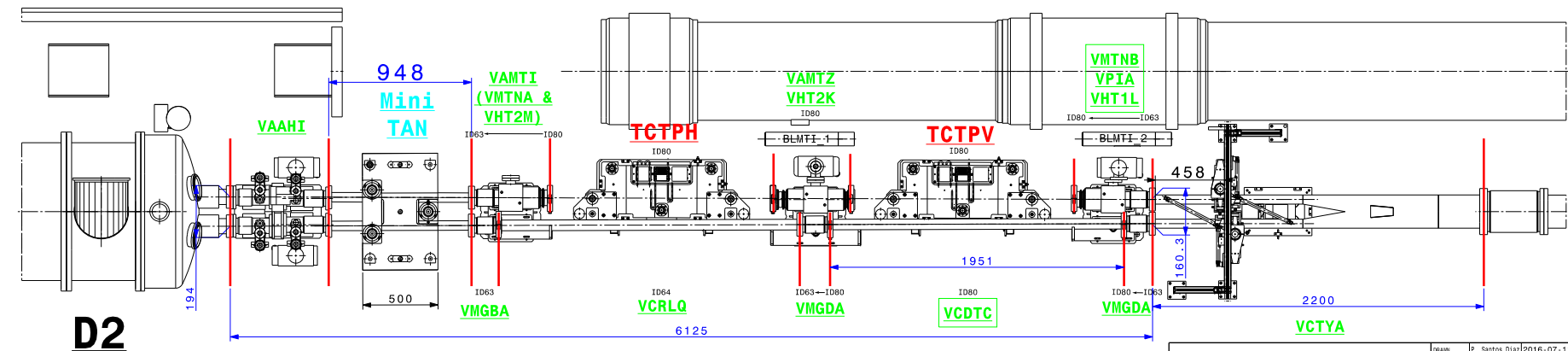
**ACTUAL LAYOUT**



**NEW LAYOUT (option 1)**



**NEW LAYOUT (option 2 no BPM)**



NOTE: layout under study.

Mini TAN integration LSS L8		SCALE	1:1	DRAN	P. Santos Diaz	2016-07-11
		CONTROLLED		RELEASED		
		APPROVED		CAD Document Number	ST0778037_02	
		REPLACES		SIZE	INT.	1
NON VALABLE POUR EXECUTION		SEC	-			
NOT VALID FOR EXECUTION						

ORGANIZATION: CONSTRUCTION, PUMP  
 DESIGN: INMATEC, THERMATEC  
 DRAWING: 2016-07-11, 15:00  
 REVISION: 01  
 PROJECT: ST0778037\_02  
 DRAWING: ST0778037\_02  
 SCALE: 1:1  
 SHEET: 1  
 TOTAL SHEETS: 1  
 THIS DRAWING IS NOT VALID FOR EXECUTION  
 THIS DRAWING IS NOT VALID FOR EXECUTION