



Underground Integration List V3.0

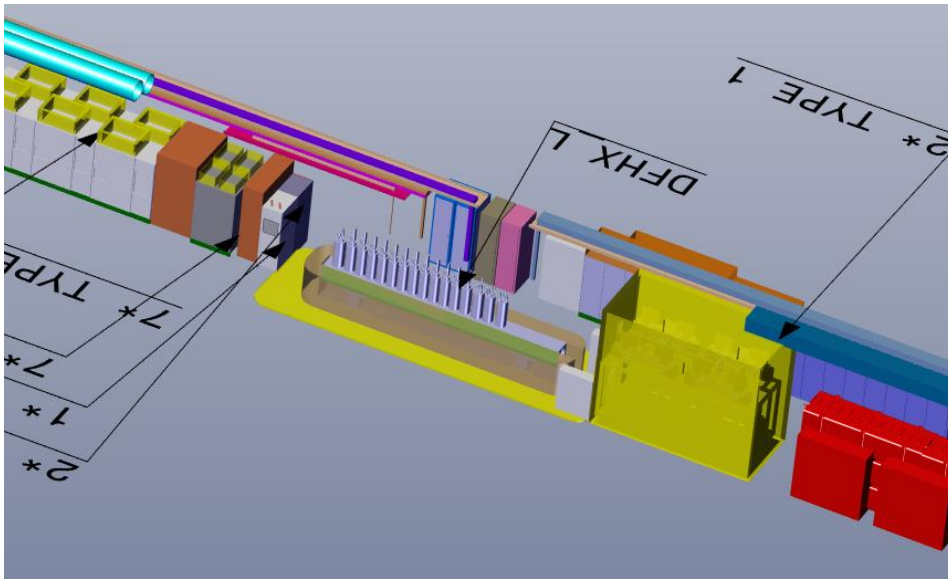
EDMS 1577001

Ignacio Zurbano Fernández
ATS-DO, WP15

23/09/2016

Excel integration list

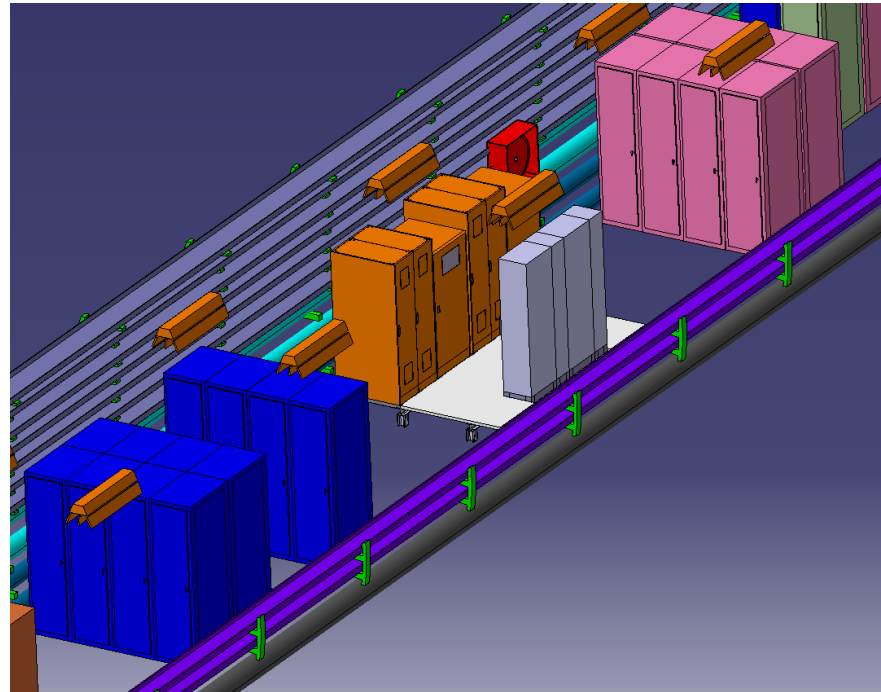
- Frozen integration model 9/2016
- ~~498~~ → 358 elements
- Color according to Catia model



PC TYPE 4 2KA / 10V	ST0686309_01	ST0686309_01.10
PC TYPE 4 2KA / 10V	ST0686309_01	ST0686309_01.12
PC TYPE 4 2KA / 10V	ST0686309_01	ST0686309_01.11
PC TYPE 4 2KA / 10V	ST0686309_01	ST0686309_01.13
PC TYPE 4 2KA / 10V	ST0686309_01	ST0686309_01.9
PC TYPE 4 2KA / 10V	ST0686309_01	ST0686309_01.15
RACK DYPE	ST0643029_01	ST0643029_01.9
RACK DYPE	ST0643029_01	ST0643029_01.16
RACK DYPE	ST0643029_01	ST0643029_01.2
RACK DYPE	ST0643029_01	ST0643029_01.3
PC TYPE 6 2X0.6KA	ST0619391_01	ST0619391_01.11
PC TYPE 6 2X0.6KA	ST0619391_01	ST0619391_01.9
PC TYPE 6 2X0.6KA	ST0619391_01	ST0619391_01.12
PC TYPE 6 2X0.6KA	ST0619391_01	ST0619391_01.8
RACK DYPE	ST0643029_01	ST0643029_01.4
RACK DYPE	ST0643029_01	ST0643029_01.12
PC TYPE 7 120A	ST0186602_01	RYLB04.3
PC TYPE 5 600A / 10V	ST0186528_01	ST0186528_01.1
RACK	ST0040665_01	BY01.5
RACK	ST0040665_01	BY01.2
RACK	ST0040665_01	ST0040665_01.1
DFHXI	ST0247898_01	ST0247898_01.2
RACK	ST0040665_01	ST0040665_01.1
PC RACK CALIBRATION	ST0247279	ST0247279_01.2
PC RACK CALIBRATION	ST0247279	ST0247279_01.6
PC TYPE 1 16.5KA/20V	ST0686322_01	ST0686322_01.3
ENERGY EXTRACTION	ST0705673_01	ST0705673_01.4

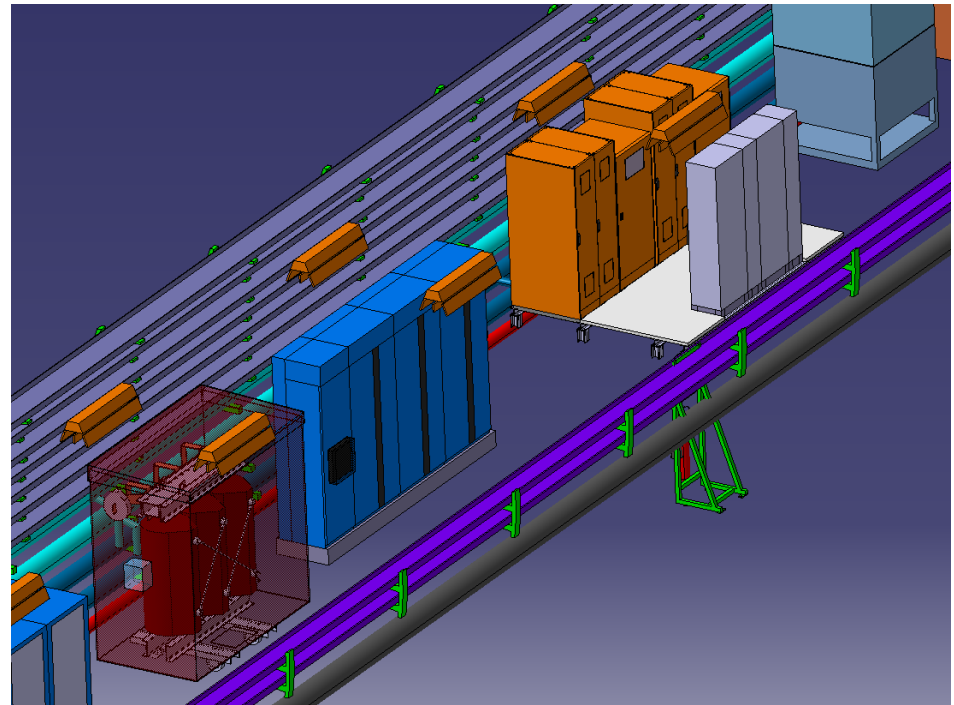
What's new?

- Racks: ~~231~~→141
 - UR
 - Dype: -8
 - Spare: +8
 - Cliq:-32
 - Vacuum: +1
 - Faraday cage:-4
 - UAs:
 - SSA: -12
 - CAV: -48
 - PLC: +8
 - US
 - Spare: -8
 - IT: -2



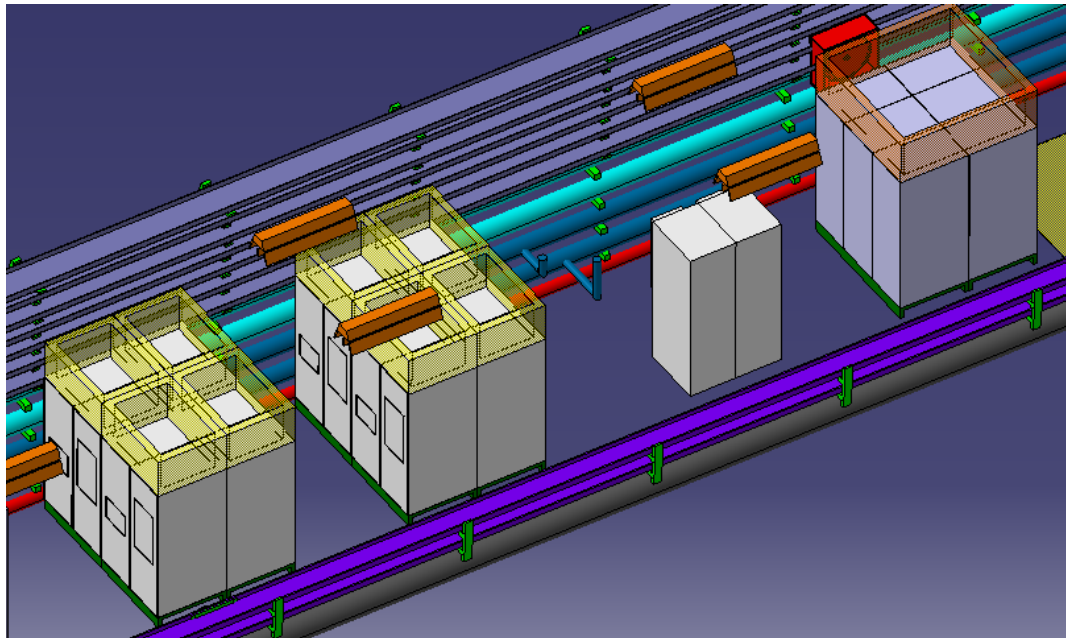
What's new?

- Electrical equipment
 - Transformers: ~~4x 3MVA~~ → 6x 1.25 MVA
 - ~~ERD11/15R: -2~~
 - HAZ: +10 (+8 UR, +2 US)
 - Spacial SF: +8
 - UPS: +2
 - Battery: -2
 - ~~EPDxx/57S.1: -1~~



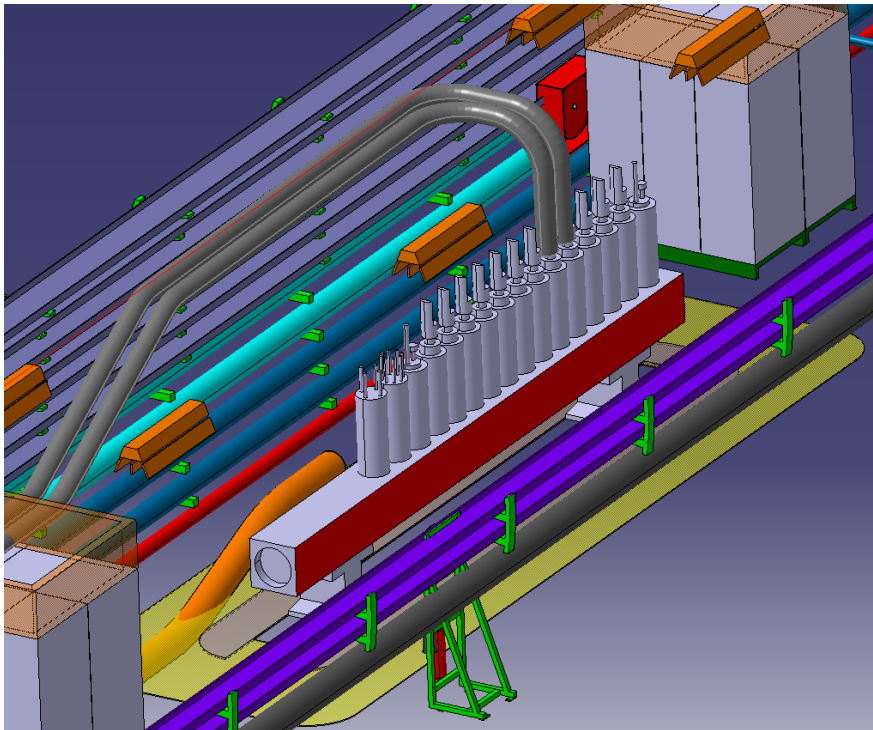
What's new?

- Power converters
 - ~~PC TYPE 3 6KA: -12~~
 - PC TYPE 4 2KA / 10V: +2
 - PC TYPE 5 600A / 10V: -6
 - ~~PC TYPE 6 2X0.6KA: -8~~

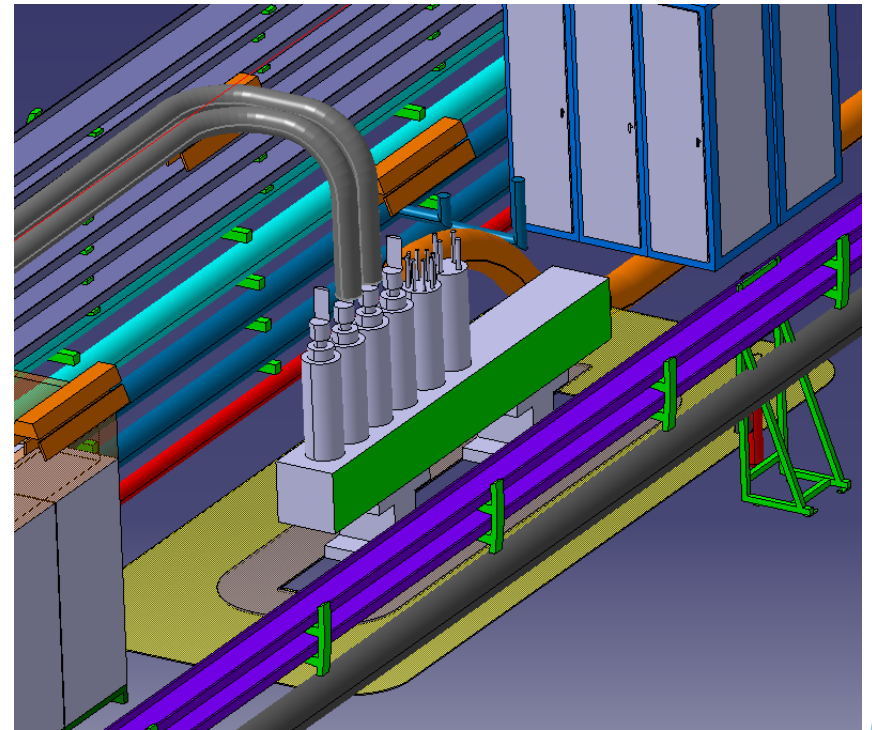


What's new?

- Special Technical equipment
 - DFHMI, DFHMJ: $11.2\text{m}^2 \rightarrow 6.7\text{ m}^2$



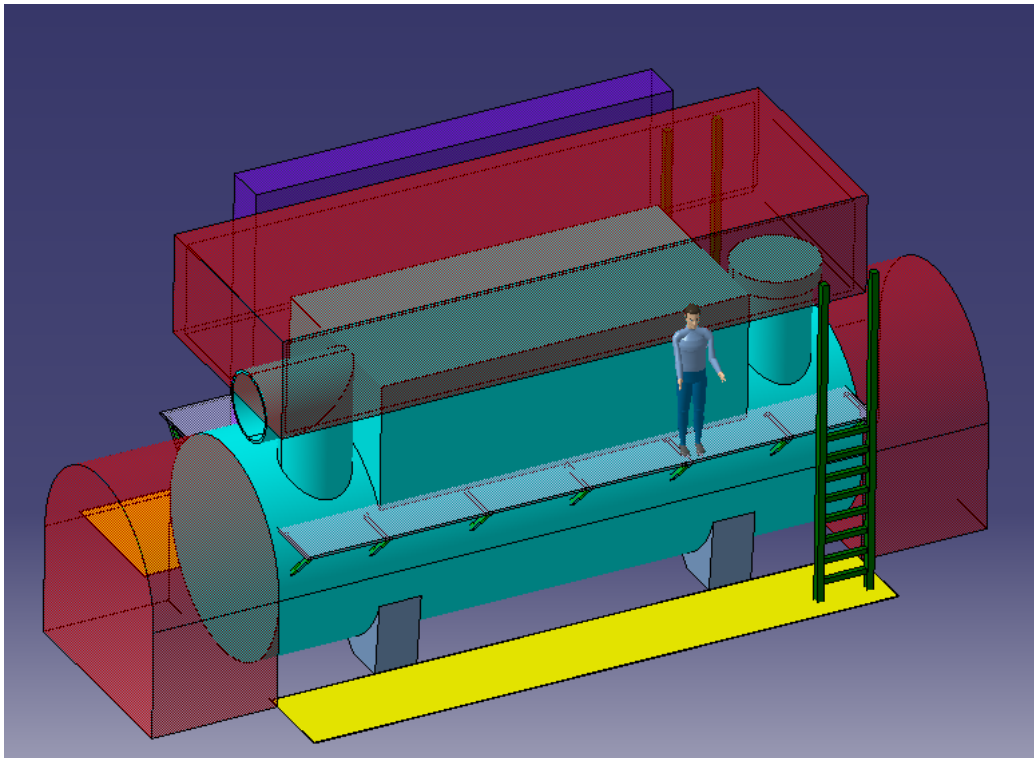
DFHX



DFHM

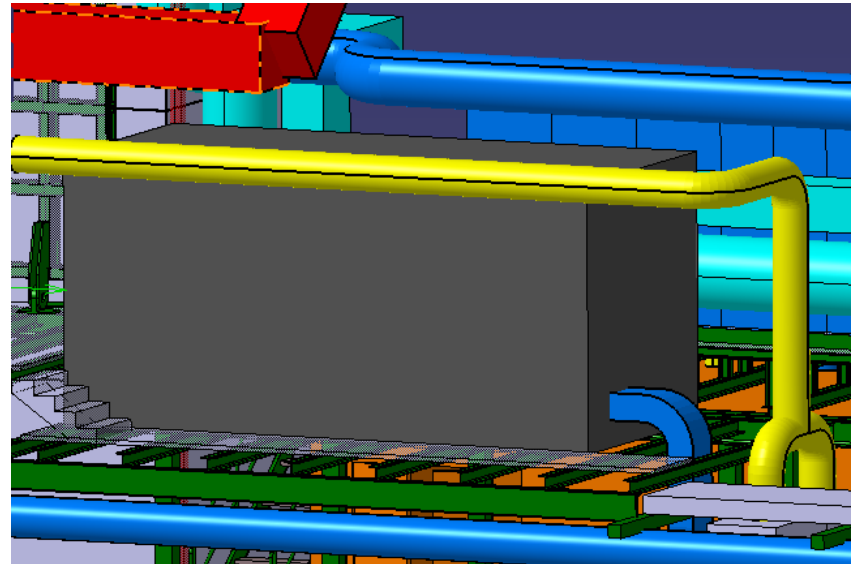
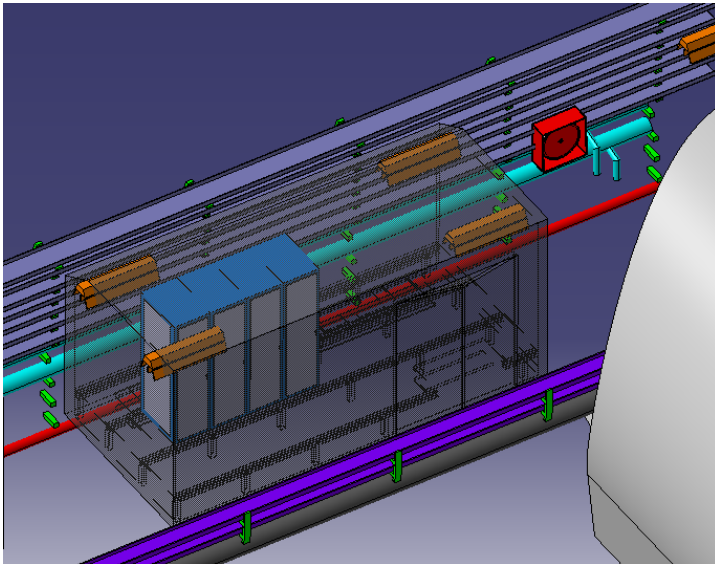
What's new?

- Special Technical equipment
 - Cold box:
 - Diameter ~~1.5m~~ → 1.25m
 - Reserved space: ~~14m²~~ → 27 m²



What's new?

- Special Technical equipment
 - Faraday cages
 - UR15: ~~9.74 x 3.6~~ → 6.2 x 3.9
 - US17: ~~7.24 x 3.54~~ → 6.2 x 2.9
 - Diameter ~~4.5m~~ → 1.25m
 - Reserved space: ~~14m²~~ → 27 m²



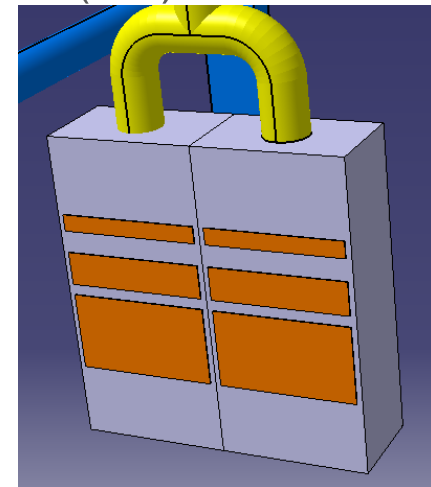
What's new?

CV equipment

~~AHU end of UR~~

Size reduction of AHUs:

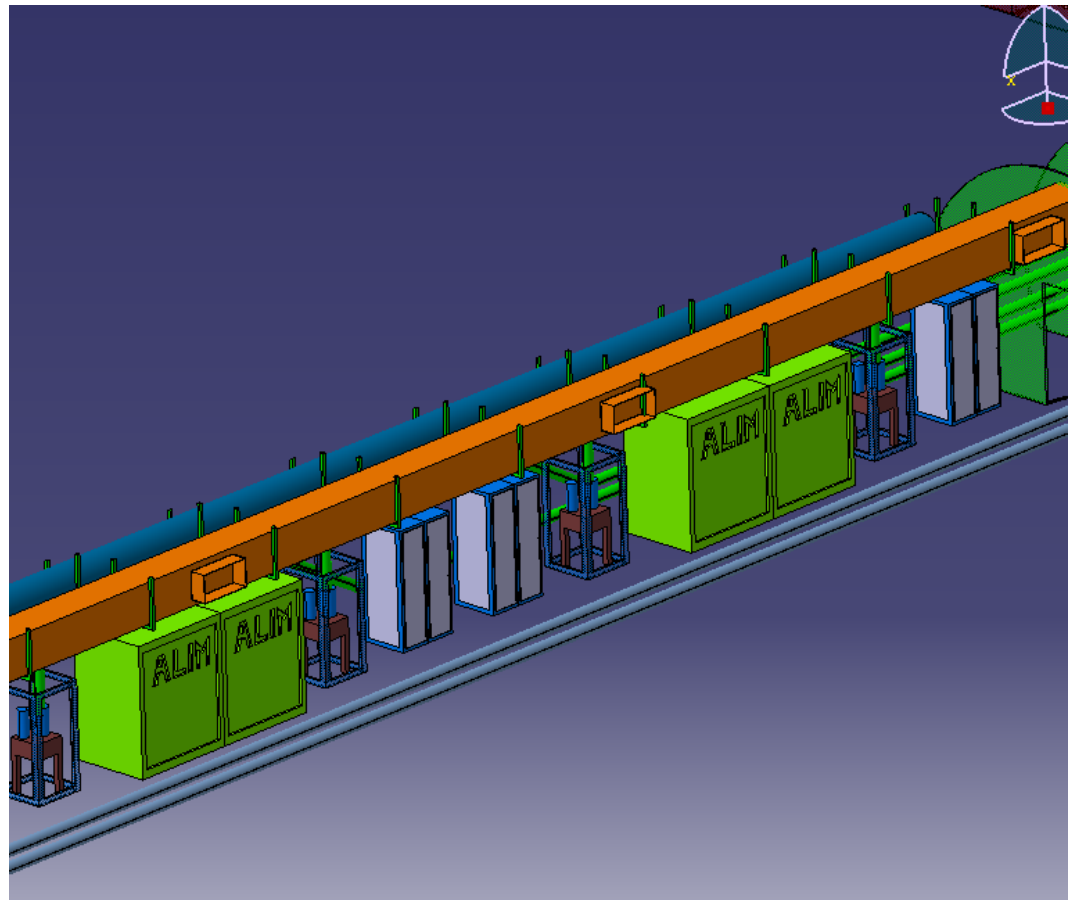
- UR15: AHU 7500 m³: ~~1.5x1.5 m~~ → 1.35x1.35 m
 - US17: ~~5.5 x 2.2~~ → 5x1.96
 - UA17: ~~5.5 x 2.5~~ → 4 x 1.65
 - UW17: ~~5.5 x 2.2~~ → 4 x 1.345
 - Saferoom: ~~5.5 x 1.65~~ → 2 units 1.345 x 0.83 (one in US)
 - Faraday cage: ~~5.5 x 1.4~~ → 2 units 1.345 x 0.83 (US)
- AHU UA13: ~~UR15~~ → UA13
 - Control room: ~~6 x 3.5~~ → 5 x 3.5
 - Hydraulic equipment:
 - Heat exchanger NX150X 3600kW: -1
 - Pump 434m³: -2
 - Demineralizer 200: -2



What's new?

RF

- Racks: -26 / UA (-6 SSA, -24 CAV, +4 PLC)
- IOT: +4
- Alimentation: +4
- ~~Tetrodes: -8~~
- Circulators: -3
- ~~Rescue chamber~~



What's new?

RF

- Racks: -26 / UA (-6 SSA, -24 CAV, +4 PLC)
- IOT: +4
- Alimentation: +4
- ~~Tetrodes: -8~~
- Circulators: -3
- ~~Rescue chamber~~

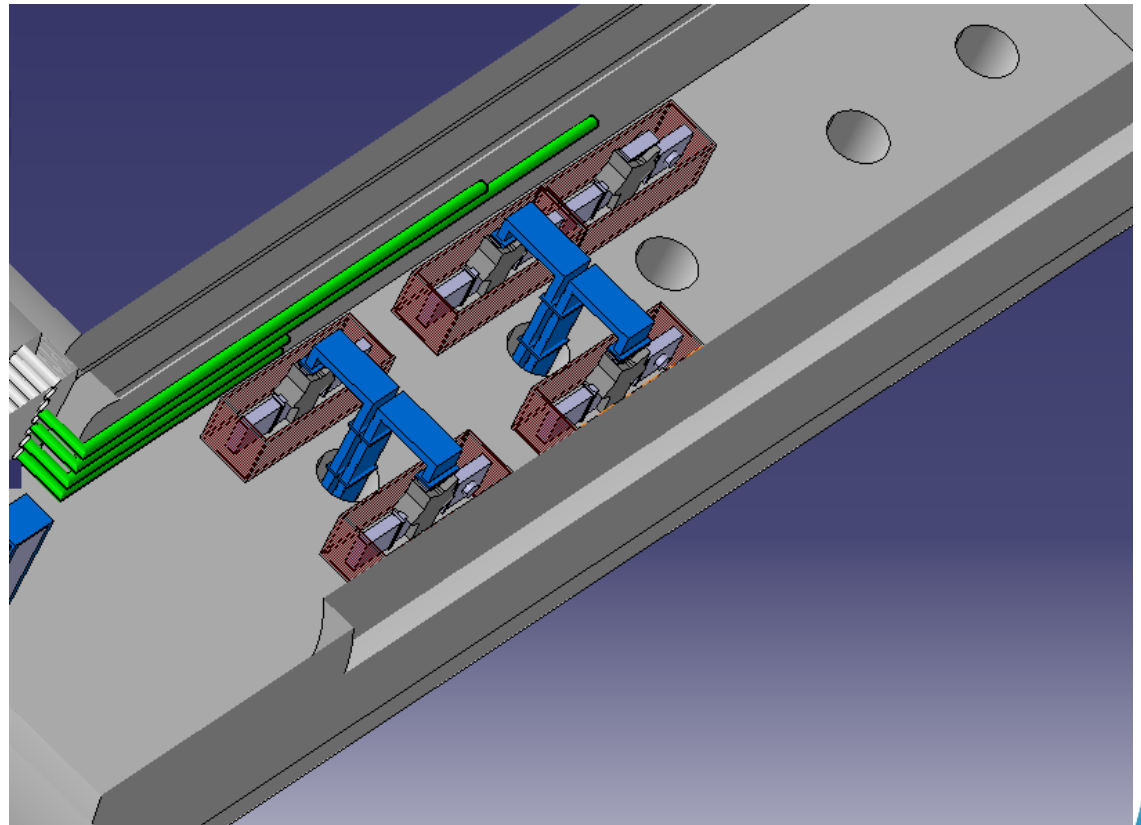


Table columns

- Equipment list
- Catia BOM Definition (Assembly instance name)
- Narrative description
- SmarTeam data
 - ST Number
 - Instance name
- Similar elements(N... of)
- Coordinates
- Building
- Surface
 - Equipment
 - Reserved
- Owner
 - Group
 - WP
- Definition