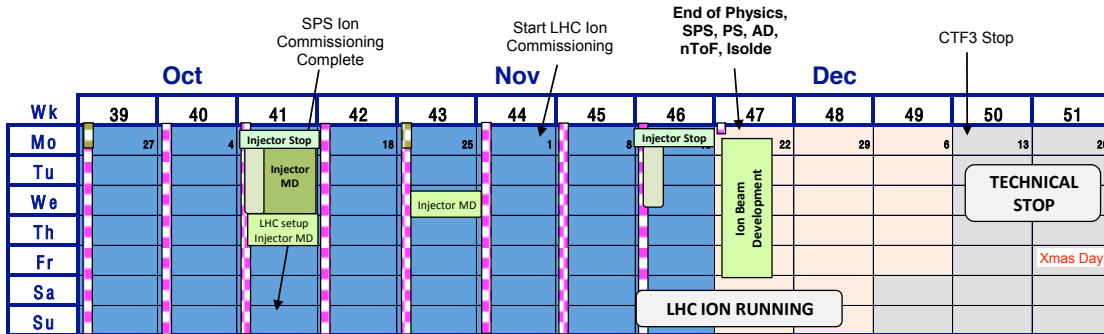
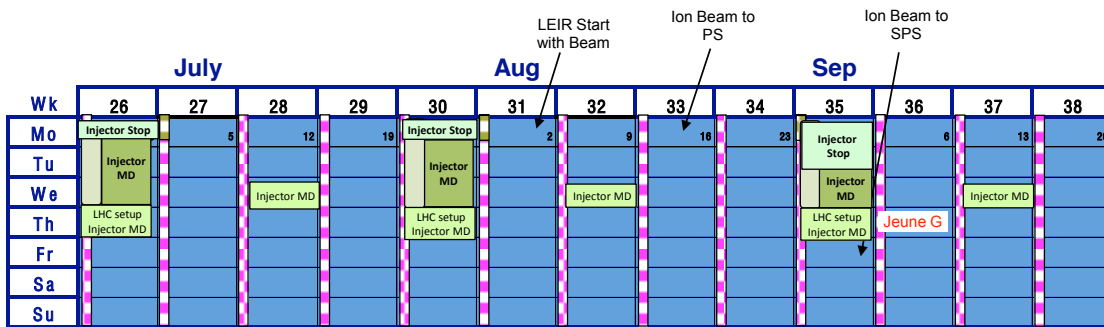
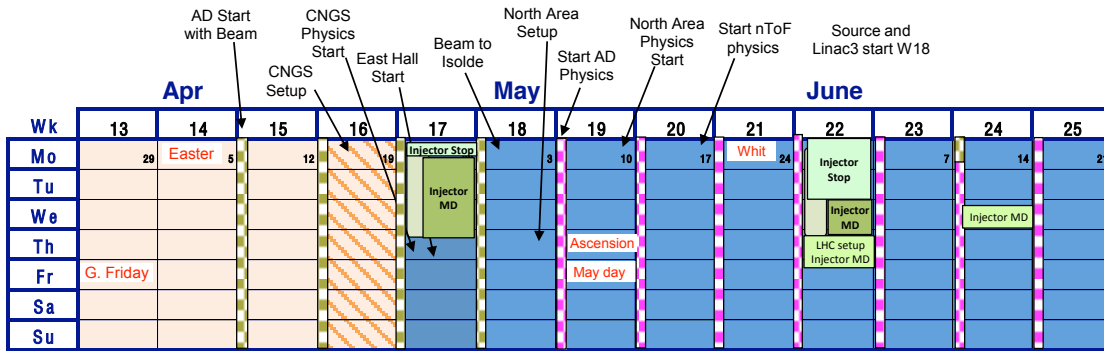
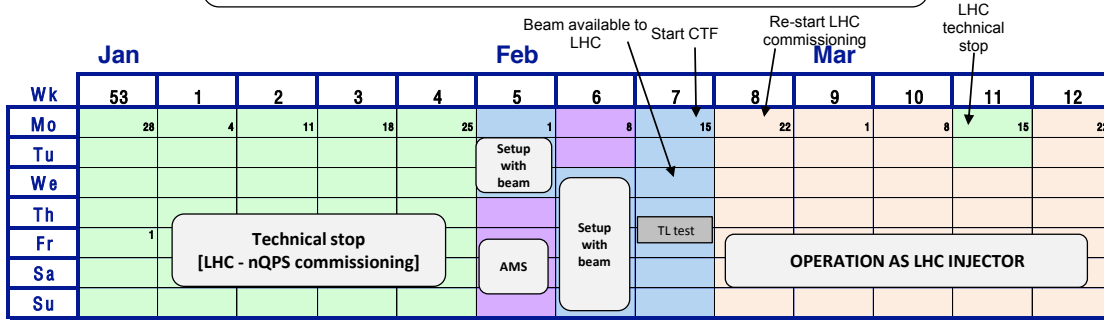


# 2010 Injector Accelerator Schedule

Approved by the research board December 2009



- Injector Complex MD Block
- Injector Stop Technical stop for the Injector Chain
- Injector MD Floating injector MD - LHC beam has priority
- LHC technical stop
- AD Physics
- AD Setting-up & Studies