

# ARCON-RAMSES-BRIDGE

Implementation sequence

G. Segura Millan, M. Widorski



Moniteurs



**Châssis  
VME  
ARCON**

MIL 1553

S2MTCR  
SVMTCR

Ethernet

Ethernet

**LASER**

→ Alarmes



→ Interlocks

**Serveur HP**  
(HPUX 10.20)  
RADMAIN GRAPH XRP2

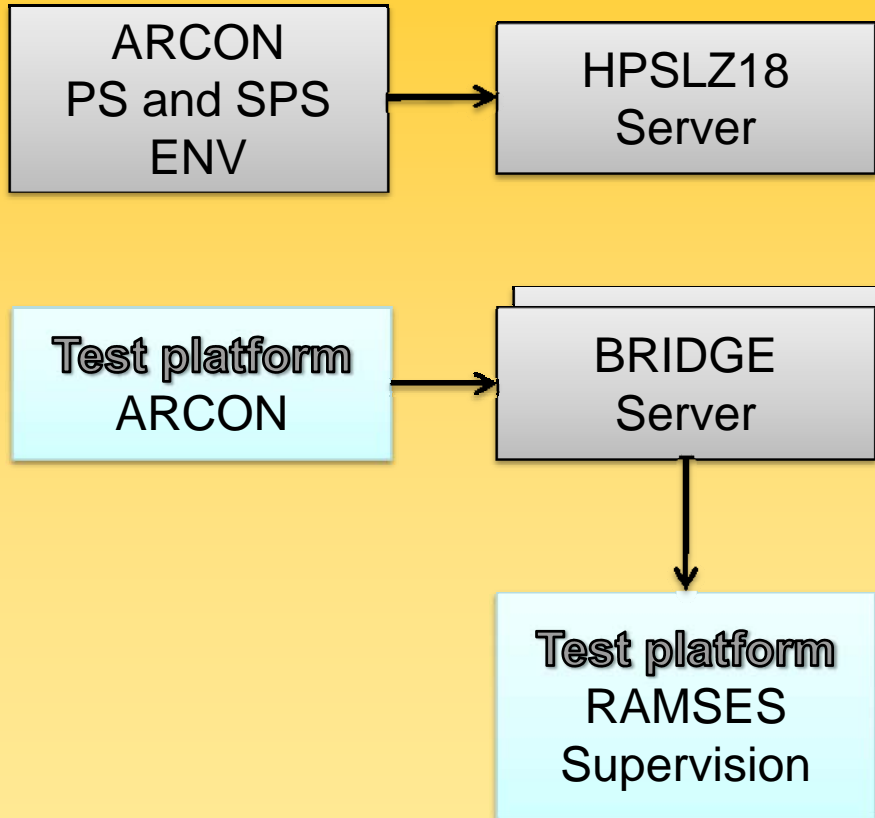


**Interface  
ARCON  
RAMSES**

**Serveur  
Supervision  
RAMSES**



# RADIATION Phase 1

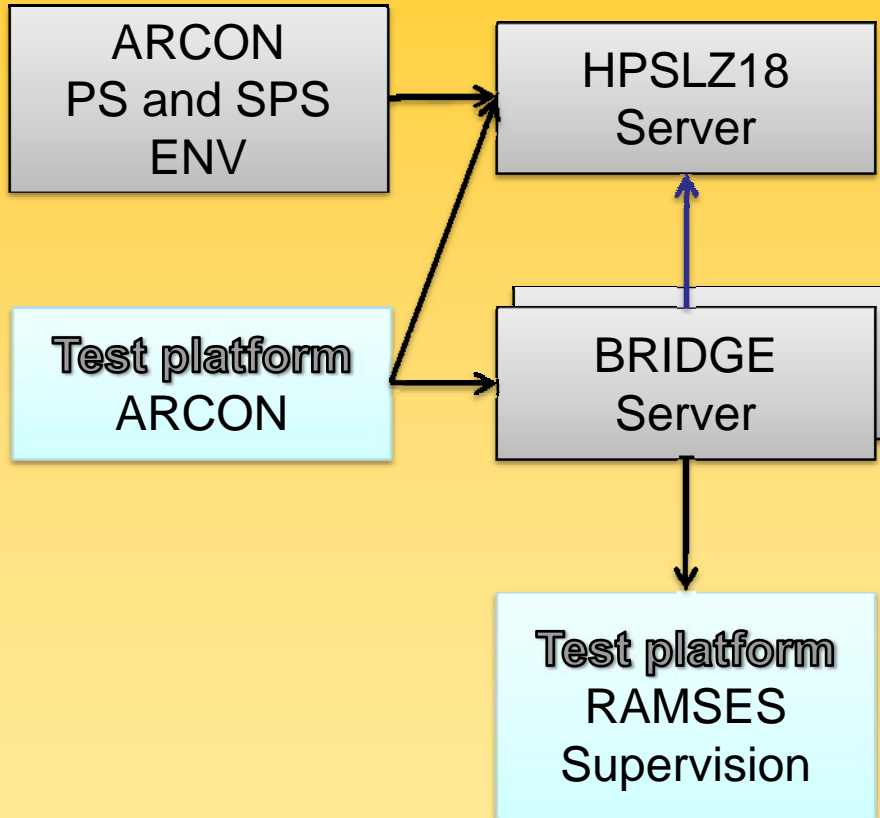


Current configuration

Implemented



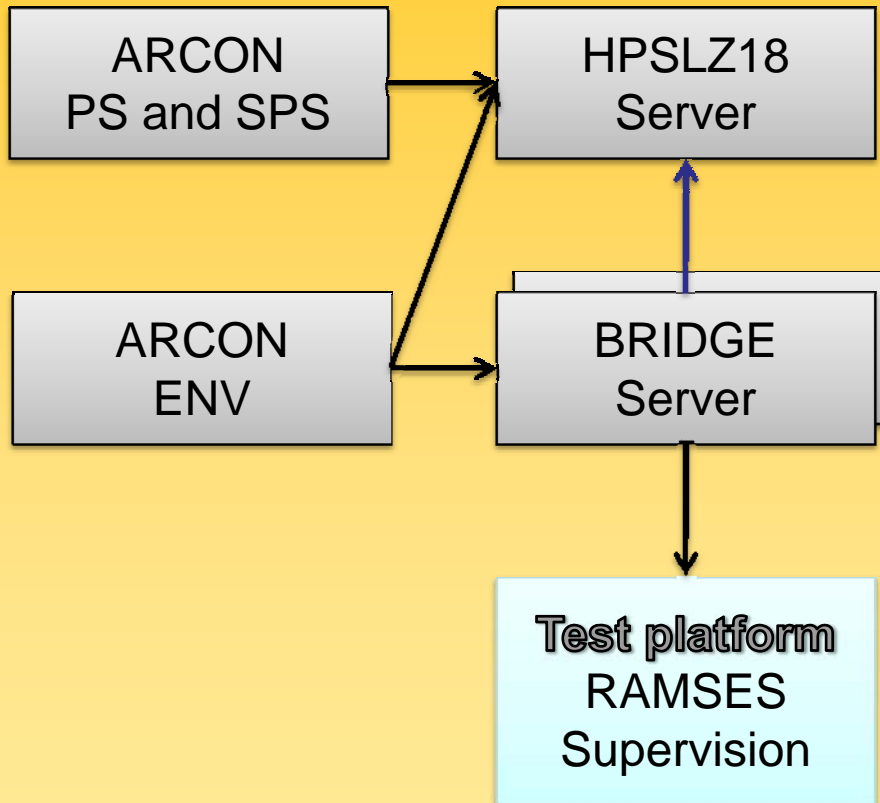
# RADIATION Phase 2



Implemented



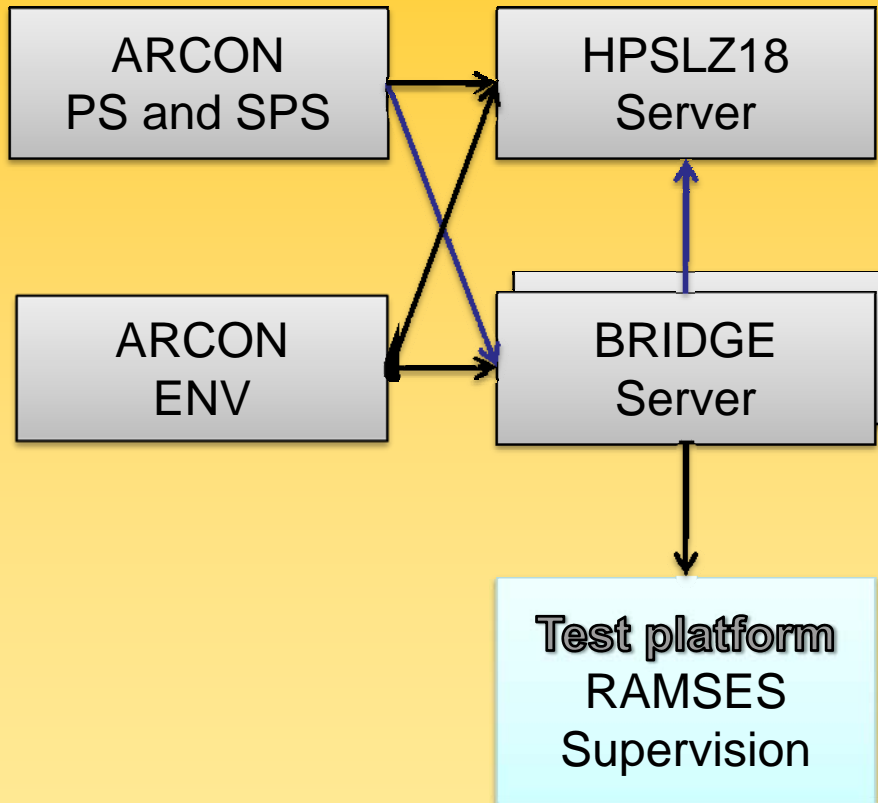
# RADIATION Phase 3



Swap ARCON TEST / ENV:  
Week 21



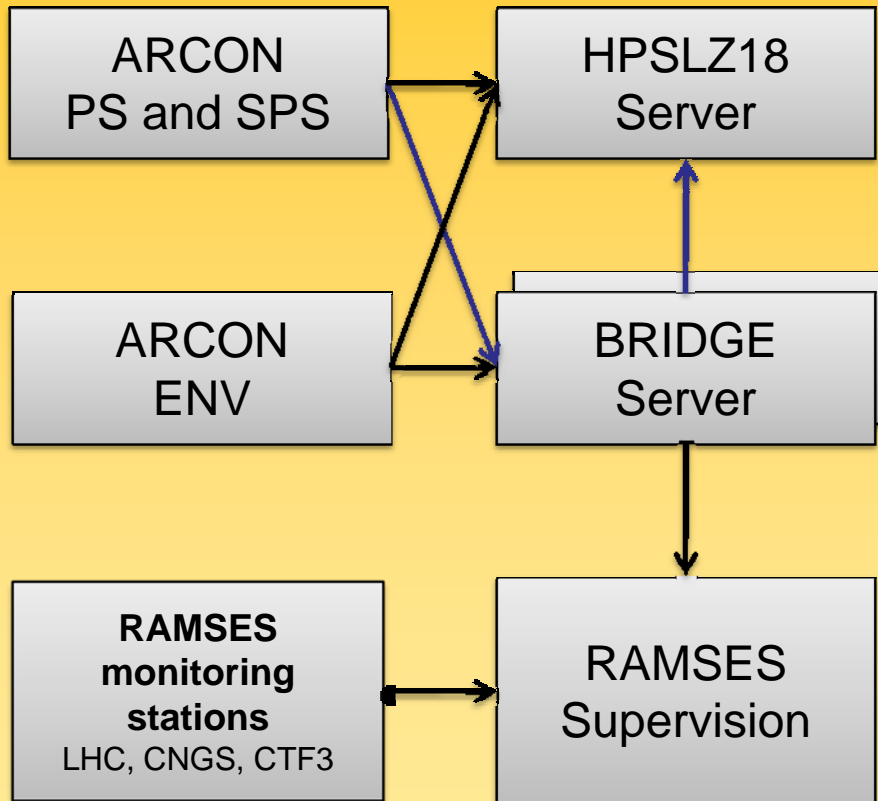
# RADIATION Phase 4



Connect ARCONs to BRIDGE  
Week 23



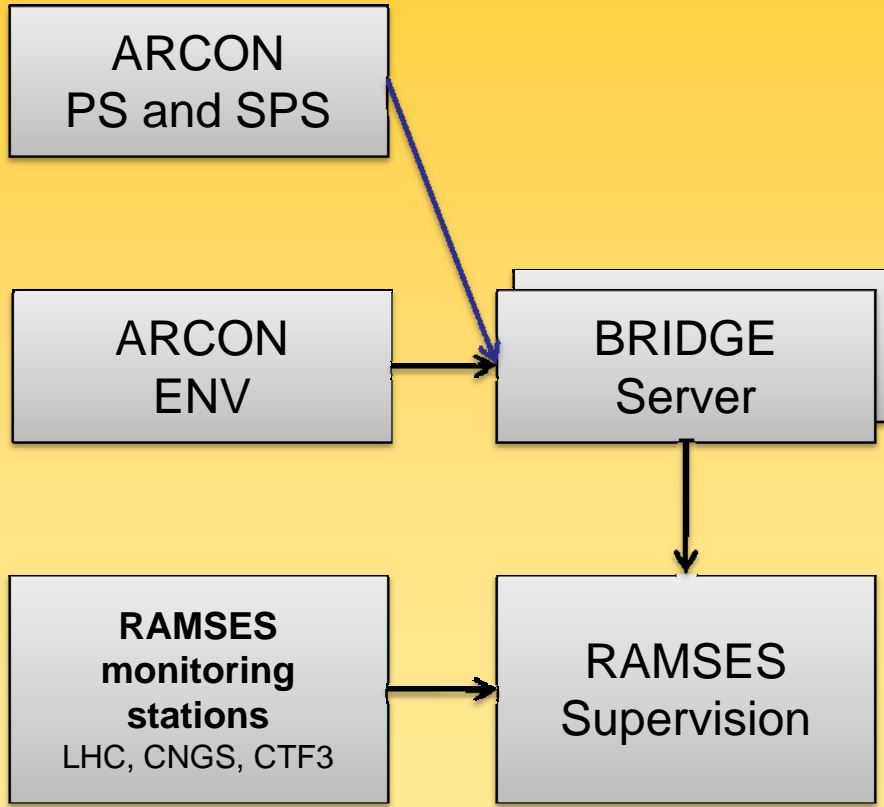
# RADIATION Phase 5



Swap Test platform to RAMSES:  
Week 23+



# RADIATION Final



Fade out HP  
Week ?