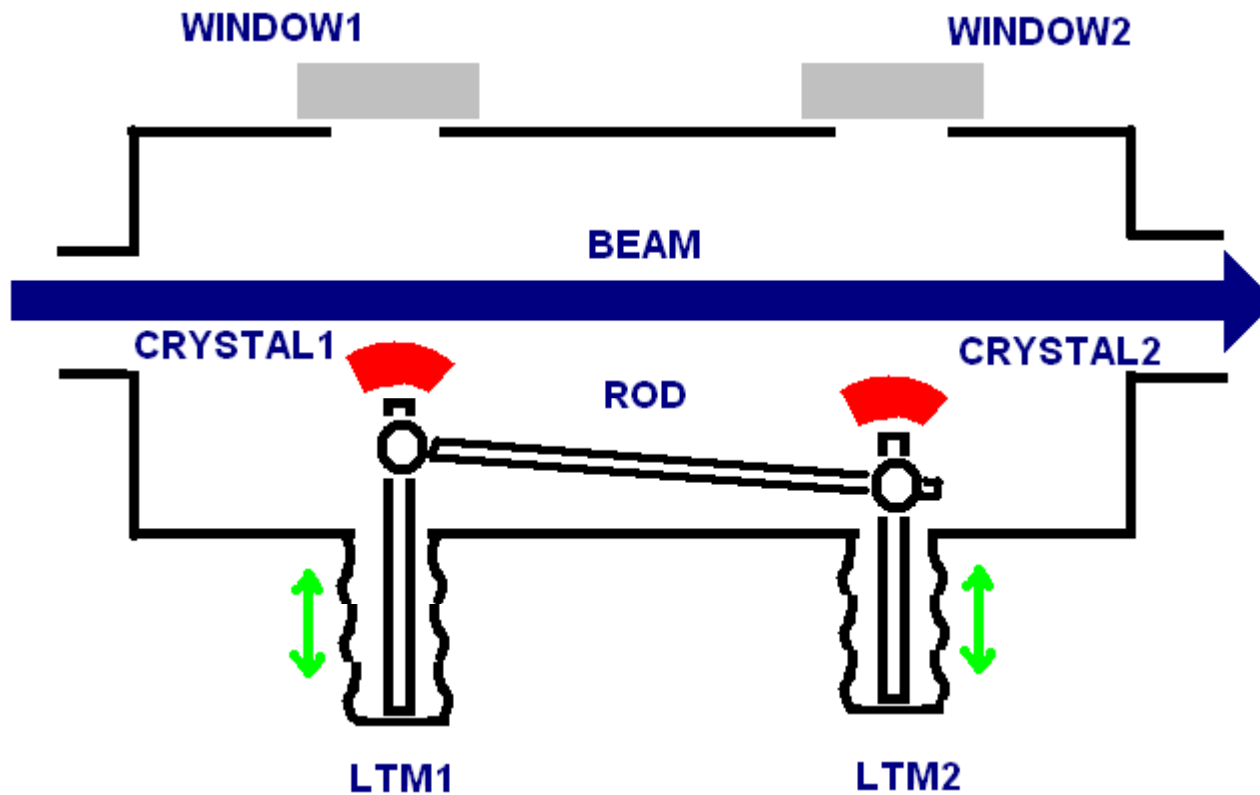


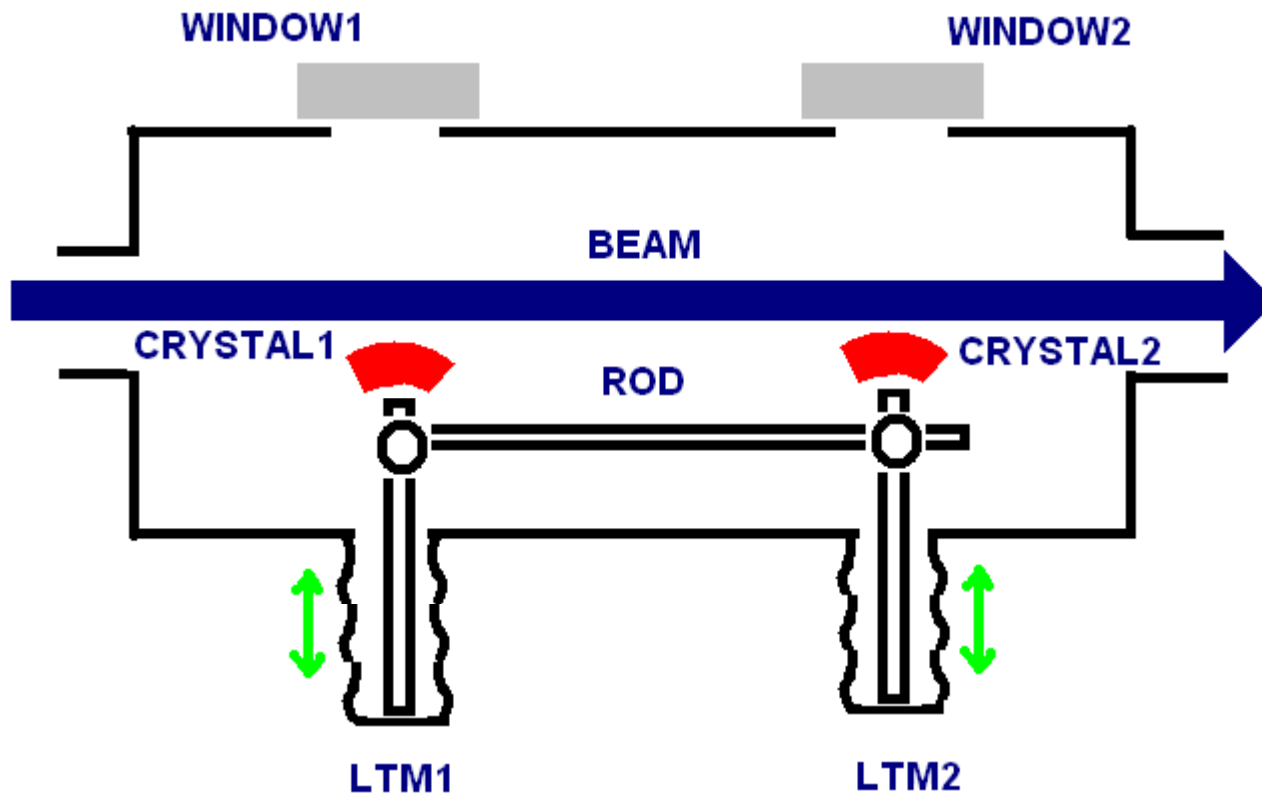
# New T980 goniometer

Main positive feature –  
two crystals inside !!!

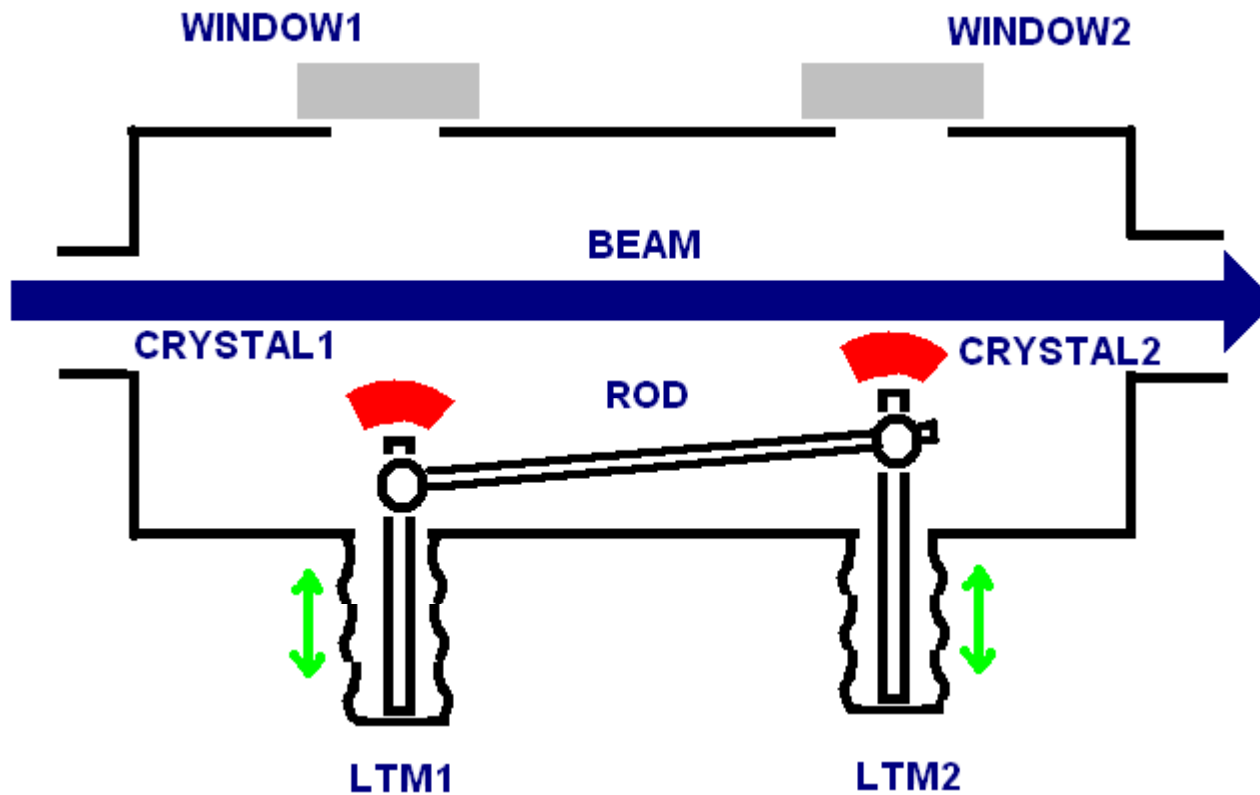
Principle of operation:  
position1: crystal1 on



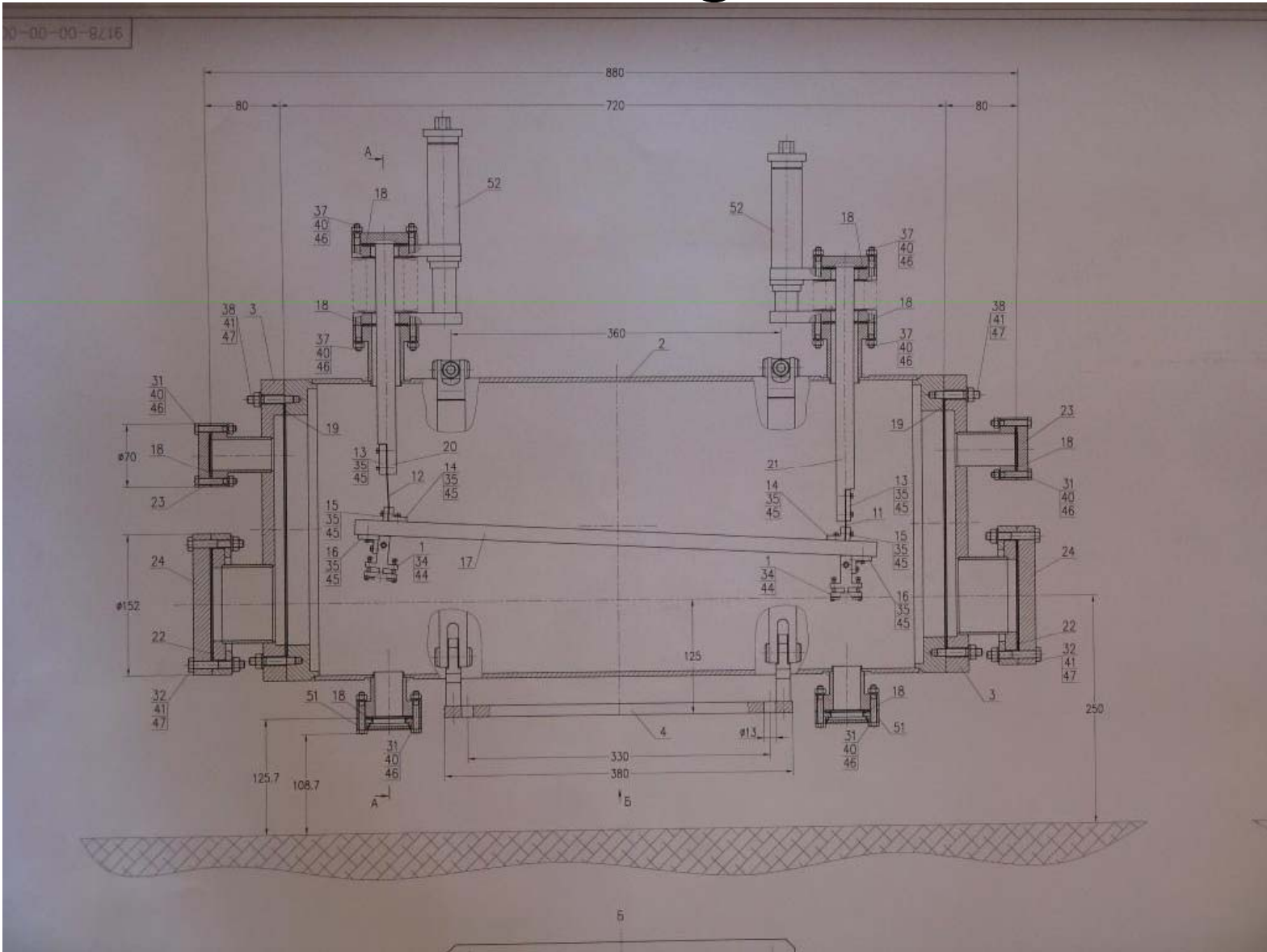
goniometer based on ZLTM details.



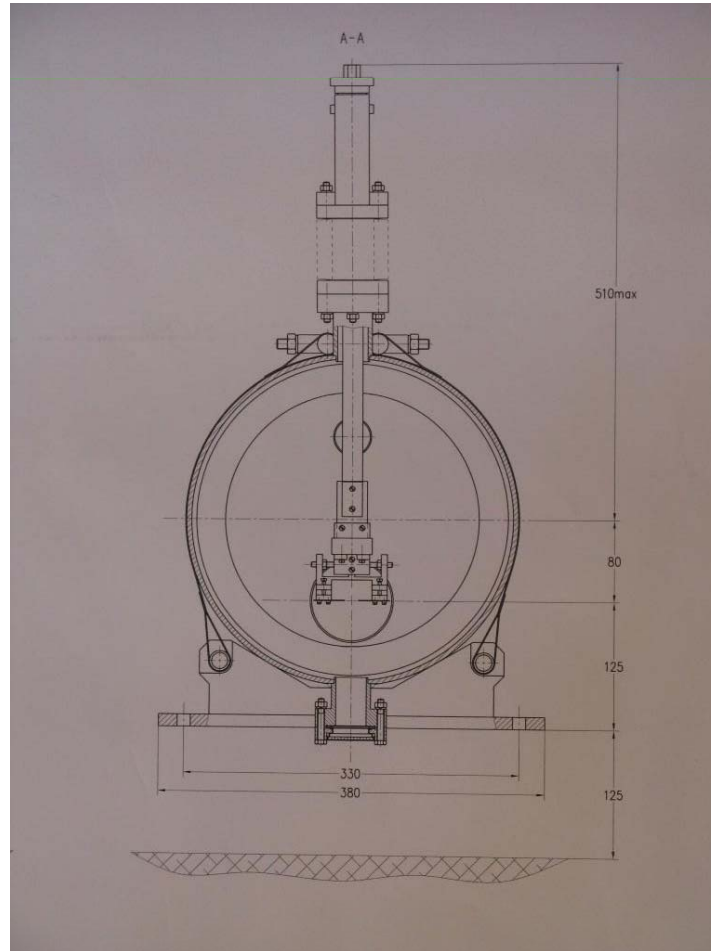
Principle of operation:  
position2: crystal2 on



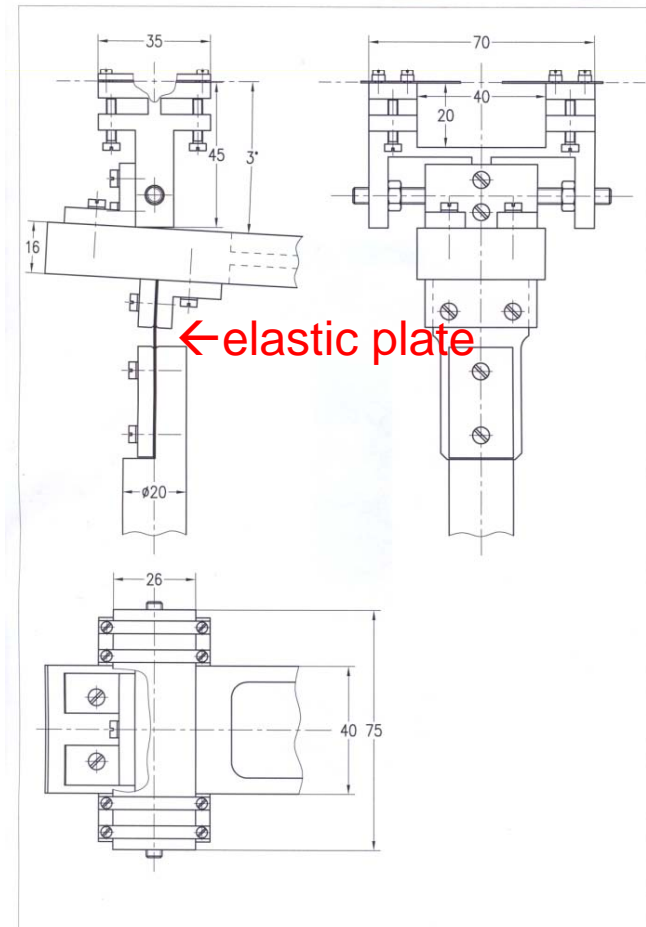
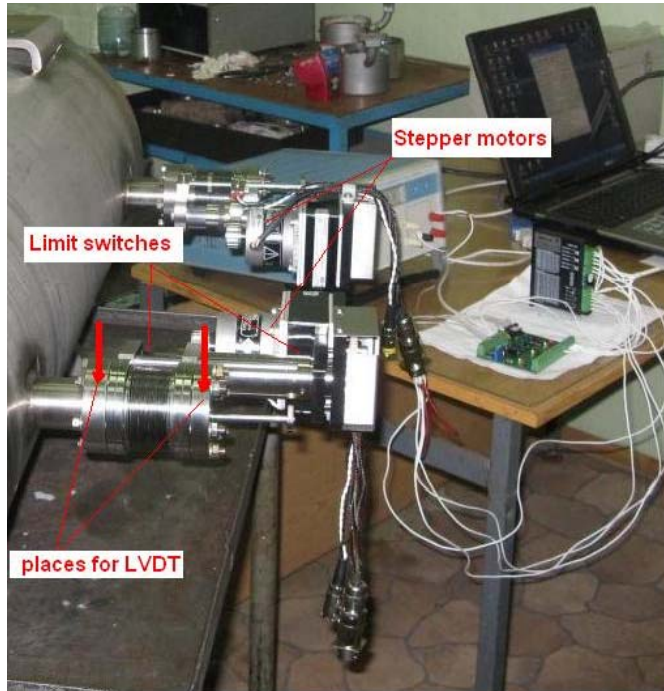
# Drawing-1



# Drawing-2



Linear step – 0.1 micron,  
angular step 0.2 microrad



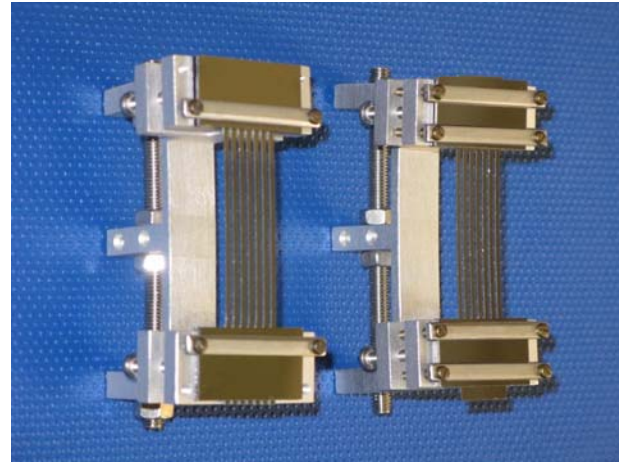
No friction details inside –rotation is based on elastic deformation of metal plate

Preliminary vacuum testing had been finished.

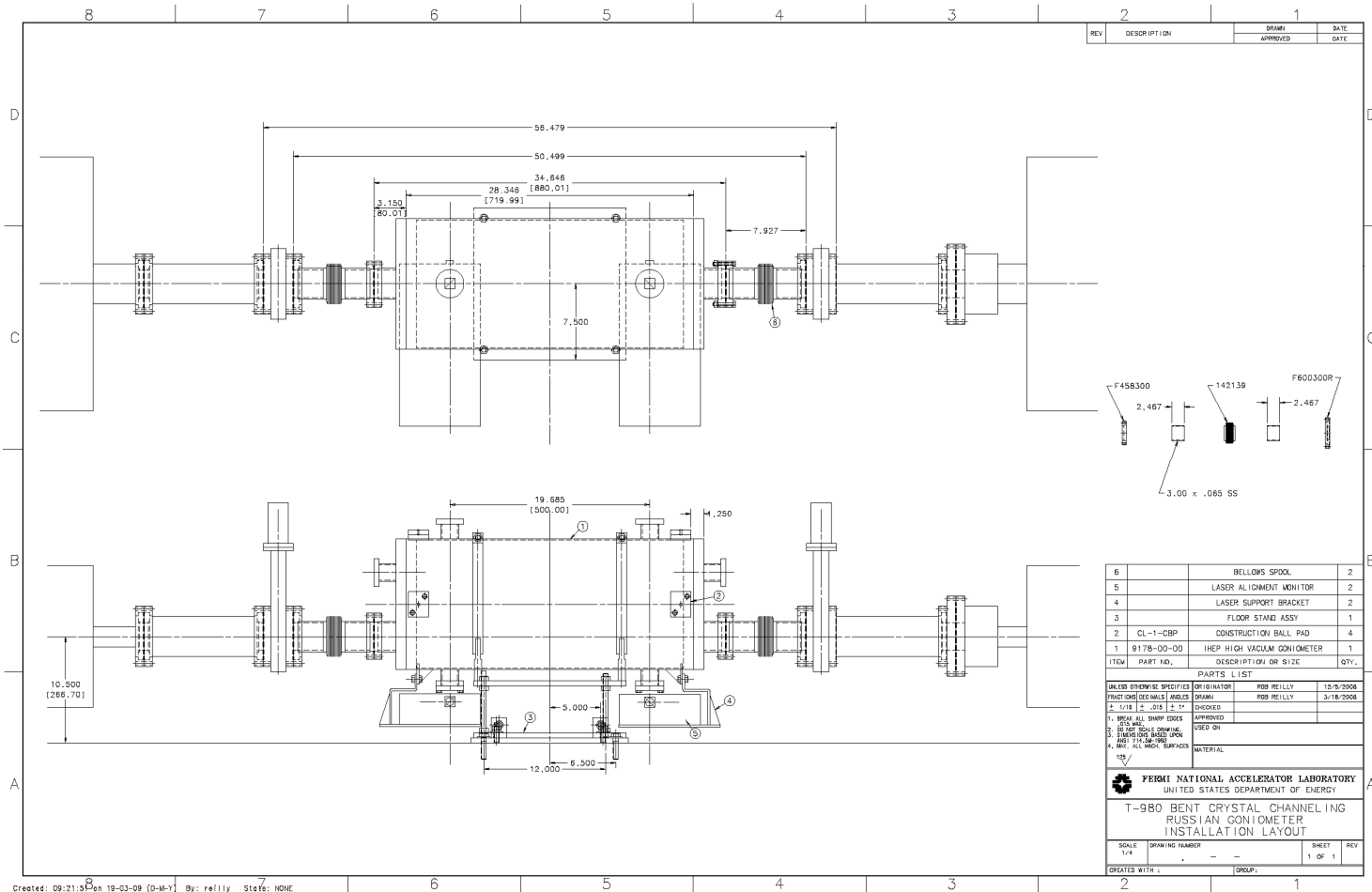




# New crystals.



# Installation of Goniometer in Tevatron



Created: 09:21:50 on 10-03-09 (D-W-Y) By: rbb/ll State: NONE

# Conclusion

- Goniometer had been manufactured.
- Preliminary testing had been finished.
- During the couple of weeks crystals will be mounted in goniometer and goniometer will be delivered to Fermilab.