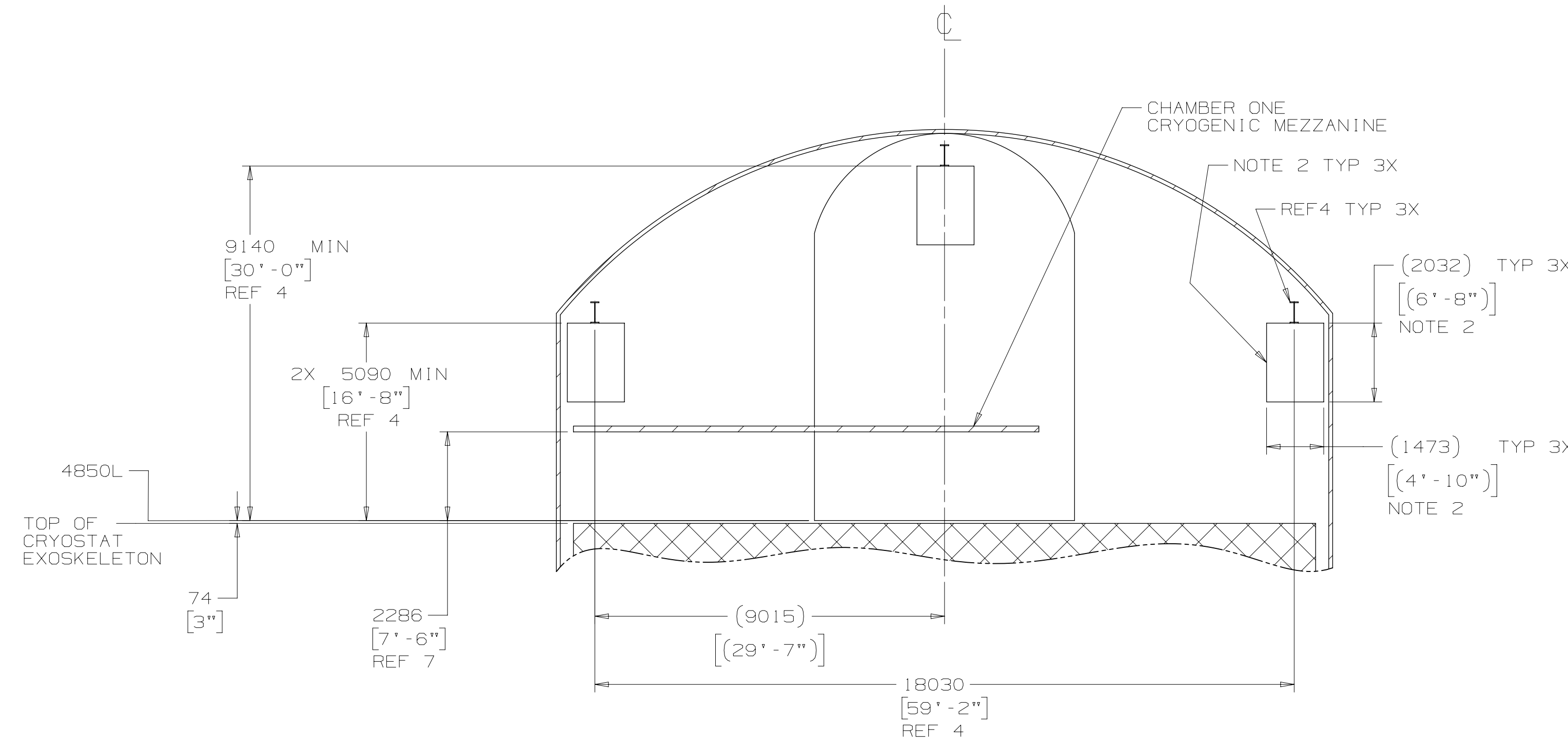
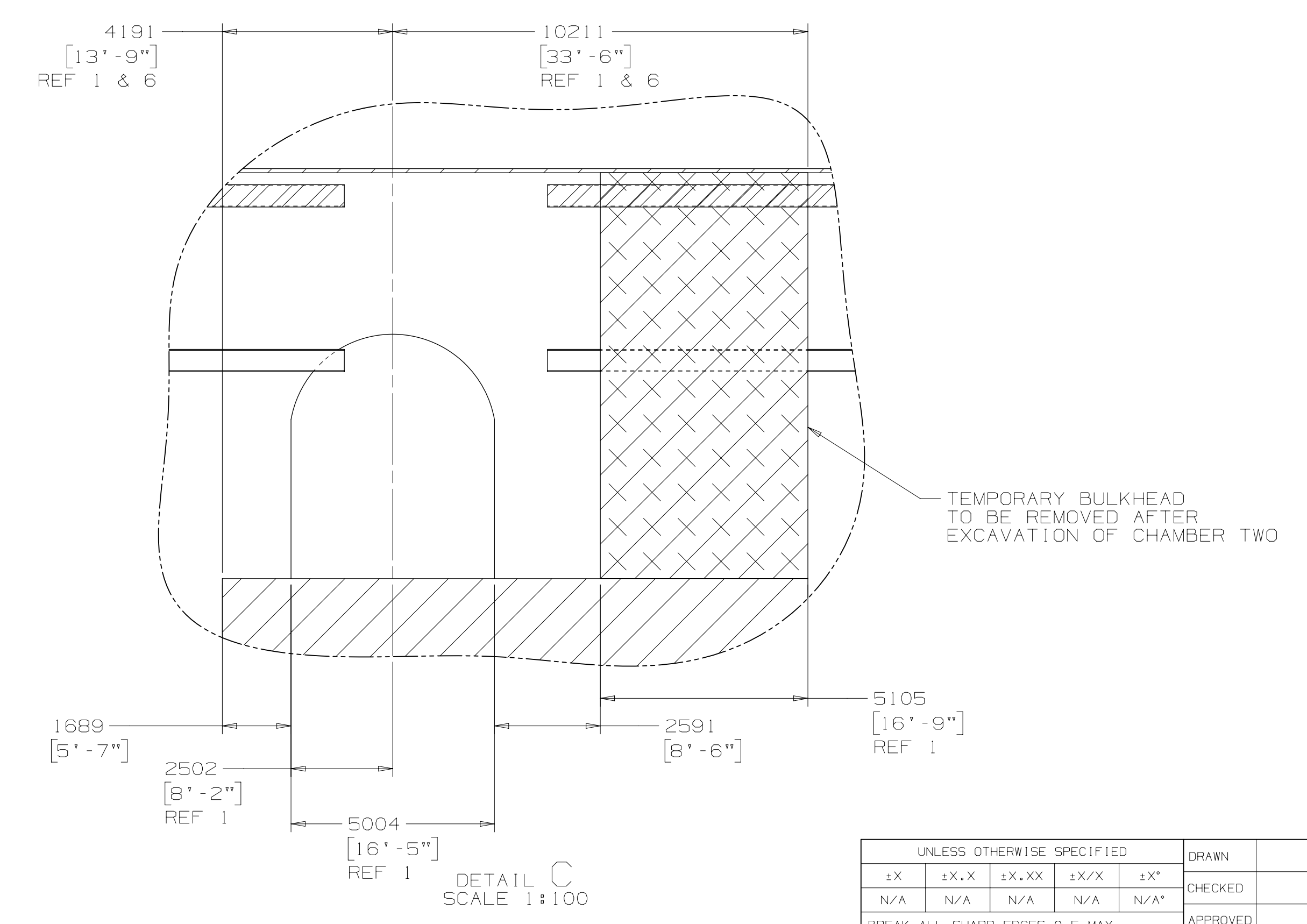
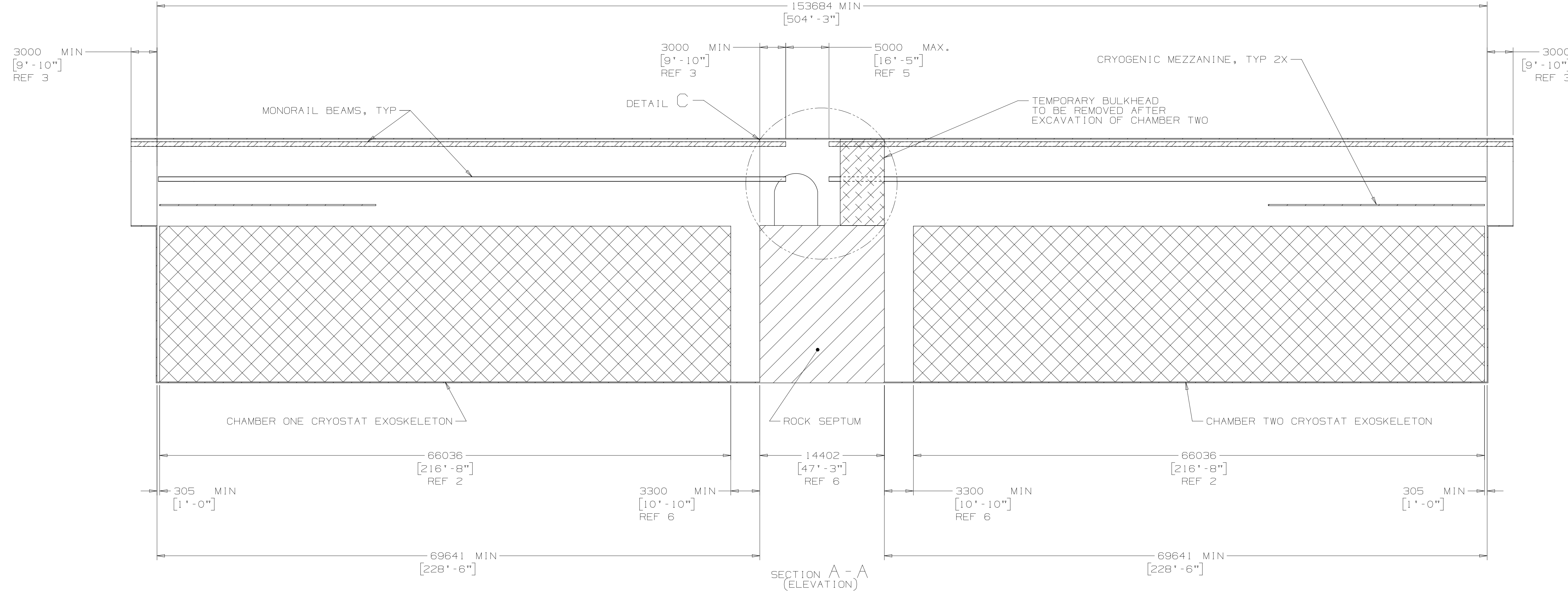
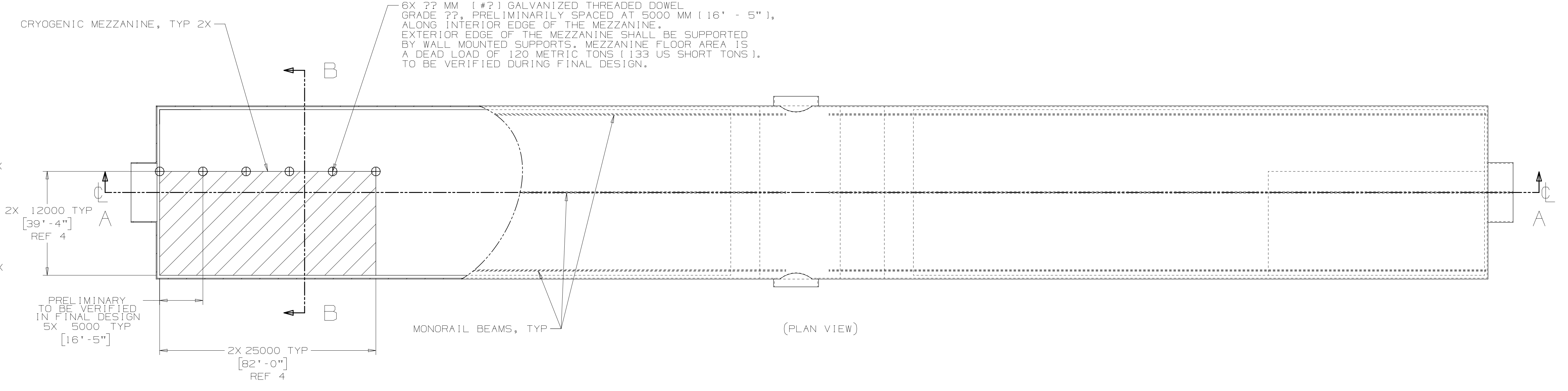
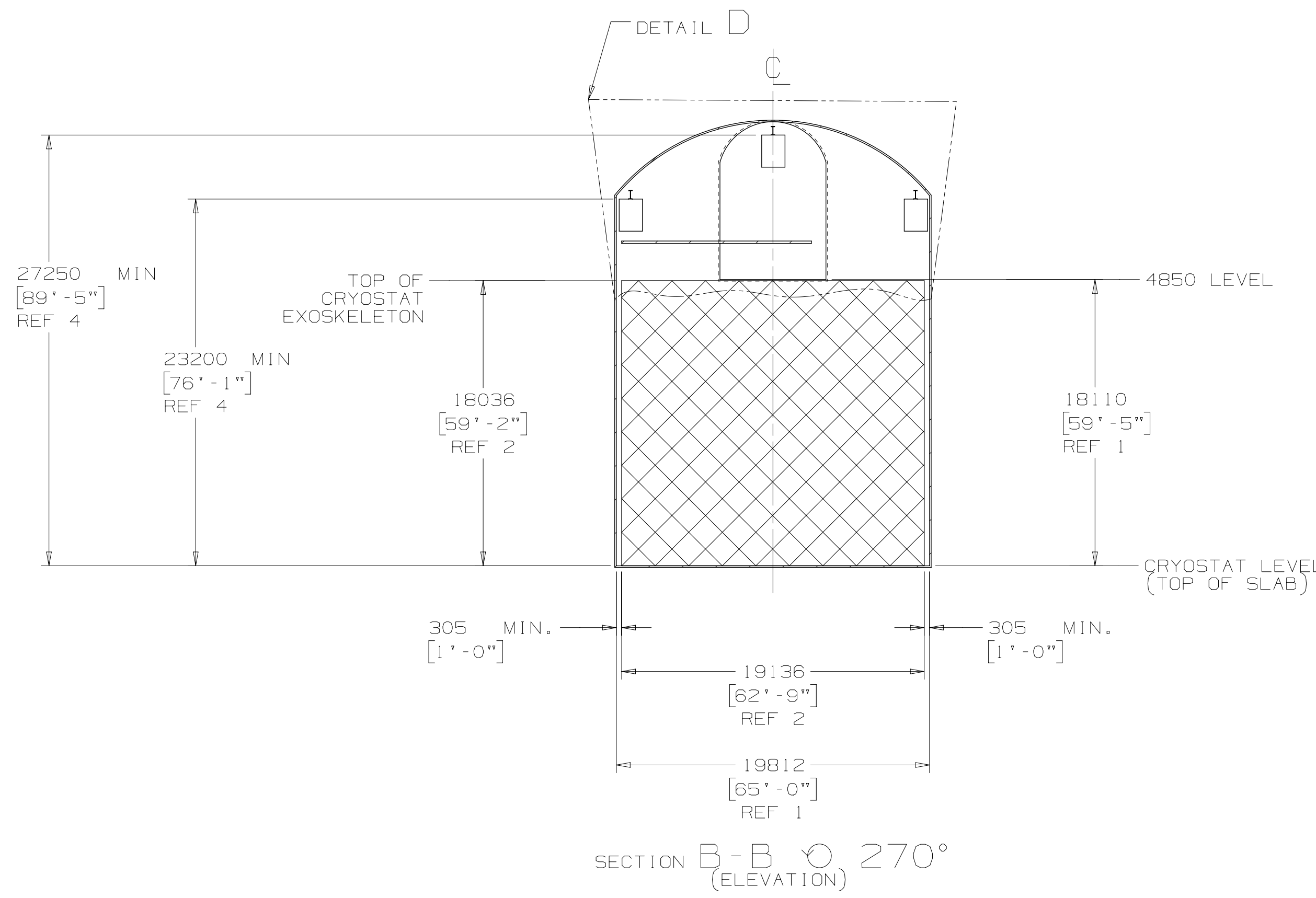


REV	REVISION CONTROL DOCUMENT	DATES	SIGNATURES
A	F10043159-A-RCD	05-Feb-2016	DRWN: M.SANTELL APPROVED:



DETAIL D  
SCALE 1:100  
(MEZZANINE PLATFORM)



REFERENCE NUMBER	REFERENCE SOURCE	REFERENCE LOCATION
1	ARUP DRAWINGS UG-PDR-C-200 TO UG-PDR-C-204 "NEAT LINE TO NEAT LINE"	DOCDB: DUNE-DOC-136-V4
2	LBNF/DUNE CD-3A IPR, DECEMBER 2-4 2015, M. NESSI PRESENTATION, SLIDE 9	DOCDB: DUNE-DOC-641-V5
3	CHANGE REQUEST CR-40	LBNF CHANGE CONTROL LOG
4	LBNF/DUNE CD-3A IPR, DECEMBER 2-4 2015, M. NESSI PRESENTATION, SLIDE 10	DOC DB: DUNE-DOC-641-V5
5	REQUIREMENT FSCF-ENGR-6	FAR-SITE REQUIREMENT (WIP)
6	CHANGE REQUEST CR-22	LBNF CHANGE CONTROL LOG
7	IBC 1209.2	HTTP://WWW.ICCSAFE.ORG/

PRELIMINARY  
NOT FOR PRODUCTION  
OR PURCHASING PURPOSES  
UNCONTROLLED COPY  
LAST SAVED 24MAR16

DO NOT SCALE!

NOTES (UNLESS OTHERWISE SPECIFIED):

- DIMENSIONS IN BRACKETS (1X' - XX") ARE IN ARCHITECTURAL FEET AND INCHES, ROUNDED TO THE NEAREST INCH, ALL METRIC DIMENSIONS ROUNDED TO NEAREST MILLIMETER.
- EXAMPLE HOIST ENVELOPE DEVELOPED FROM AVAILABLE 15 METRIC TON [16.54 US SHORT TON] CAPACITY MOTORIZED TROLLEY HOISTS, PER SECTION 5, PAGE 9 OF CERN EDMS 1551658 (LBNF CRANES REQUIREMENTS). HOOK HEIGHT RANGE LIKELY TO BE APPROXIMATELY 1443 MM [4' - 10"] WIDE BY 2032 MM [6' - 8"] TALL. THIS IS TO BE VERIFIED IN FINAL DESIGN.
- DO NOT SCALE ANY DIMENSION NOT SPECIFICALLY CALLED OUT.

UNLESS OTHERWISE SPECIFIED					DRWN	S. HENTSCHEL	DATE	17-Jun-2015
1:X	1:1	1:2	1:4	1:8	CHECKED	R. RUCINSKI	DATE	04-Feb-2016
N/A	N/A	N/A	N/A	N/A	APPROVED	R. RUCINSKI	DATE	04-Feb-2016
DO NOT SCALE DRAWING DIMENSIONS BASED ON (SEE NOTES) MAX. ALL MACH SURFACES 3/32"					USED ON		DocDB: DUNE-doc-464	
DRAWING UNITS: MM					MATERIAL		ENVELOPE, MINIMUM CLEARANCE DEFINITION - LBNF/DUNE FAR SITE	
					GROUP: Neutrino Division		SCALE: 1:250 NOTE 3	
					CASE CODE: 0598		DRAWING NUMBER: F10043159	
							SHEET: 1 of 1	
							REV: A	