



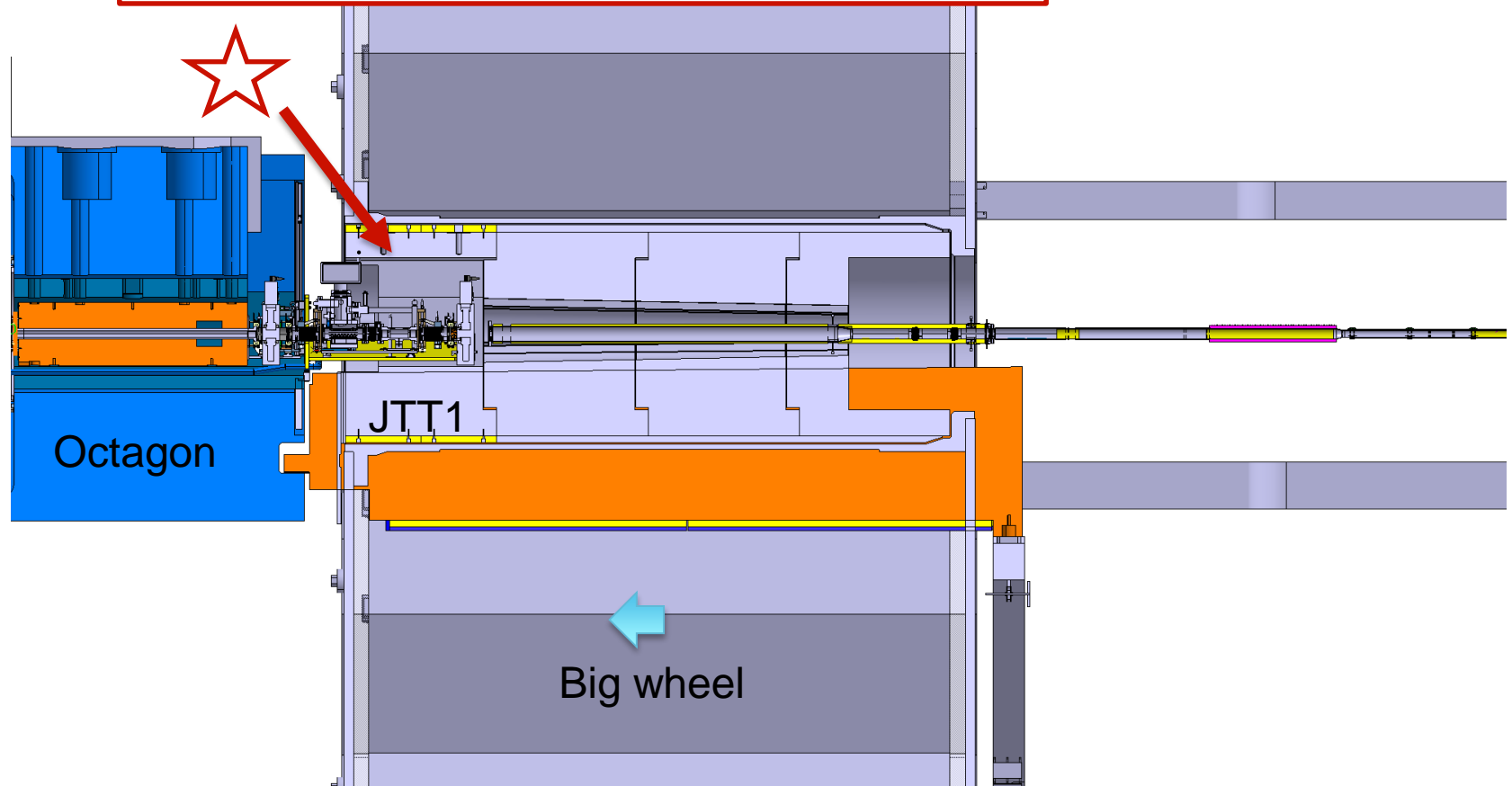
# **JTT shielding modifications proposal in ATLAS**

WP8, Bi-weekly meeting, 2015-05-10.

**M. Lazzaroni, D. Brethoux, F. Sanchez Galan**

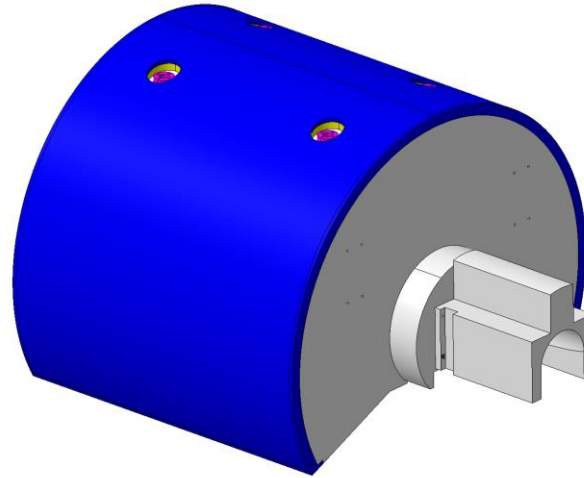
# During Shutdown period: Big wheel moved toward the octagon

To avoid clash with new HL vacuum configuration, the JTT 1 has to be modified.

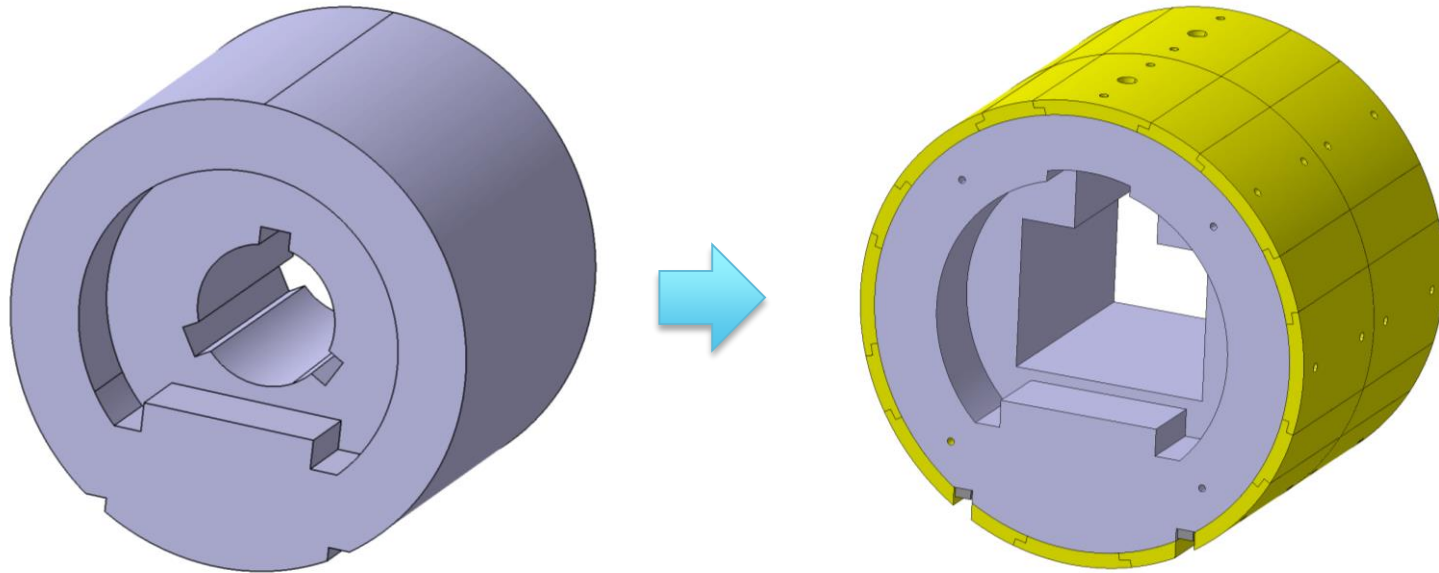


**Fig.1:** Big wheel in position «opened», close to the octagon

# Shielding's modifications on JTT1&JFC2



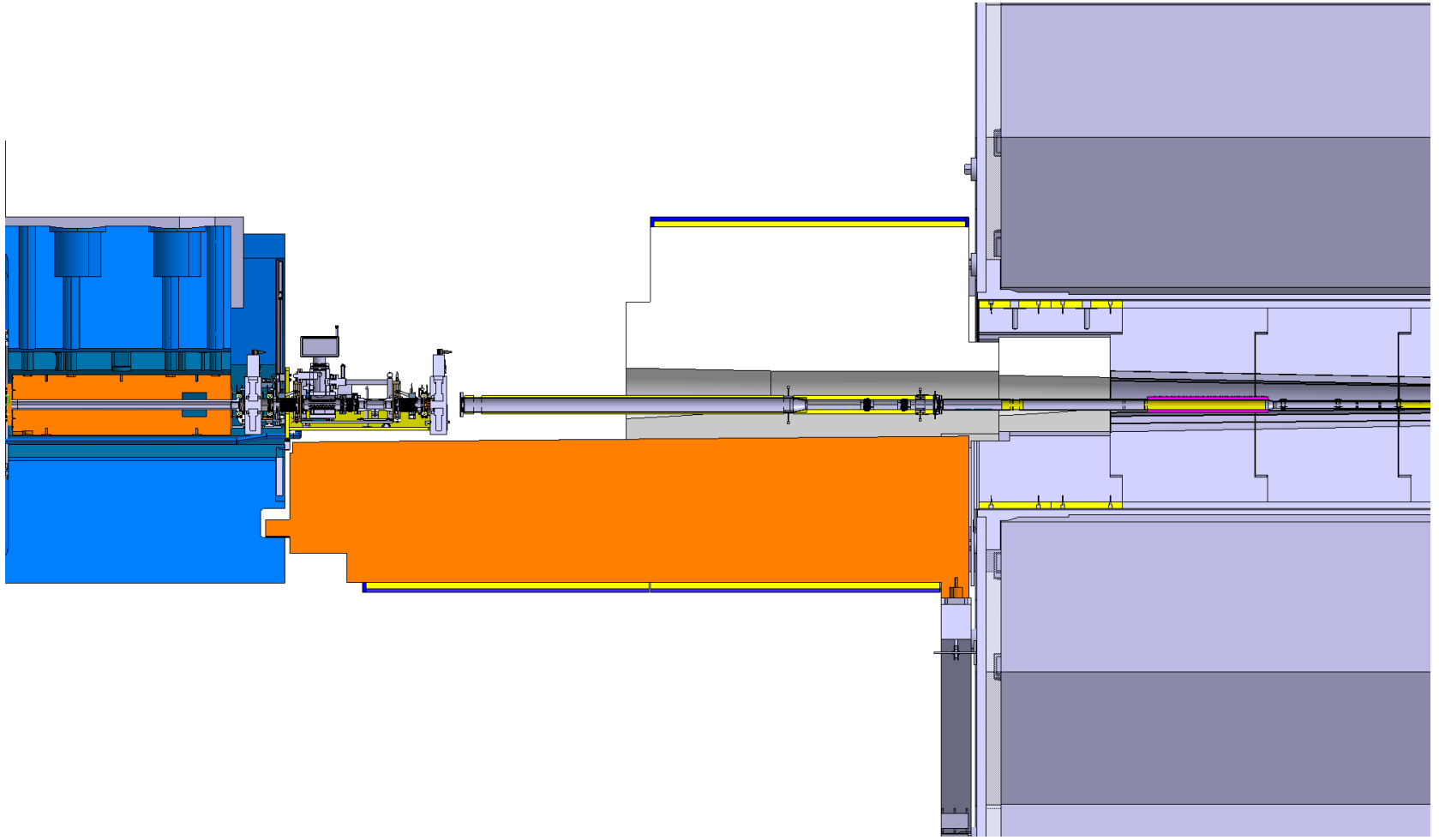
Add a shielding extension JFC2 (1.2 t)



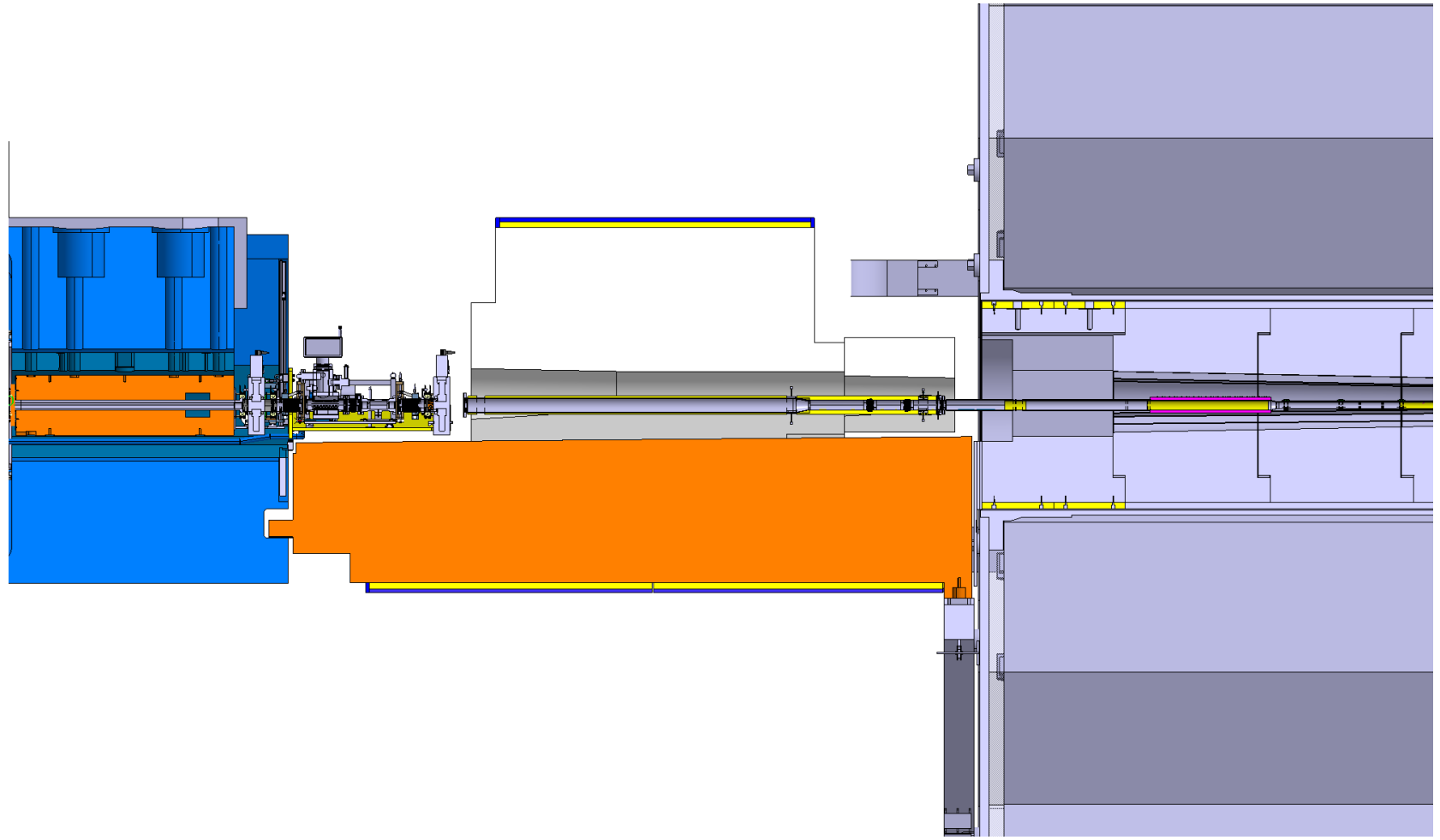
Actual plug JTT1

JTT1 modification

# JFC 2 removal scenario



# JFC 2 removal scenario : *step 1*



# JFC 2 removal scenario : *step 2*

