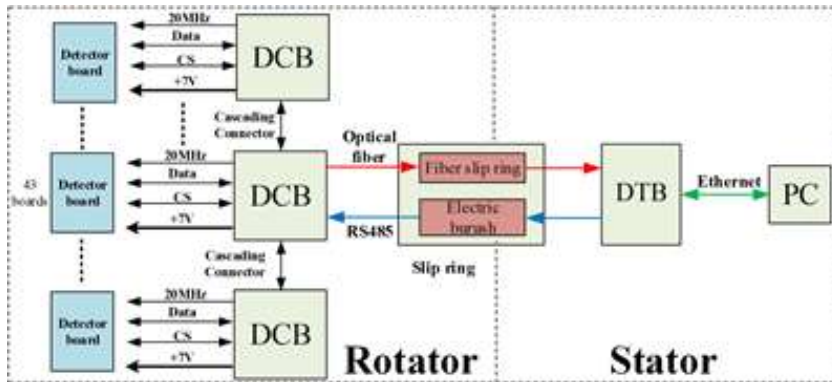


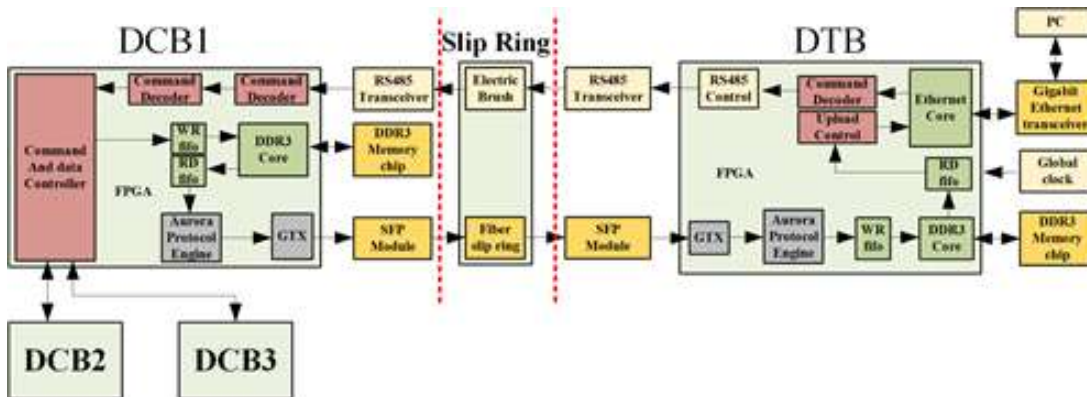
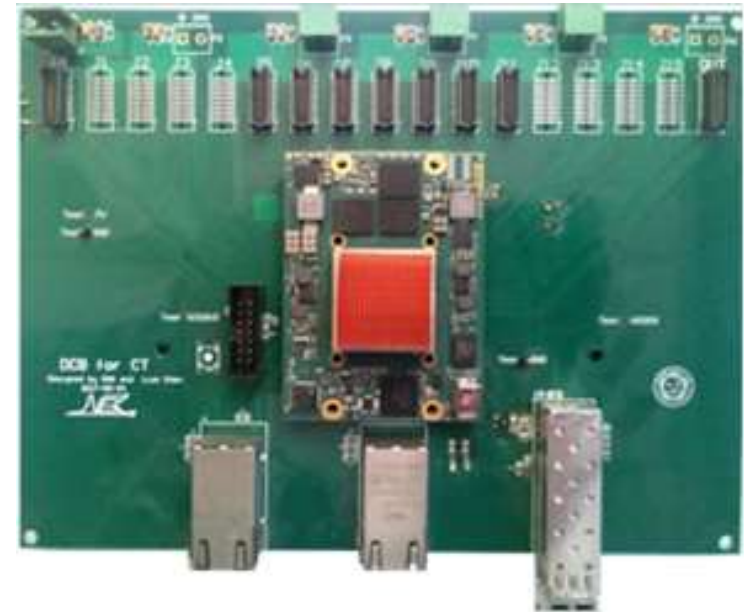


A data transmission system for the phase contrast X-ray human computed tomography prototype

Rongqi Sun, Lian Chen, Houbing Lu, Feng Li, and Ge Jin
2018-06



Schematic Block diagram of the DAQ



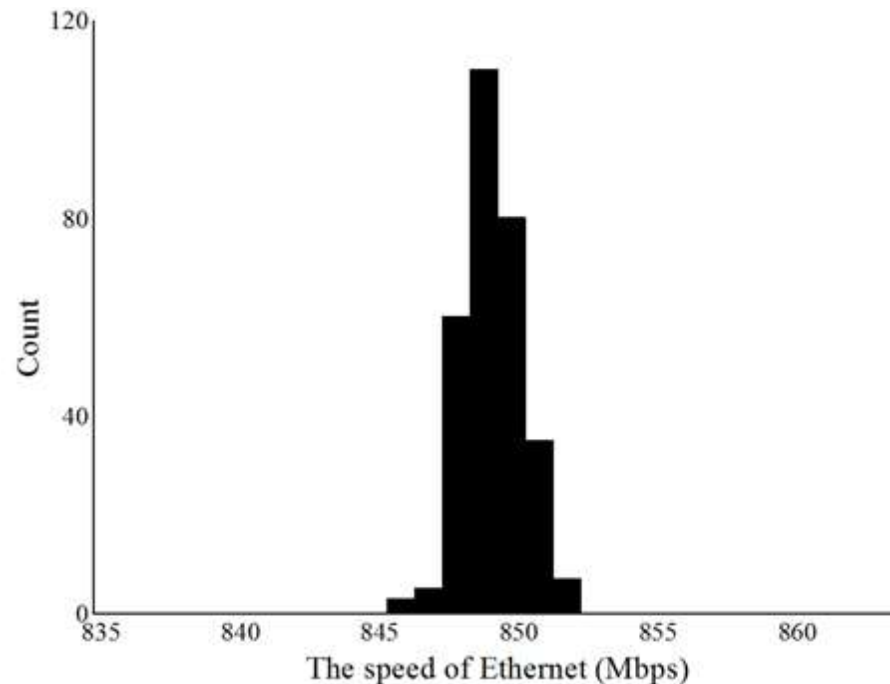
The data flow between DCB and DTB



Test Results



GTX_0014	
MGT Settings	
MGT Alias	GTX_116
Site Location	GTX_0014
MGT Link Status	1.0 Gbps
PLL Status	CPPLL LOCKED
Loopback Mode	None
Channel Reset	Reset
Tx/Rx Reset	Tx Reset Rx Reset
Tx Polarity Invert	<input type="checkbox"/>
Tx Error Inject	Injct
Tx Off Output Swing	850 mV (1.5V)
Tx Pre-Cursor	1.57 dB (0.711V)
Tx Post-Cursor	0.98 dB (0.5001V)
Rx Polarity Invert	<input type="checkbox"/>
Rx Termination Mode	Programmable
Rx Termination Voltage	900 mV
BERT Settings	
Tx Data Pattern	Pseudo 7.36
Rx Data Pattern	Pseudo 7.36
Rx Bit Error Rate	8.438E-013
Rx Received BE Count	1.000E+02
Rx BE Error Count	0.000E+000
BERT Reset	Reset
Clocking Settings	
TxUSRCLK1 Freq (MHz)	31.28
TxUSRCLK2 Freq (MHz)	31.28
RxUSRCLK1 Freq (MHz)	31.28
RxUSRCLK2 Freq (MHz)	31.28



The test result of bit error rate

Long-term stability test of the gigabit Ethernet