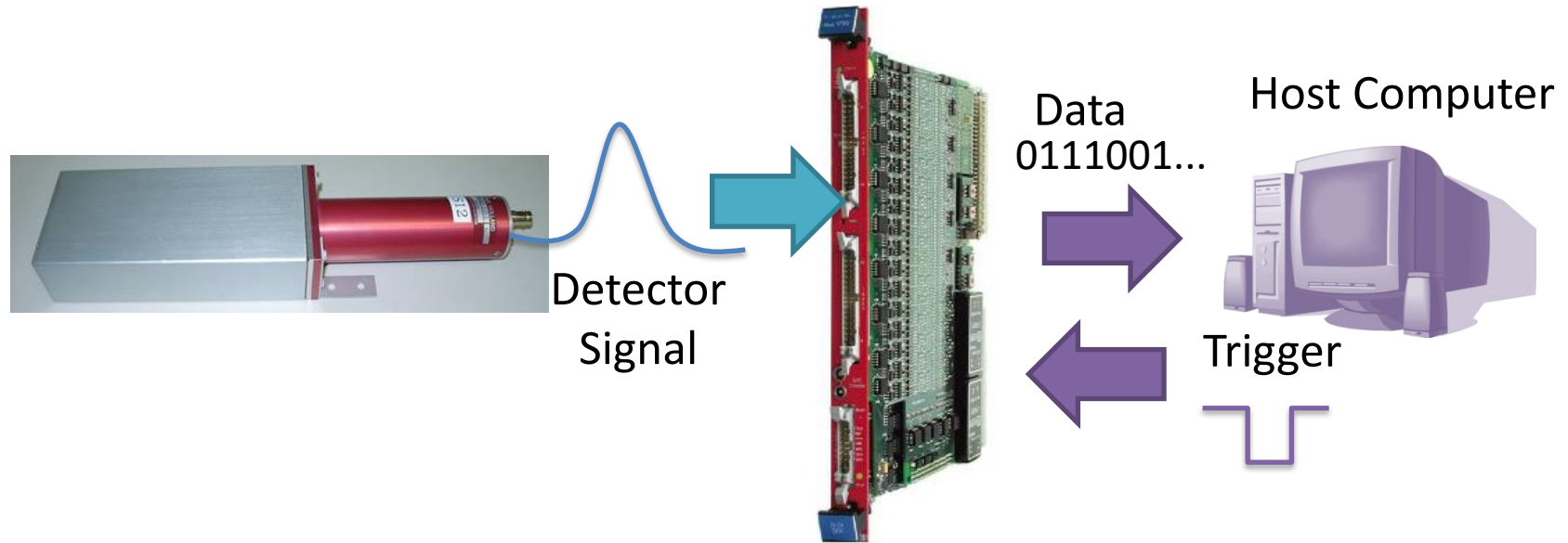
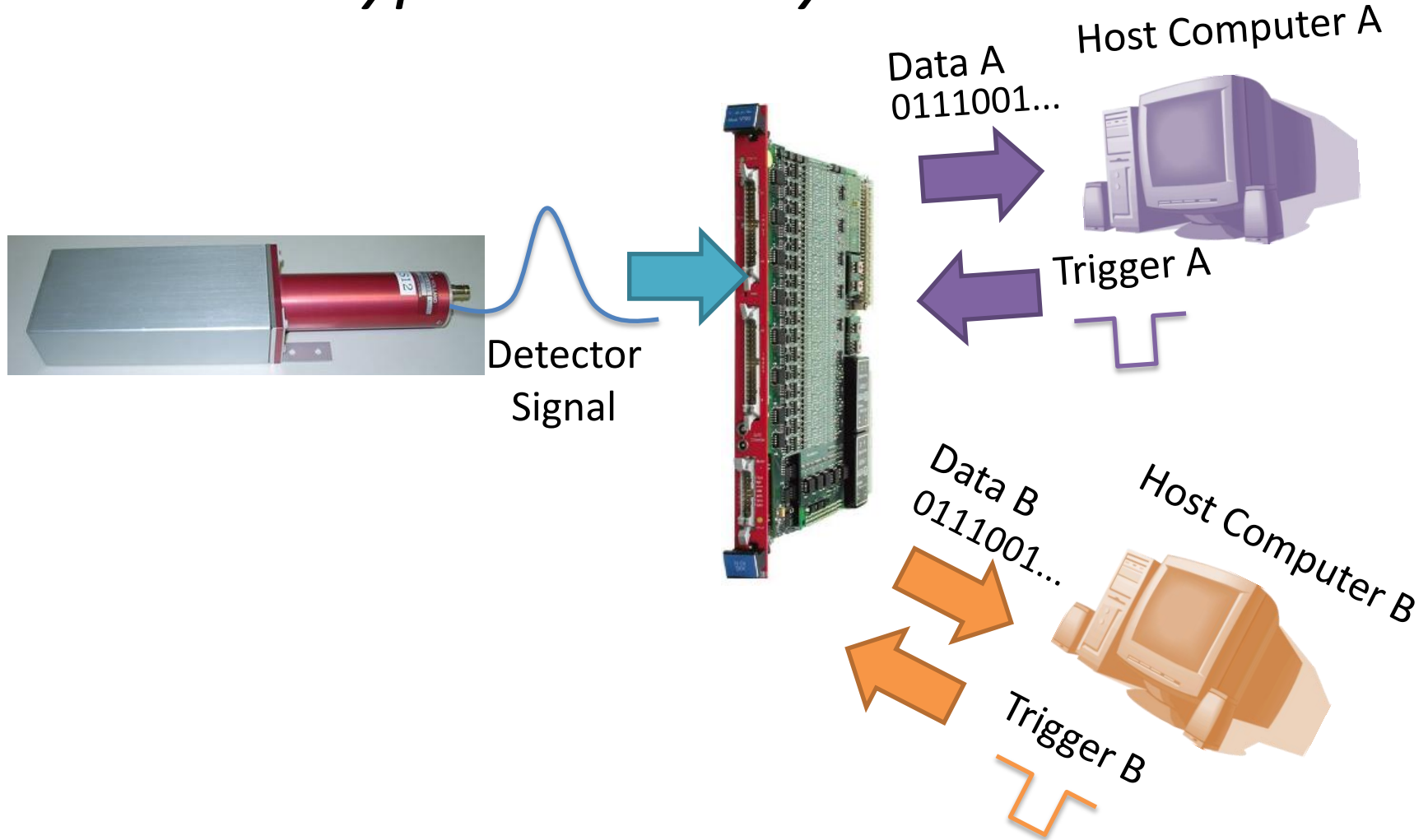


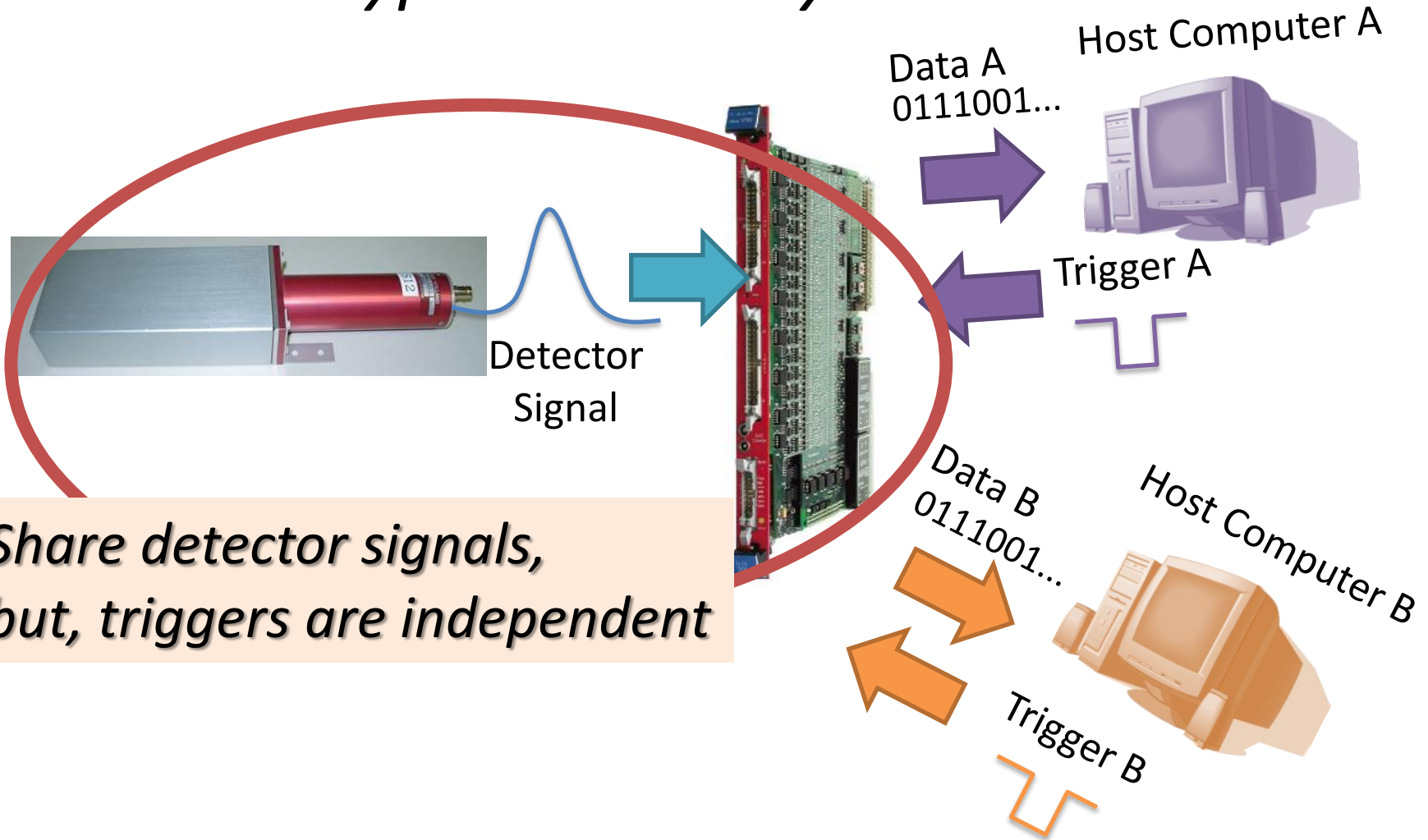
Legacy CAMAC / VME = 1-to-1 System



Multi-host type = 1-to-X System

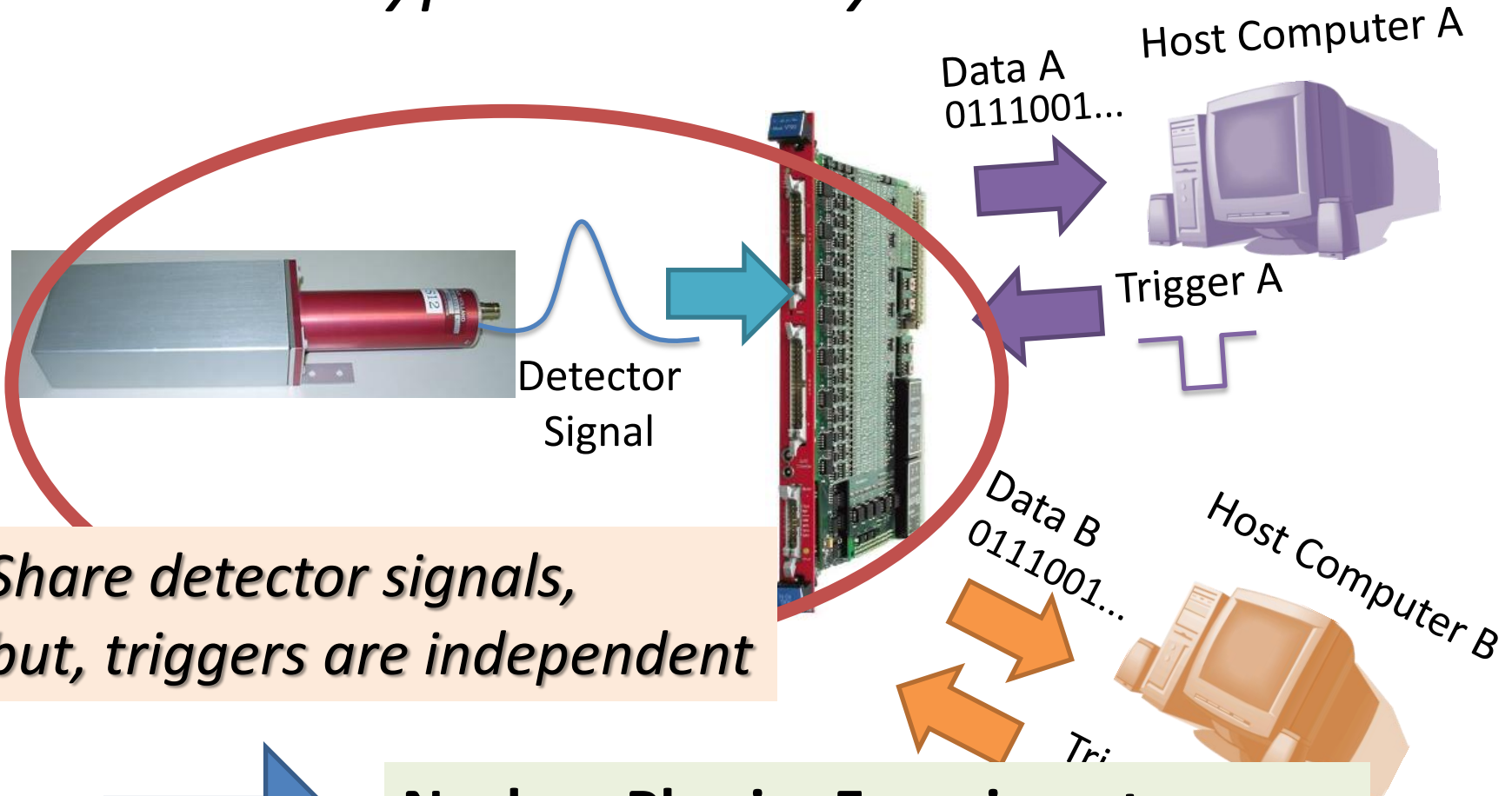


Multi-host type = 1-to-X System

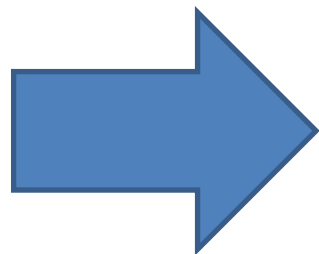


*Share detector signals,
but, triggers are independent*

Multi-host type = 1-to-X System



*Share detector signals,
but, triggers are independent*



**Nuclear Physics Experiments
using Radioactive Isotope Beams**