



# Mini TAXN in point 8

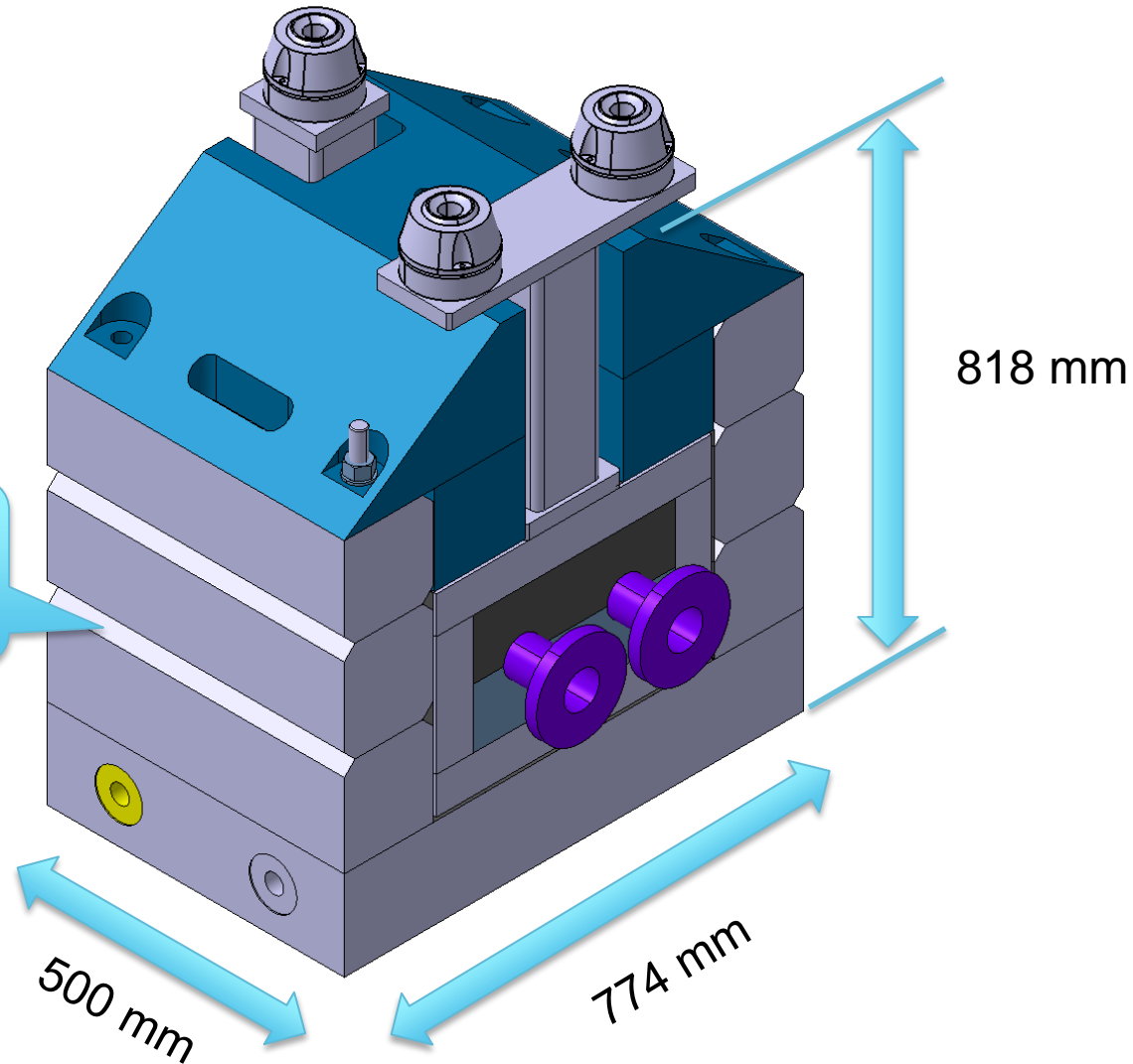
Damien BRETHOUX  
EN-EA-CT

28 June 2016

# General presentation of mini TAXN (ref. Smarteam: ST0762174\_01)

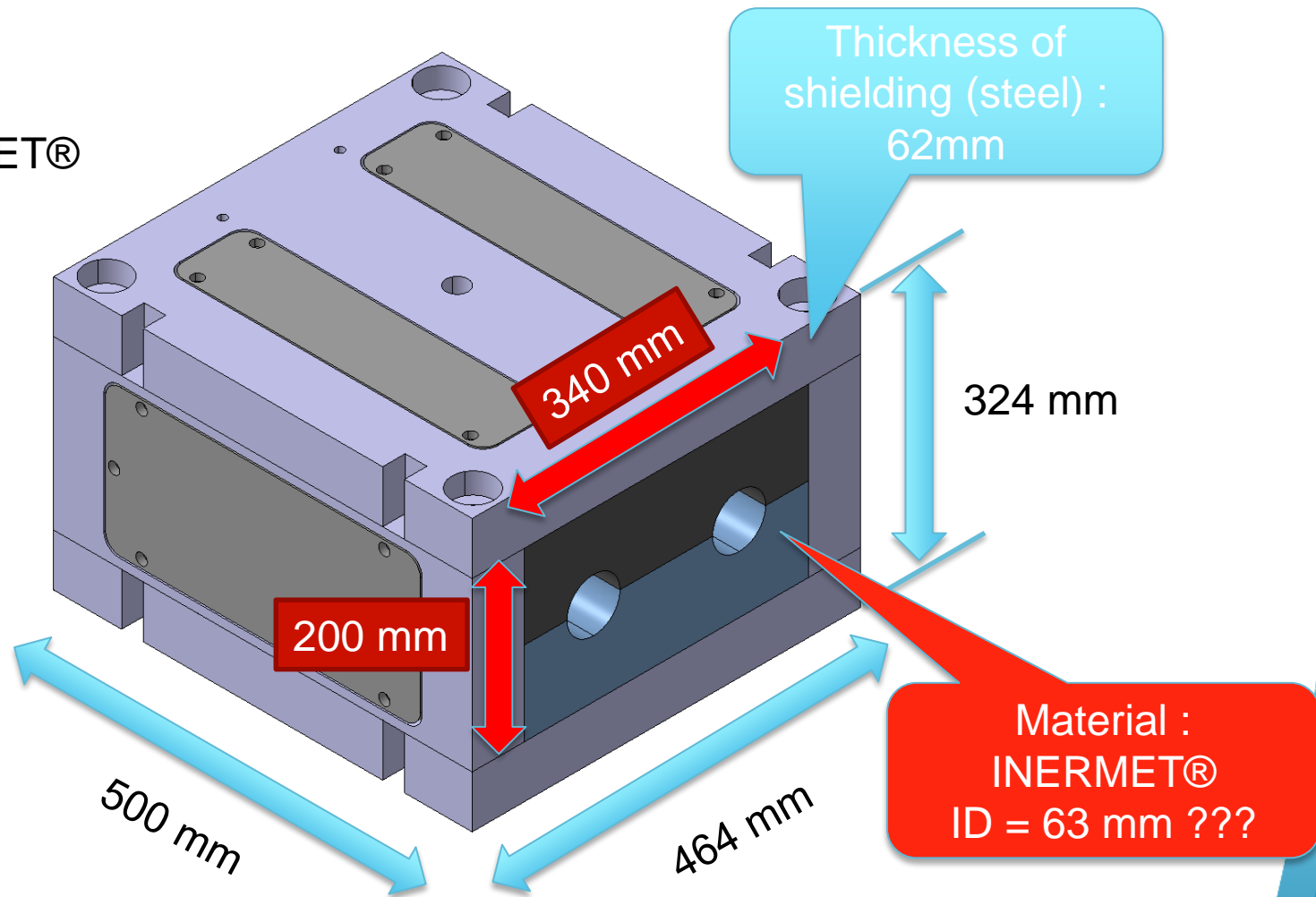
MASS = +/- 2450 kg

Thickness of  
shielding (steel) :  
150 mm

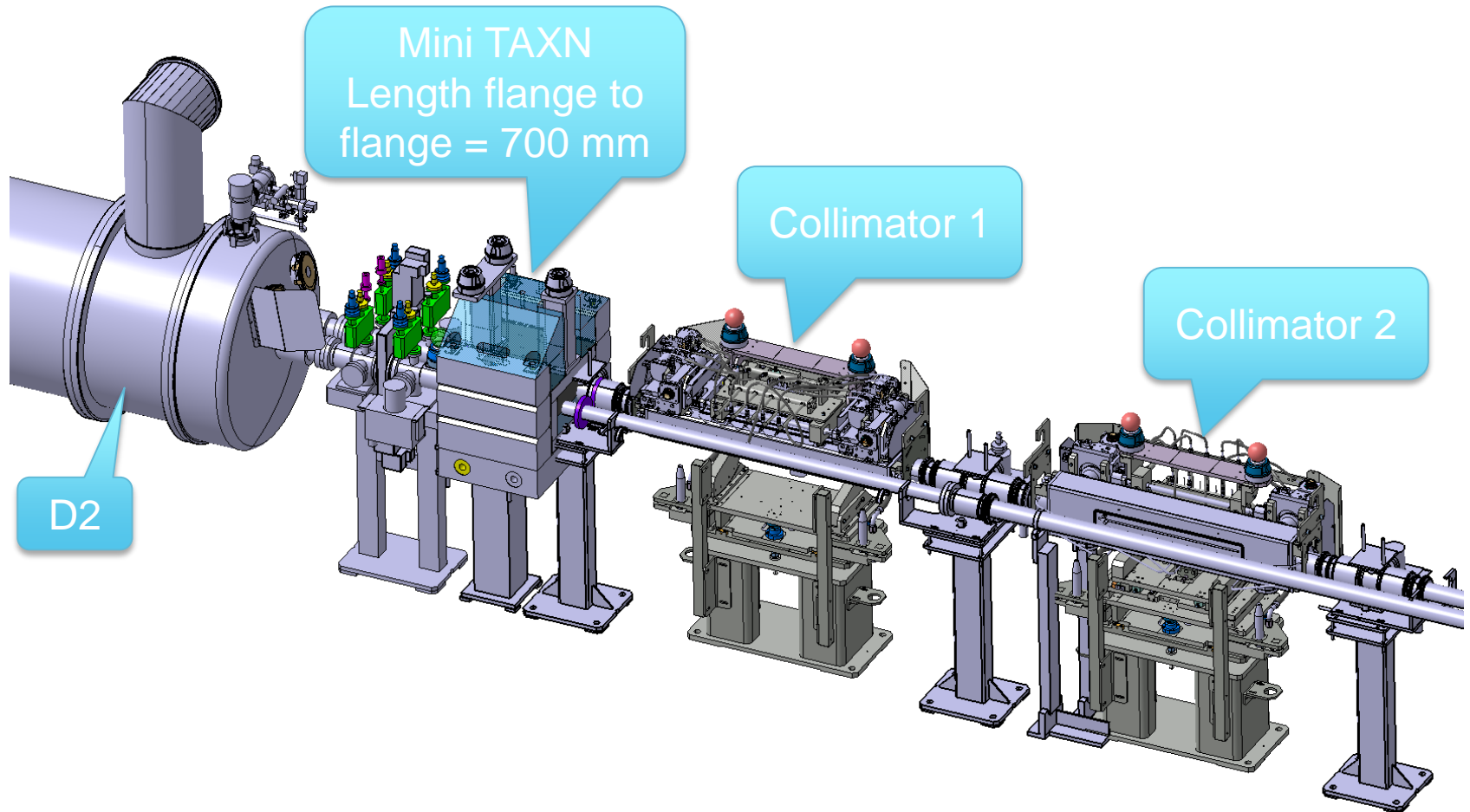


# Details of inner part of mini TAXN

MASS of INERMET®  
= +/- 615 kg



# Proposition of mini TAXN integration



- Is the shielding enough ? (Needed alignment )
- Is the access to BPM ok from a RP view? (Needed alignment between collimator and mini-TAN)
- Do BPM and collimators require additional protection against debris?
- Are quick connectors required?
- Is it possible to displace the collimators & equipment up to Y-chamber flange?
- Would fit in the available space or would imply cutting the Y chamber sector? Any concern about ?



***Thank you for your attention.***

***Questions ???***