

Our partners



Our sponsors



Contact us



aquasmart@europe.com

Real Time Water Network Control



Why?



Reduce
water waste

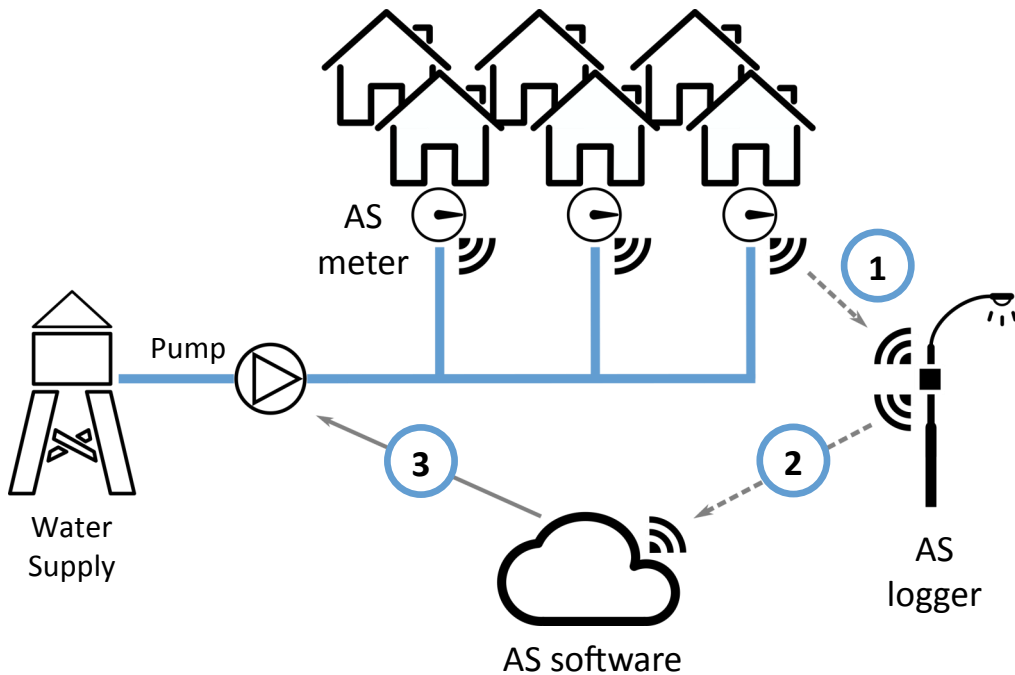


Save
energy



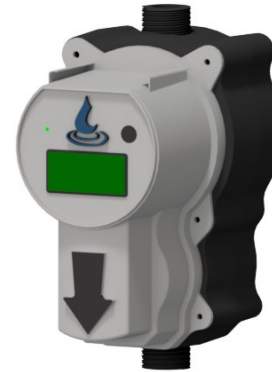
Safer
cities

Our system



- 1 AS meter sends **real time flow data** to AS logger
- 2 AS logger **collects** and **delivers data** to the server
- 3 AS software **analyses real time data** checks for anomalies, controls water pumps, finds leaks

Our products



AS meter

- Water flow and pressure meter
- **Substitutes** current analogical meters
- **Electromagnetic** technology
- **Encrypted radio** communications
- **Multi-Hop** feature
- **Tamper alerts**
- Detects low water flows (R 800)
- 15 years battery life



AS logger

- **Encrypted** communications
- **Radio** and **GPRS** enabled
- **Installed on street lights**
- Solar panel and/or grid powered
- Waterproof - IP67
- 15 years warranty



AS software

- Analyses and correlates water flow and pressure data to find leaks
- Alerts utilities of network issues
- **Alerts home owners of anomalies**