

800MHz Elliptical-shape Crab Cavity

RF Design For LHC Upgrade

Liling Xiao, Zenghai Li

SLAC National Accelerator Laboratory

Presented at LHC-CC09, Sept.16, 2009

Work supported by U.S. DOE under contract DE-AC02-76SF00515

Acknowledgements

- Valuable discussions from many colleagues through LHC crab cavity collaboration and WebEx meetings
- Simulation codes used, **Omega3P/S3P/Track3P**, were developed under US DOE SciDAC program support
- Work used computing resources of NCCS/ORNL and NERSC/LBNL
- Work supported by US LARP program

Outline

- Design Considerations
- Shape and frequency considerations
- 800-MHz elliptical cell optimization
- LOM, SOM, HOM damping coupler design
- Input power coupler design
- Multipacting analysis
- Tolerance Studies
- Beamloading and power requirement
- Summary

Design Considerations

Goal is to achieve head-on collisions at the IP

Working crab cavity exists - KEK-B 509MHz crab cavity

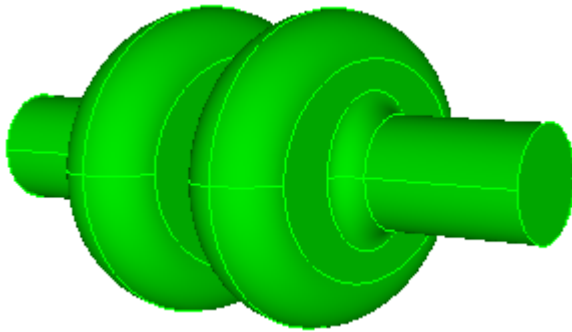
Crab cavity

- **Should produce needed rotation to the beam**
 - **Eliminate potential gradient limiting factors, such as multipacting, in the design**
- **Have minimal side effects to the beam**
 - **Effective LOM, SOM, HOM damping**
- **Can fit into existing space on beamline**
 - **Cryostat integration – RF, static heating and geometry constraints**
- **Required development schedule should be compatible with upgrade timeline**

-
- Design Considerations
 - **Shape and frequency considerations**
 - 800-MHz elliptical cell optimization
 - LOM, SOM, HOM damping coupler design
 - Input power coupler design
 - Multipacting analysis
 - Tolerance Studies
 - Beamloading and power requirement
 - Summary

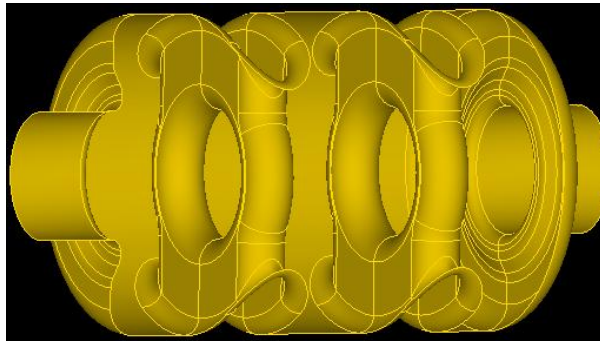
Shape and Frequency

- 800 MHz Elliptical



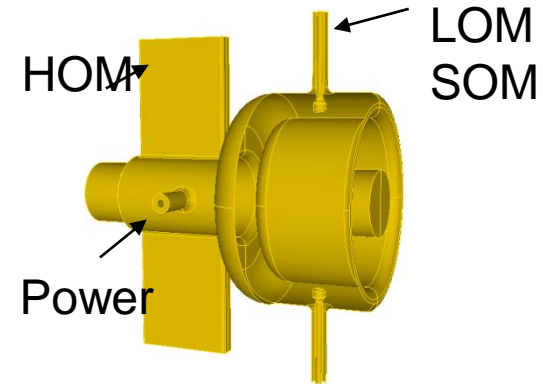
(LARP-CM11 baseline)

- 800 MHz Spoke



Cavity radius: 150 mm

- 400MHz-Coaxial



- Different designs being worked on in other labs
- The 800-MHz, 2-cell elliptical shape, was chosen as baseline design at LARP-CM11**
(choice of 2-cell was based on a scaled version from a 400-MHz design, Rama)

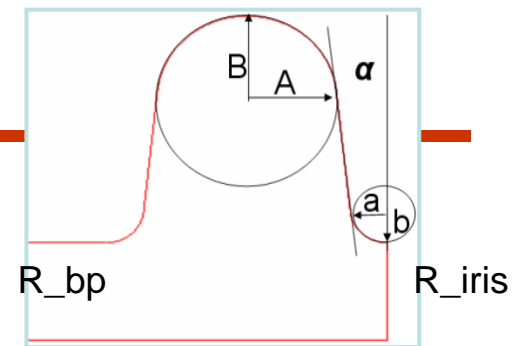
The Elliptical Shape

- Considered “simpler”
- More engineering experiences with elliptical shapes
- Working cavity with such a shape exist (KEKB)
- Coupler design also followed more conventional end-pipe coupling approach
- Likely lead to short development time
- R&D focus is to optimize the shape and couplers to develop a fully RF functional design, further optimize to realize a engineering design

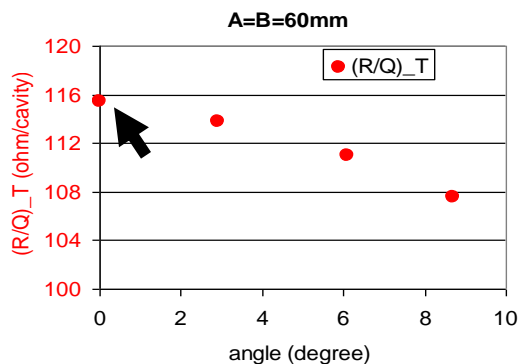
-
- Design Considerations
 - Shape and frequency considerations
 - **800-MHz elliptical cell optimization**
 - LOM, SOM, HOM damping coupler design
 - Input power coupler design
 - Multipacting analysis
 - Tolerance Studies
 - Beamloading and power requirement
 - Summary

Cell Shape Optimization

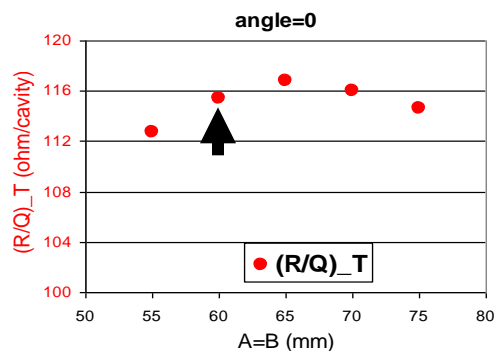
- $r_{bp} = r_{iris} = 70\text{mm}$, cell length = 187.5mm
- Optimize disk parameters for low E_{peak} and B_{peak}



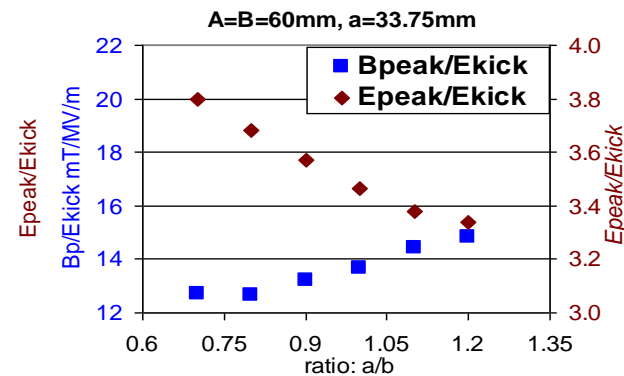
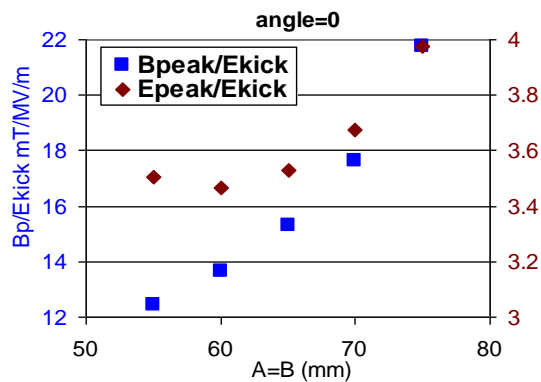
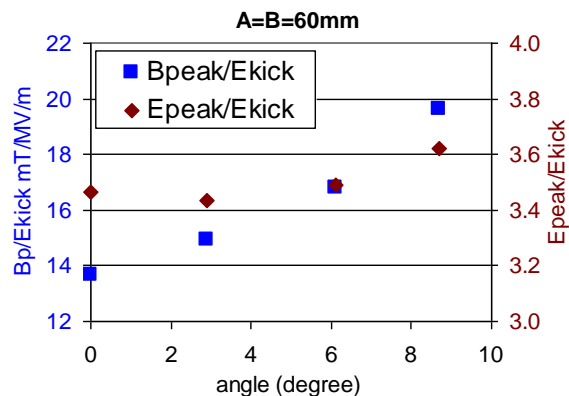
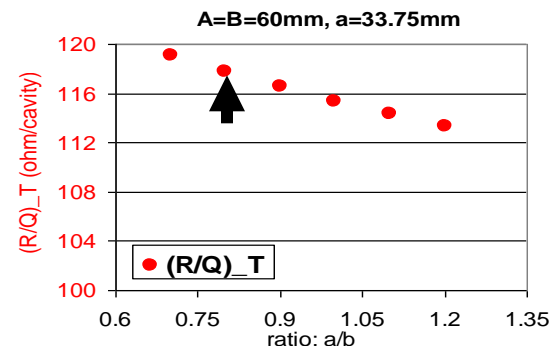
disk angle



disk thickness

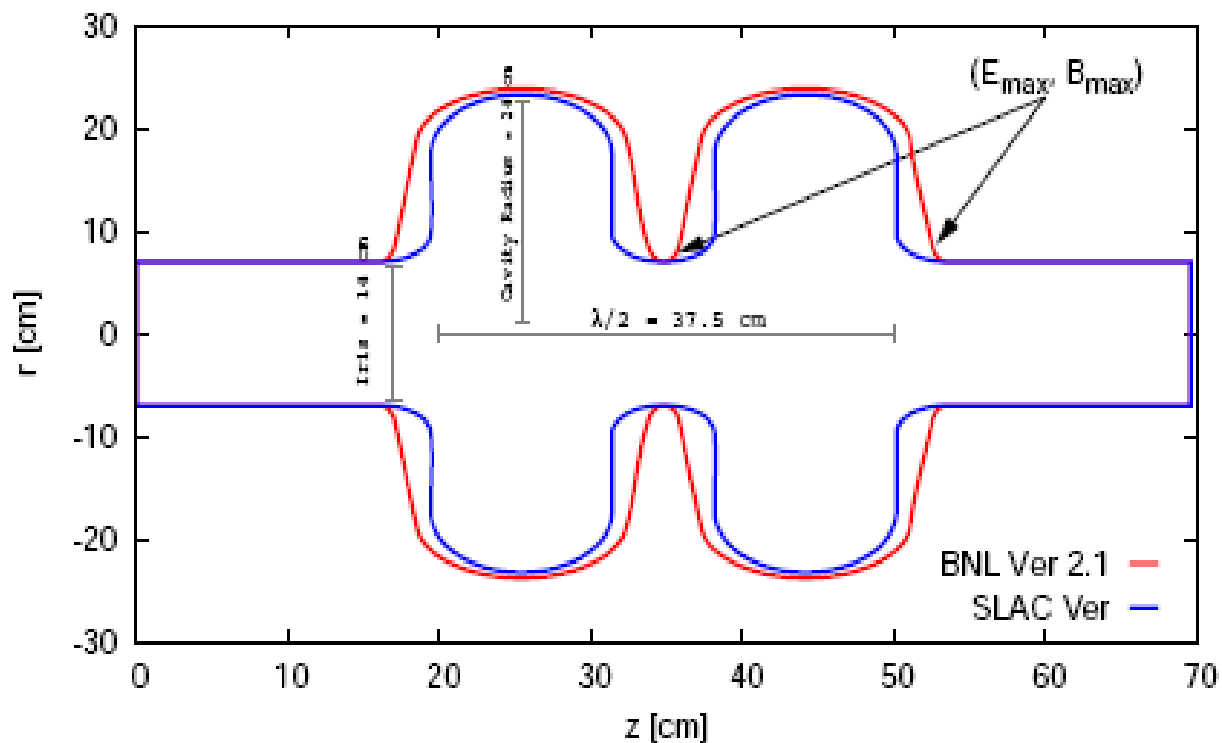


iris ellipticity



The Low Surface Field Shape - 2D

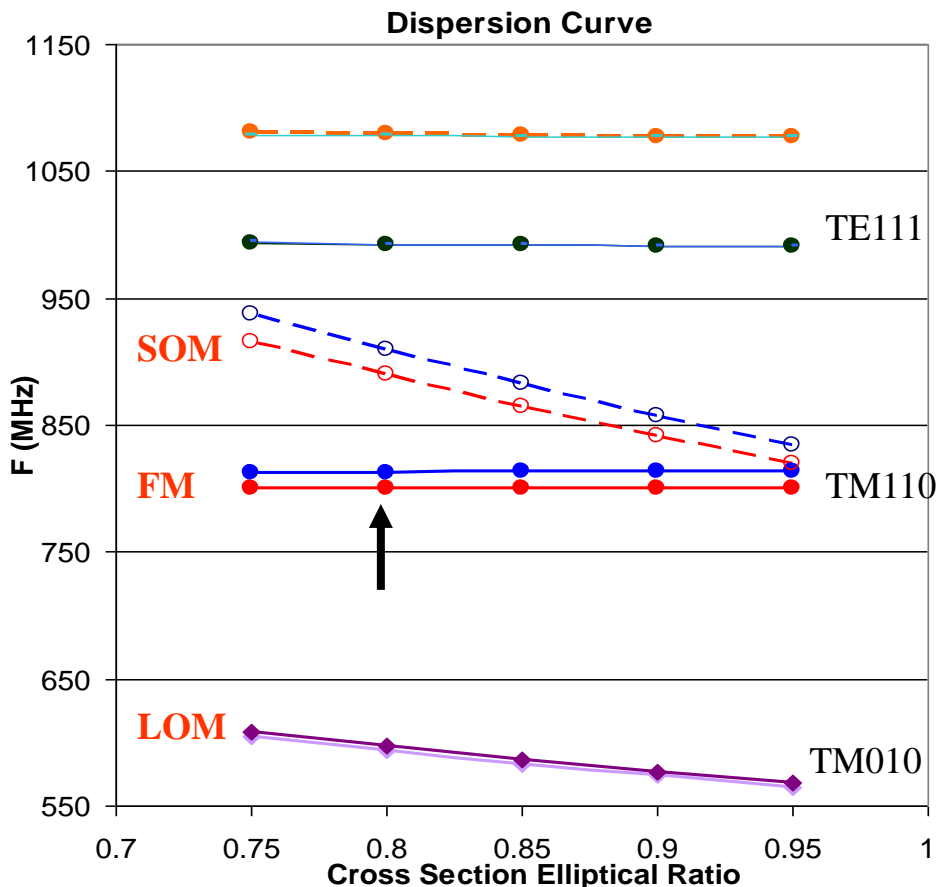
Optimized shape vs scaled version (from 400 MHz, Rama)



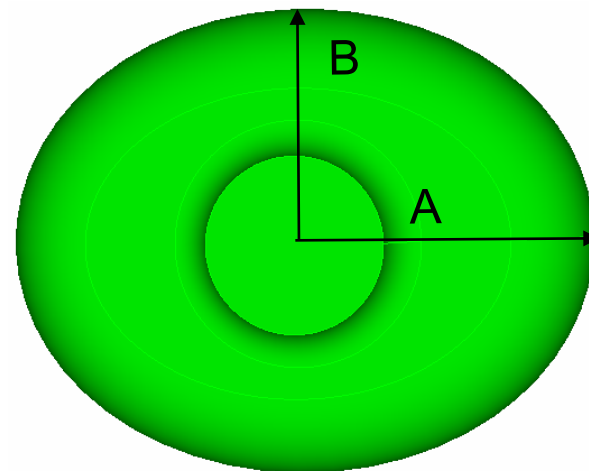
Side wall may need to include a small angle for engineering purpose

Mode Split: Cell Squash Ratio

- Squash ratio is chosen to optimize mode separation.
- Max Dx is limited by available horizontal space



Fc=1.2GHz@R_beampipe=70mm



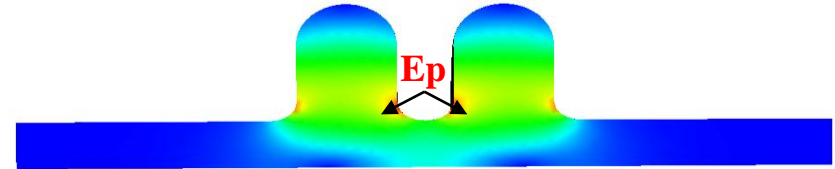
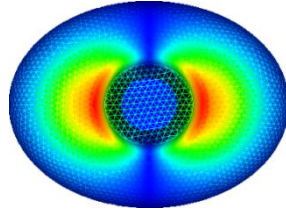
- Racetrack or Elliptical

B/A	A	(F _y -F _x) (MHz)
0.90	235.97	42
0.85	240.10	65
0.80	244.92	89

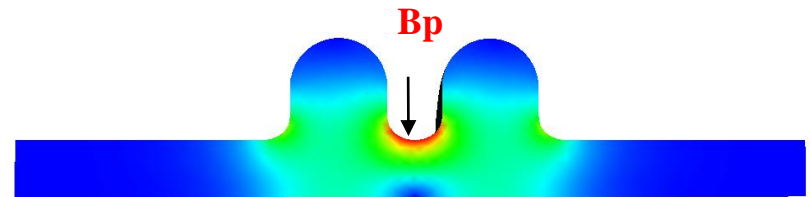
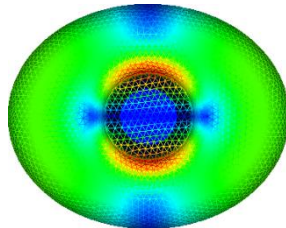
Cavity RF Parameters

TM110-pi mode

E-field



B-field



Frequency	800 Hz
$(R/Q)_T$	117 ohm/cavity
Deflecting Voltage V_T	2.5 MV
Deflecting Gradient E_{kick}	6.67 MV/m
E_{peak}	25 MV/m
B_{peak}	83 mT
Mode separation (Opt.-SOM)	89 MHz

For comparison:

TESLA TDR cavity peak fields

E_{acc} : 25-30MV/m,

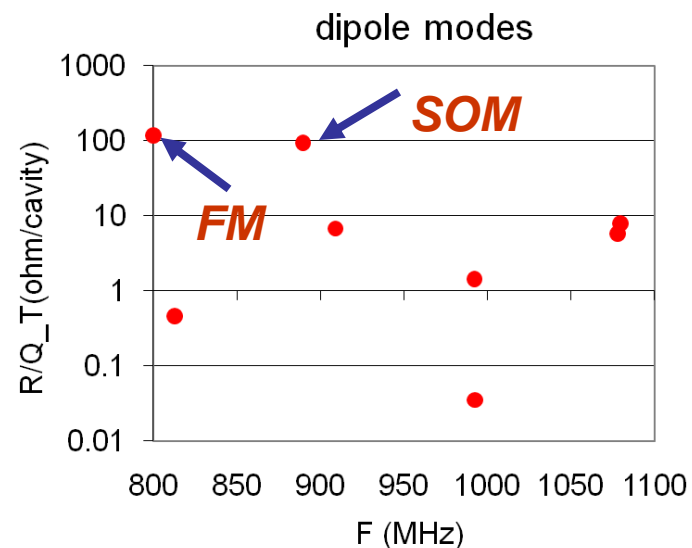
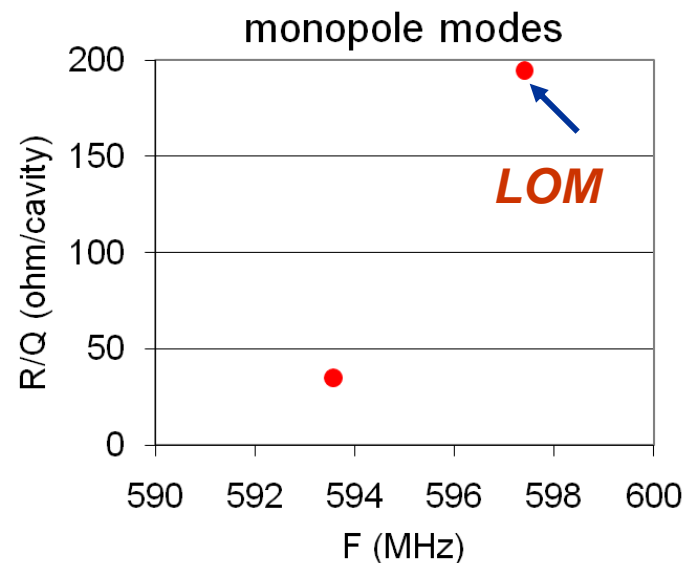
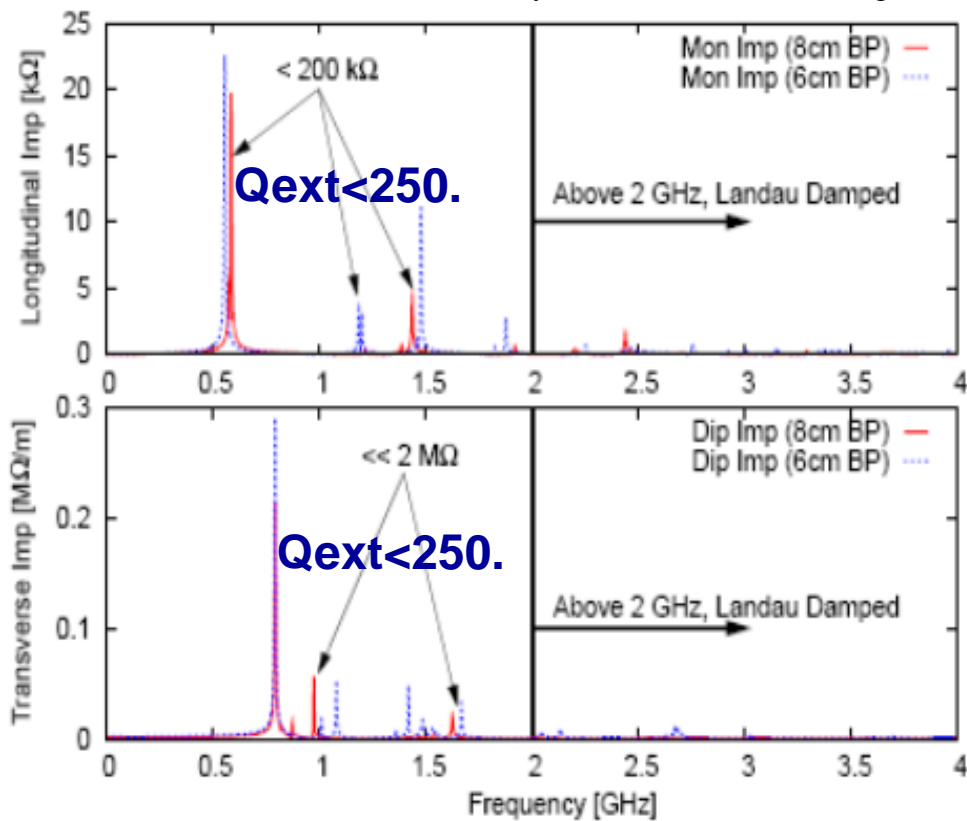
E_p : 50-60MV/m,

B_p : 107-128mT

-
- Design Considerations
 - Shape and frequency considerations
 - 800-MHz elliptical cell optimization
 - **LOM, SOM, HOM damping coupler design**
 - Input power coupler design
 - Multipacting analysis
 - Tolerance Studies
 - Beamloading and power requirement
 - Summary

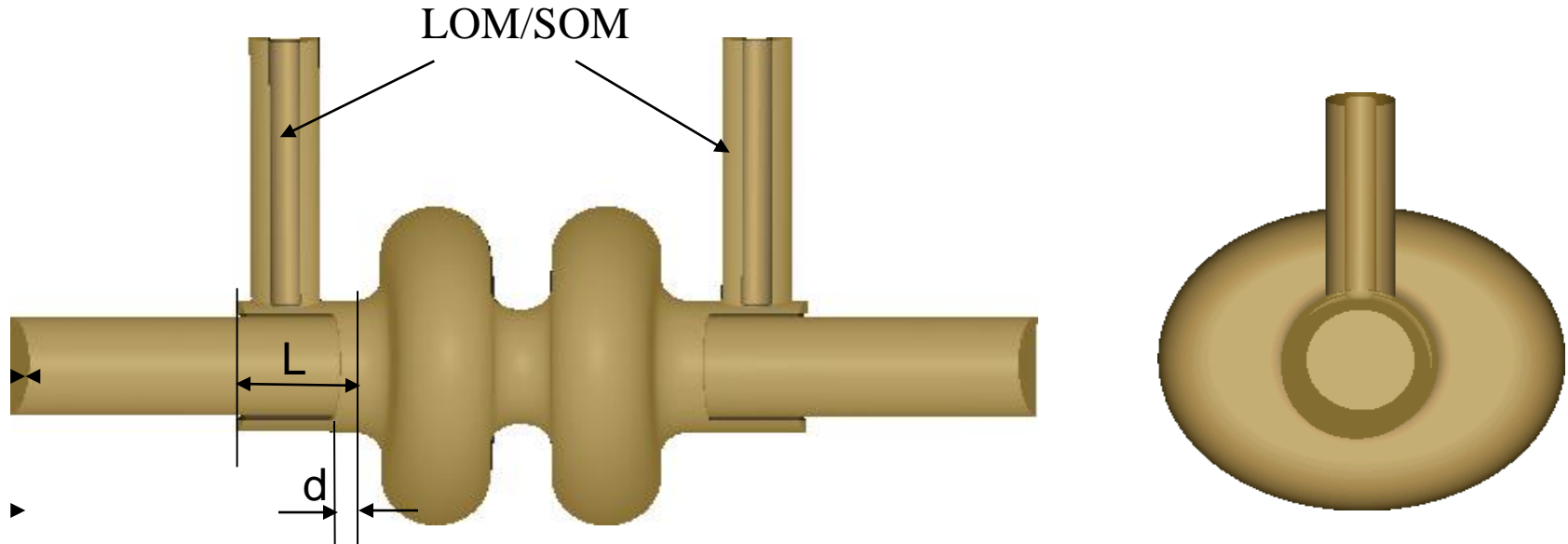
Damping Requirement

Courtesy F. Zimmermann, R. Calaga



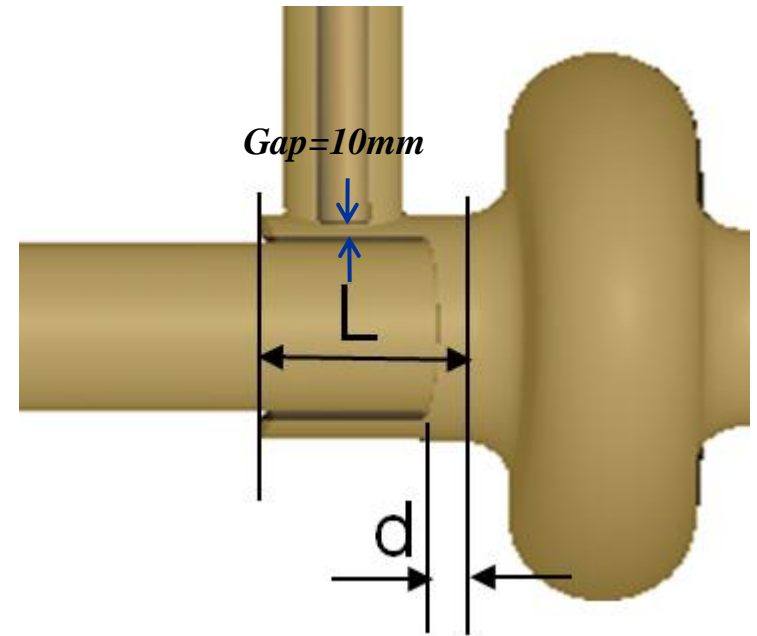
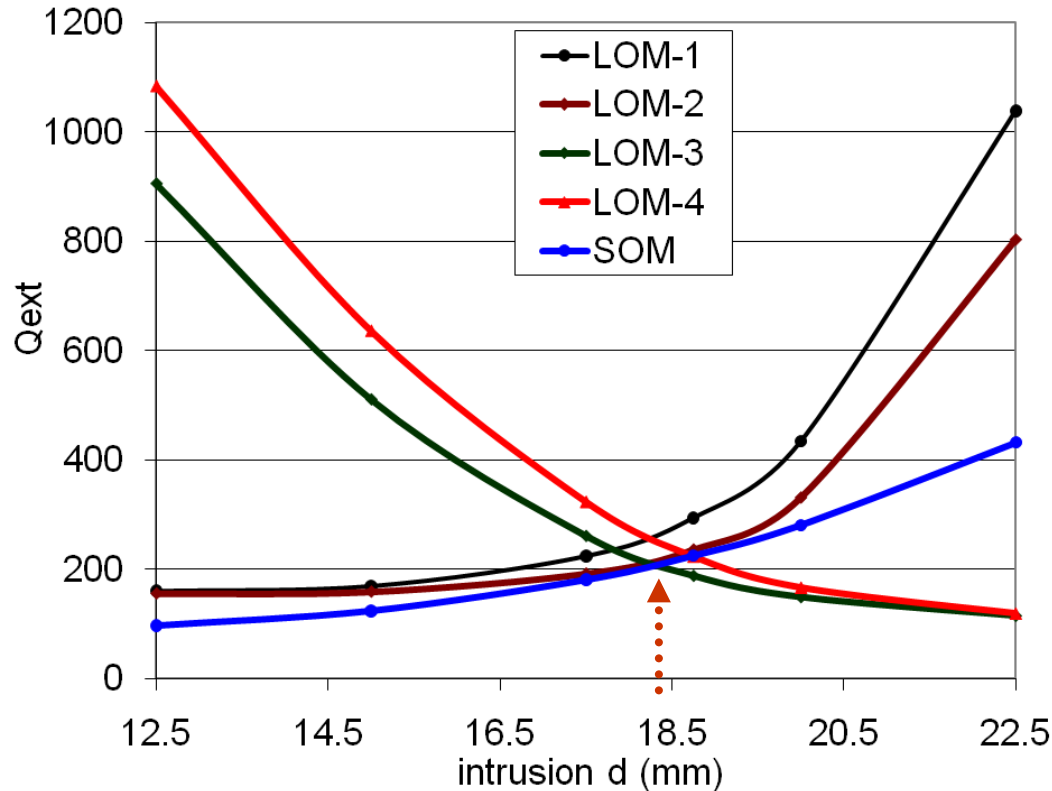
Strong damping needed for high R/Q
LOM and SOM modes

LOM/SOM Coax-to-Coax Coupler Design



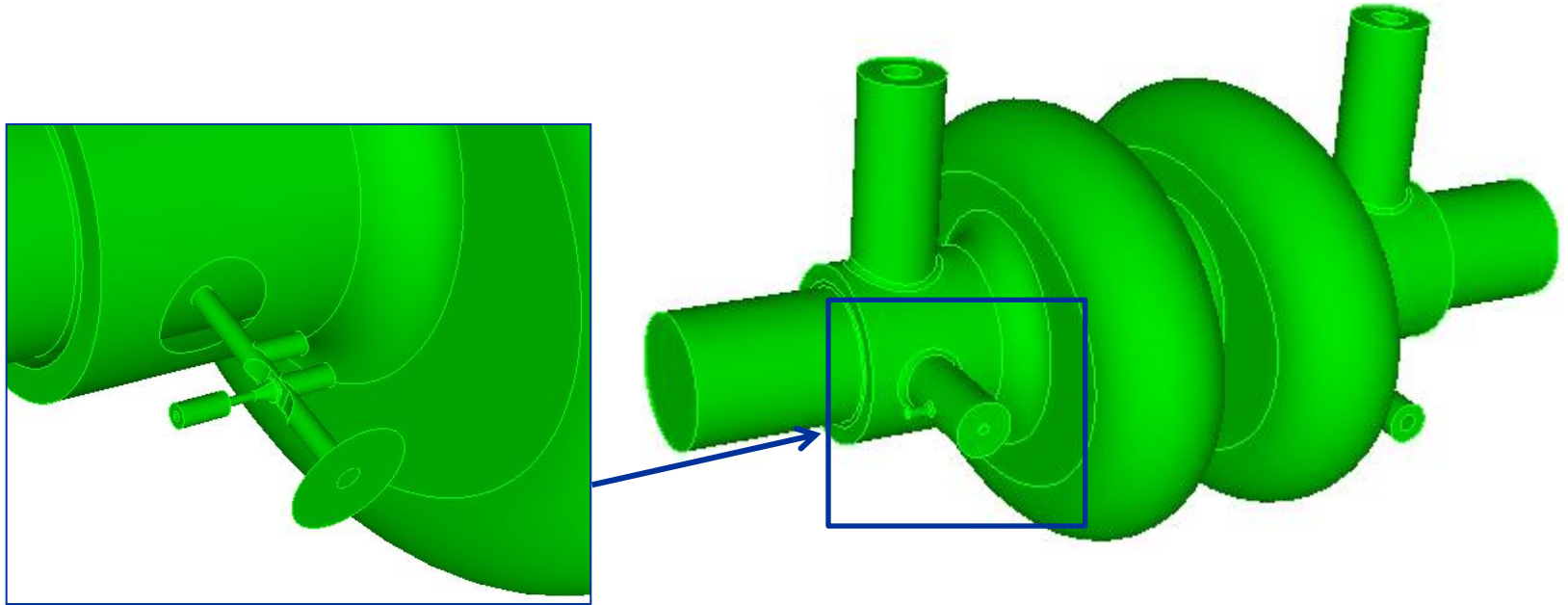
- Compact structure that can provide strong damping to unwanted modes
- Use the electric node in the vertical plane to reject operating mode. No filter needed. Can handle potential large beamloading power

LOM/SOM Optimization



- There are two additional LOM modes due to the coupling of the cavity modes to the shorted coaxial beampipe TEM modes.
- Using a smaller gap can further improve the LOM and SOM damping.

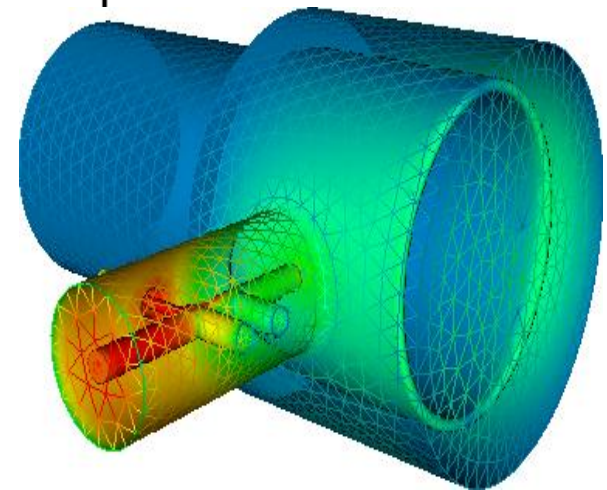
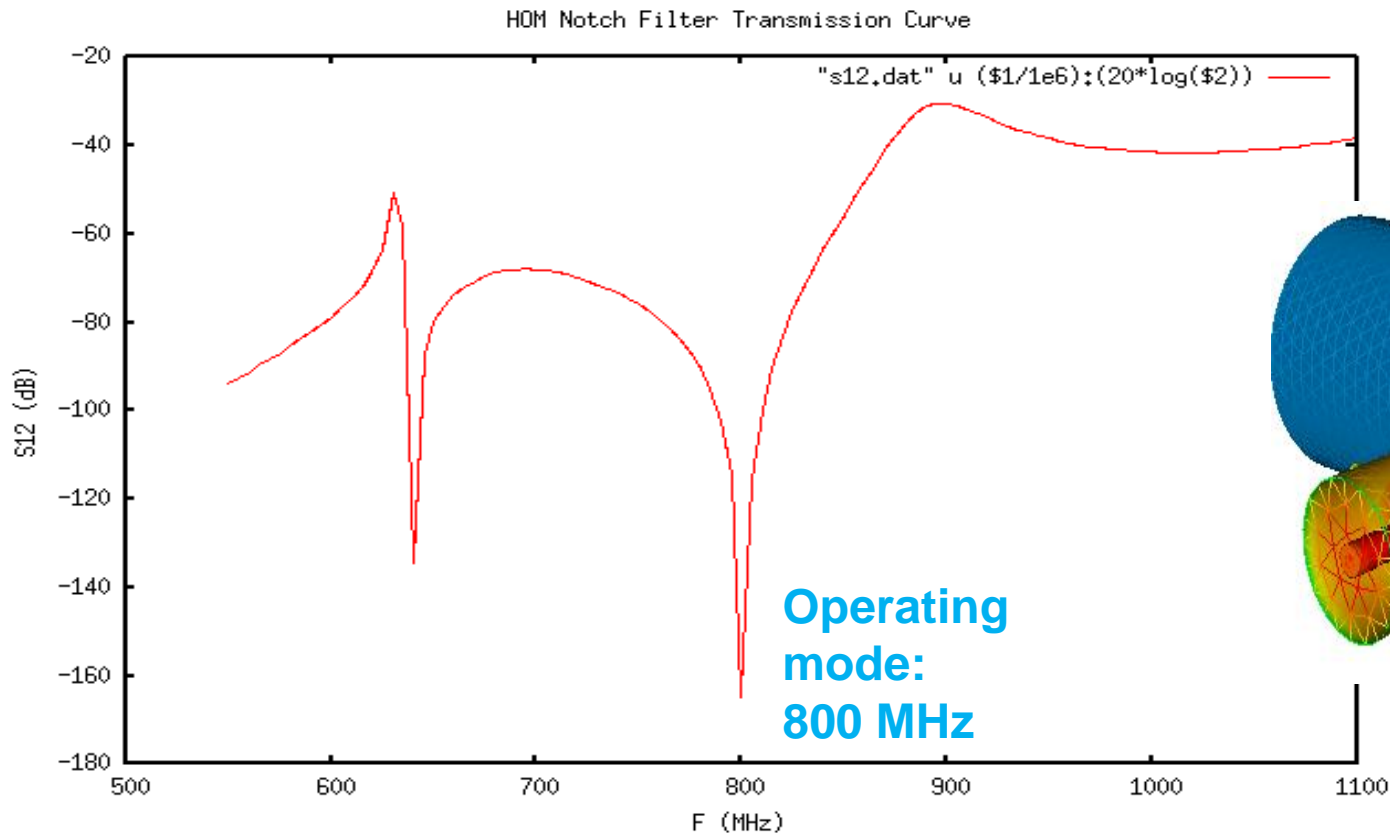
HOM Coupler Design



- Damp horizontal plane dipole modes
- Two-stub antenna geometry
- With notch filter to reject the operating TM₁₁₀ mode at 800MHz.

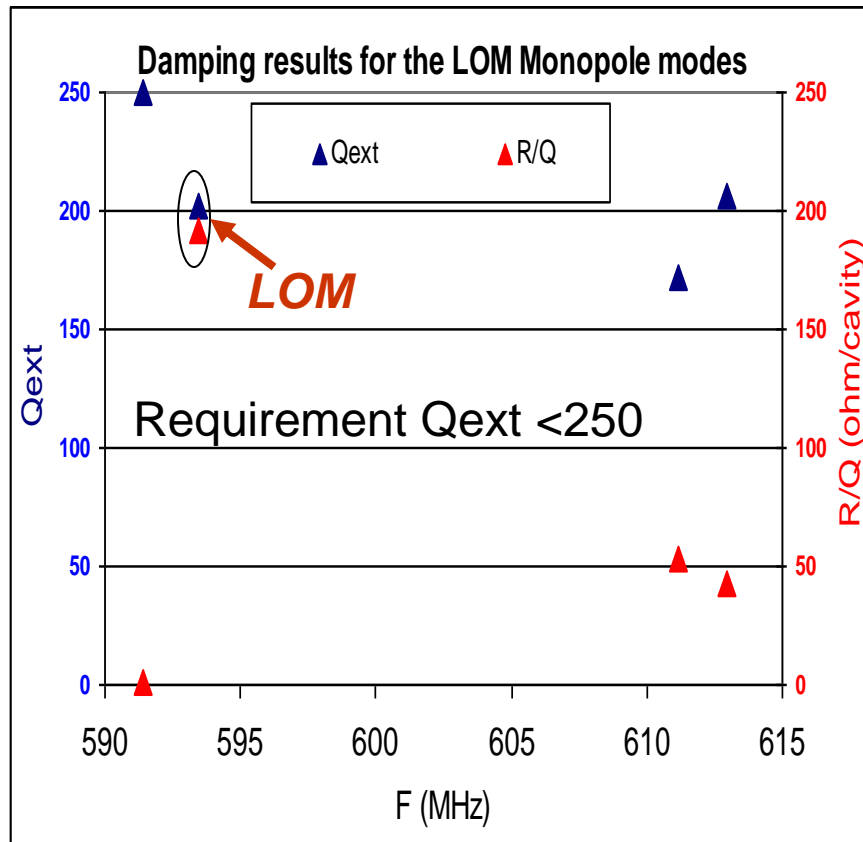
HOM filter Transmission Curve

- Notch filter sensitivity: 0.2MHz/micron
- As a comparison: TESLA cavity HOM Filter @1.3GHz : 0.1MHz/micron

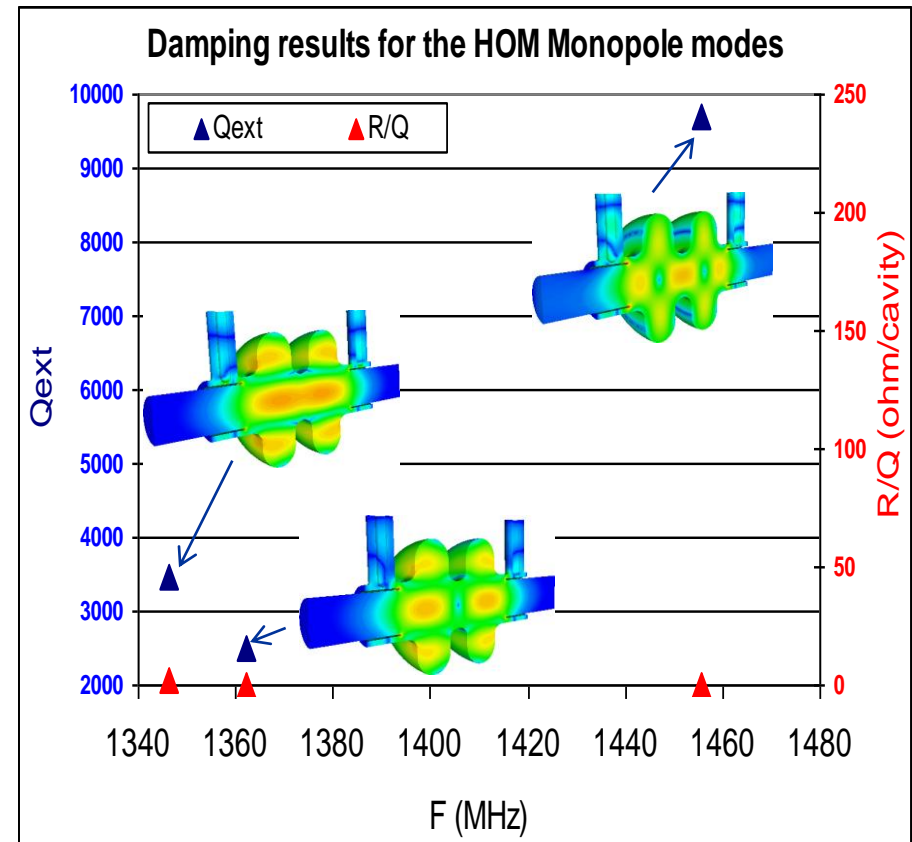


Damping Results: Monopole Mode

LOM Monopole Modes

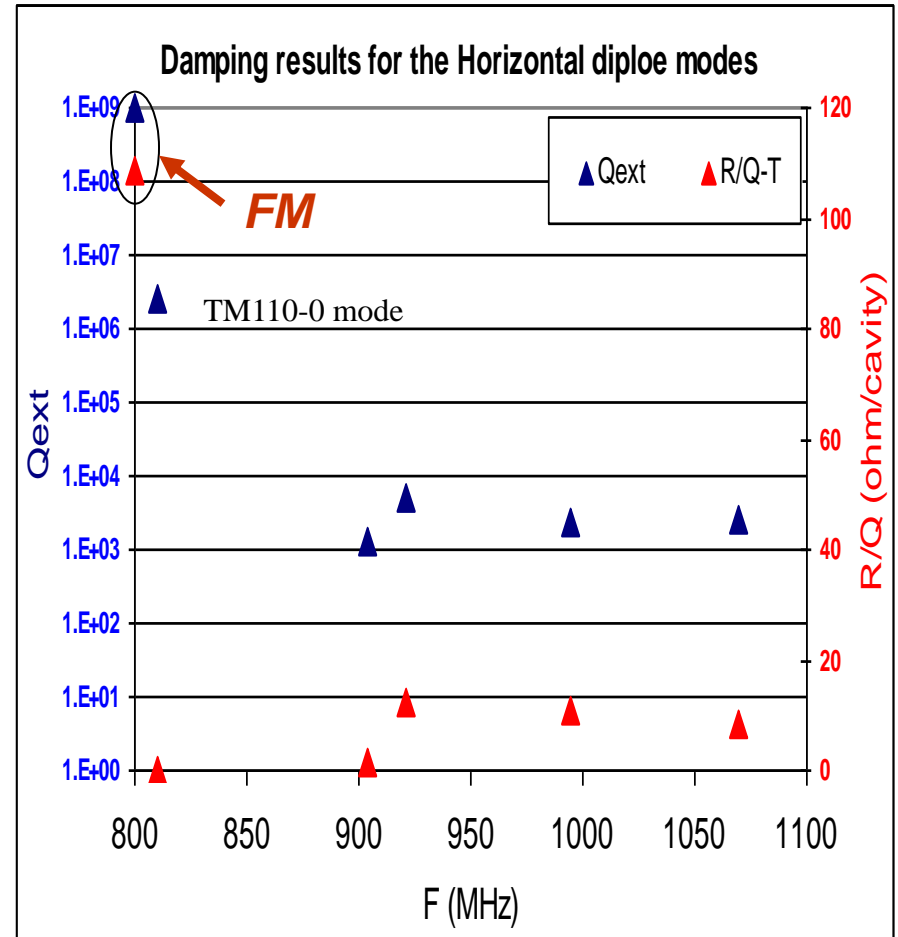
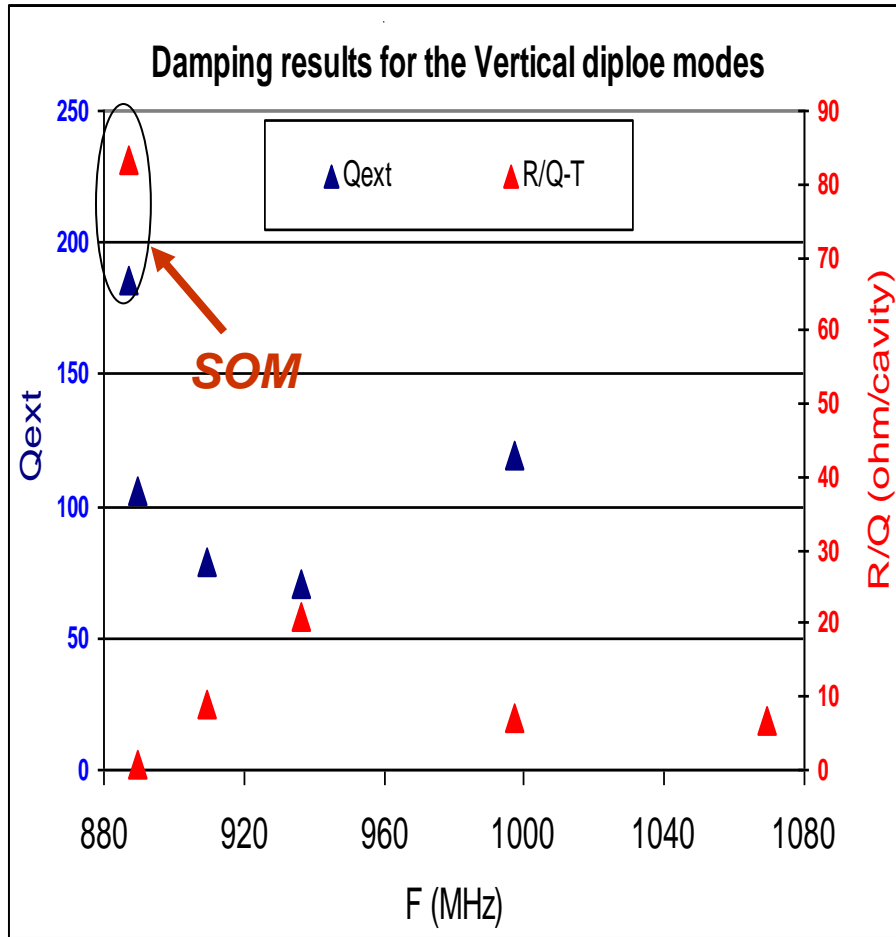


Higher-order Monopole Modes



($F_c = 1.466\text{GHz}$)

Damping Results: Dipole Mode



TM110-0mode damped by FPC

R/Q and Qext of HOM, LOM, SOM

Damping up to
1.5GHz

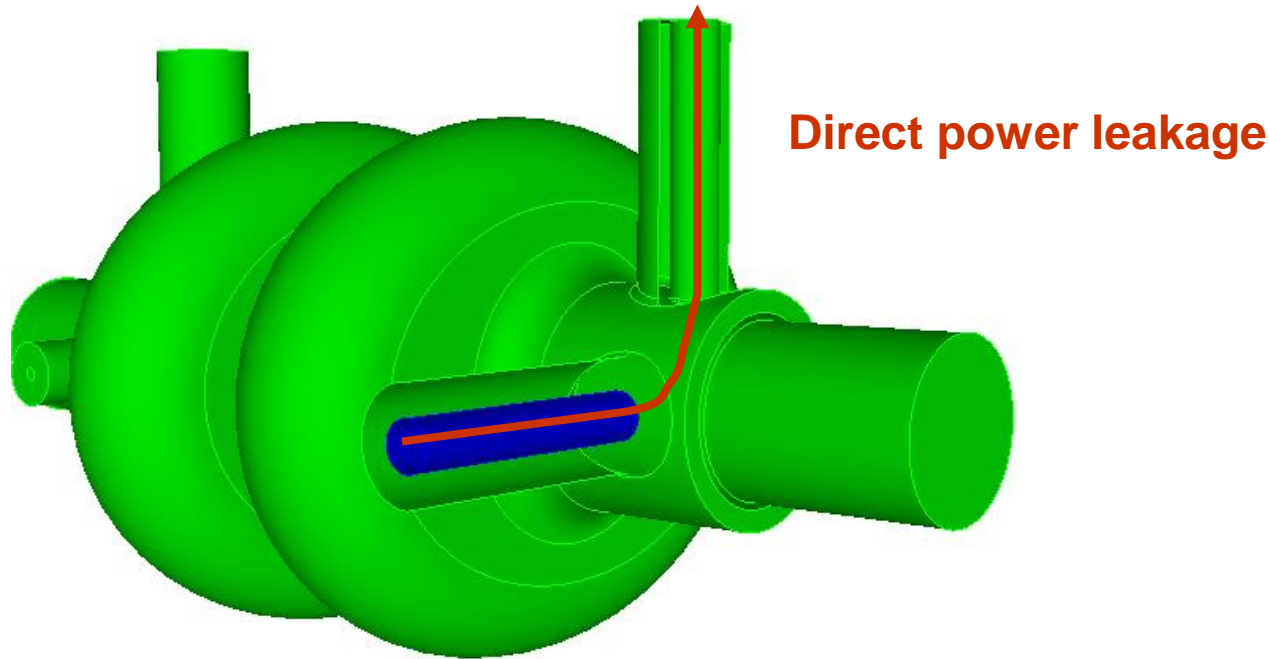
Monopole		
f	R/Q	Qext
5.91E+08	1.10	250
5.93E+08	191.20	202
6.11E+08	53.10	172
6.13E+08	42.40	206
1.35E+09	2.30	3464.16
1.36E+09	0.40	2491.76
1.46E+09	0.00	9705

Horizontal Dipole		
f	R/Q_T	Qext
8.00E+08	117.00	1.00E+06
8.10E+08	0.03	1.00E+06
9.04E+08	1.30	1332.8
9.21E+08	12.40	5181.53
9.95E+08	10.70	2431.54
1.07E+09	8.50	2555.57

Vertical Dipole (SOM)		
f	R/Q_T	Qext
8.87E+08	83.40	185
8.90E+08	0.64	106
9.09E+08	9.10	79
9.36E+08	20.99	71
9.97E+08	7.10	119
1.07E+09	6.90	322

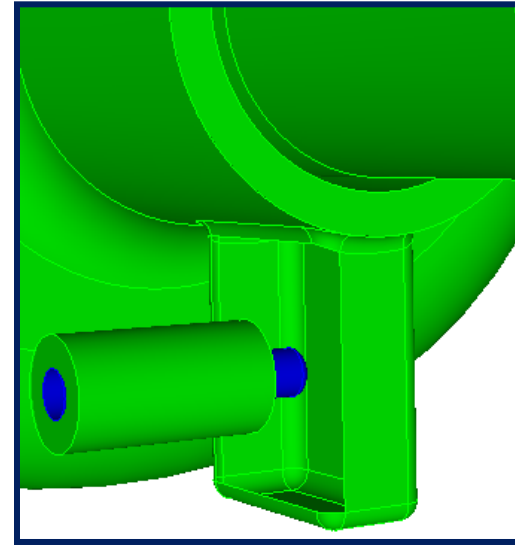
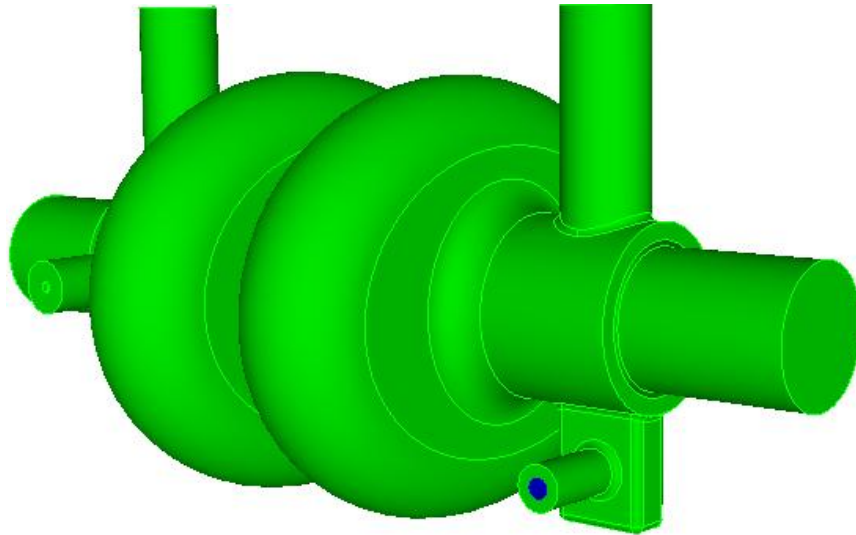
-
- Design Considerations
 - Shape and frequency considerations
 - 800-MHz elliptical cell optimization
 - LOM, SOM, HOM damping coupler design
 - **Input power coupler design**
 - Multipacting analysis
 - Tolerance Studies
 - Beamloading and power requirement
 - Summary

Original FPC With Electric Coupling



- FPC – coax coupler electrically couples to operating mode
- Found significant coupling to the LOM/SOM coupler – **large power leakage**
- **Need a different design to eliminate coupling**

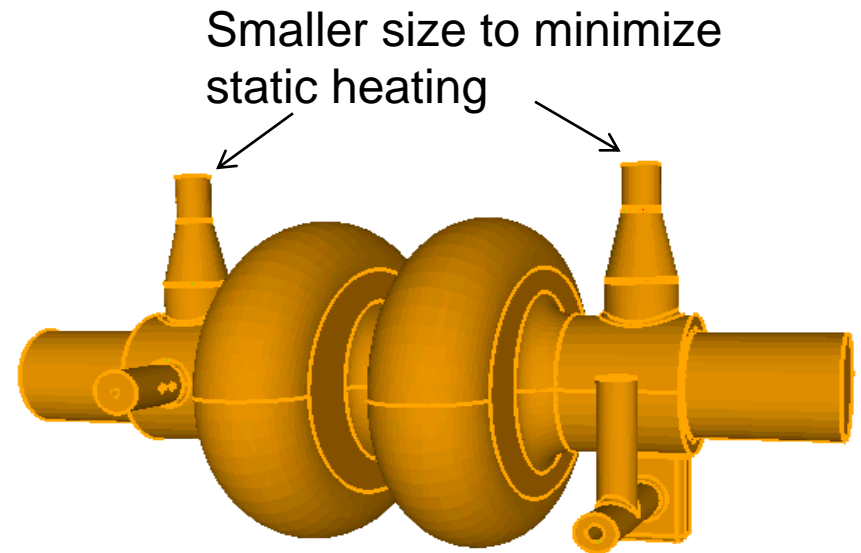
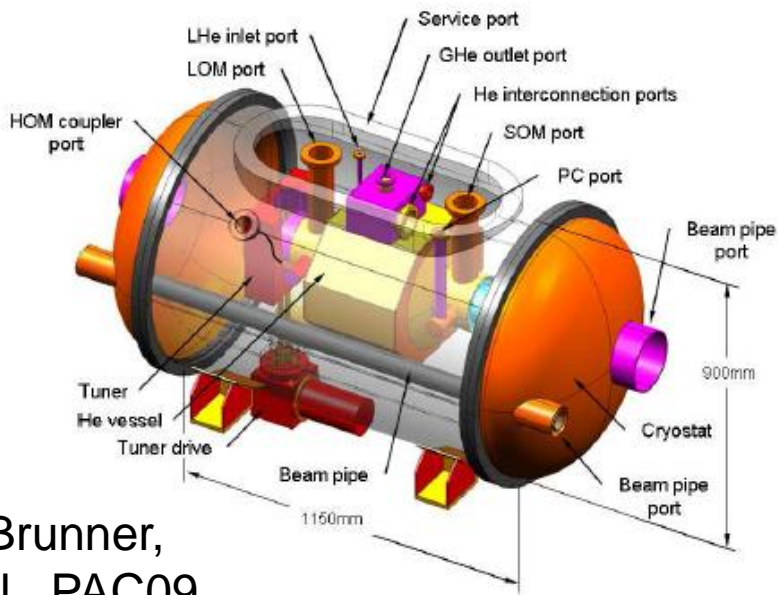
Input Coupler With Magnetic coupling



- Coax coupler with a waveguide stub in the vertical plane to establish magnetic coupling
 - Electric node at the LOM/SOM coupler preserved
 - Eliminates FPC to LOM/SOM coupling
- Coupling sensitive to position of coax tip (can achieve Q_{ext} as low as 10^4 if needed, e.g. in case of cavity is off)

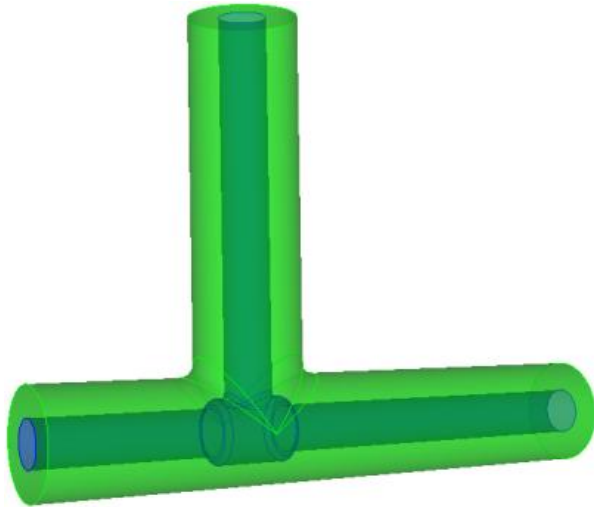
Integration Into Cryostat

- LOM/SOM coupler tapered to smaller radius to minimize static heating – (no effects on damping)
- Elbow to turn FPC to vertical direction, (cryostat can only have ports on top)

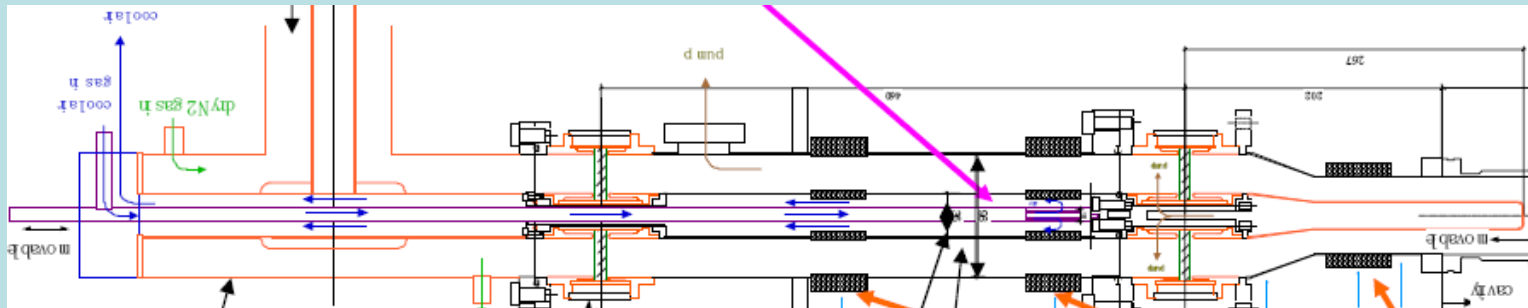


O. Brunner,
et al., PAC09

The FPC Elbow



- To turn FPC to upright orientation
- Tristan Used similar design

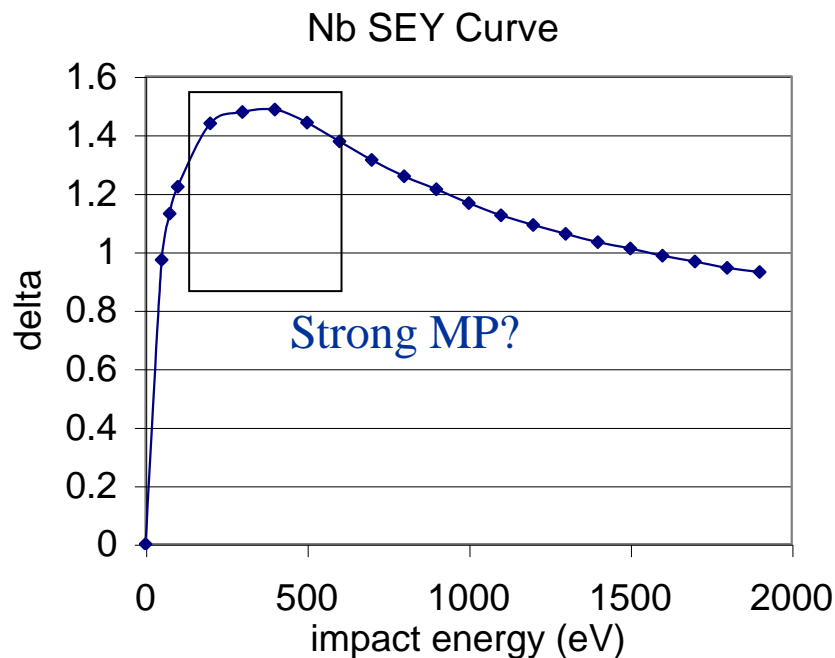


Tristan Coupler

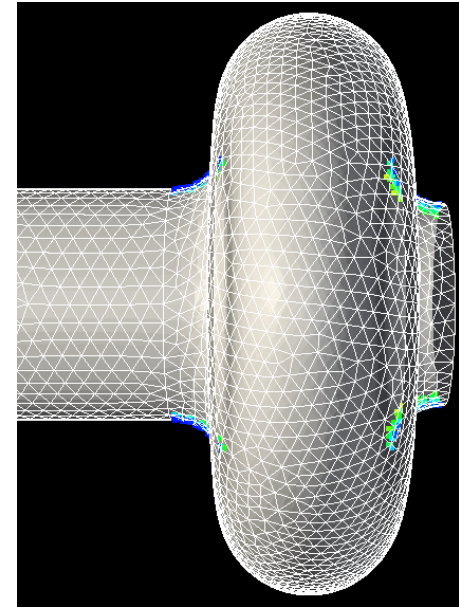
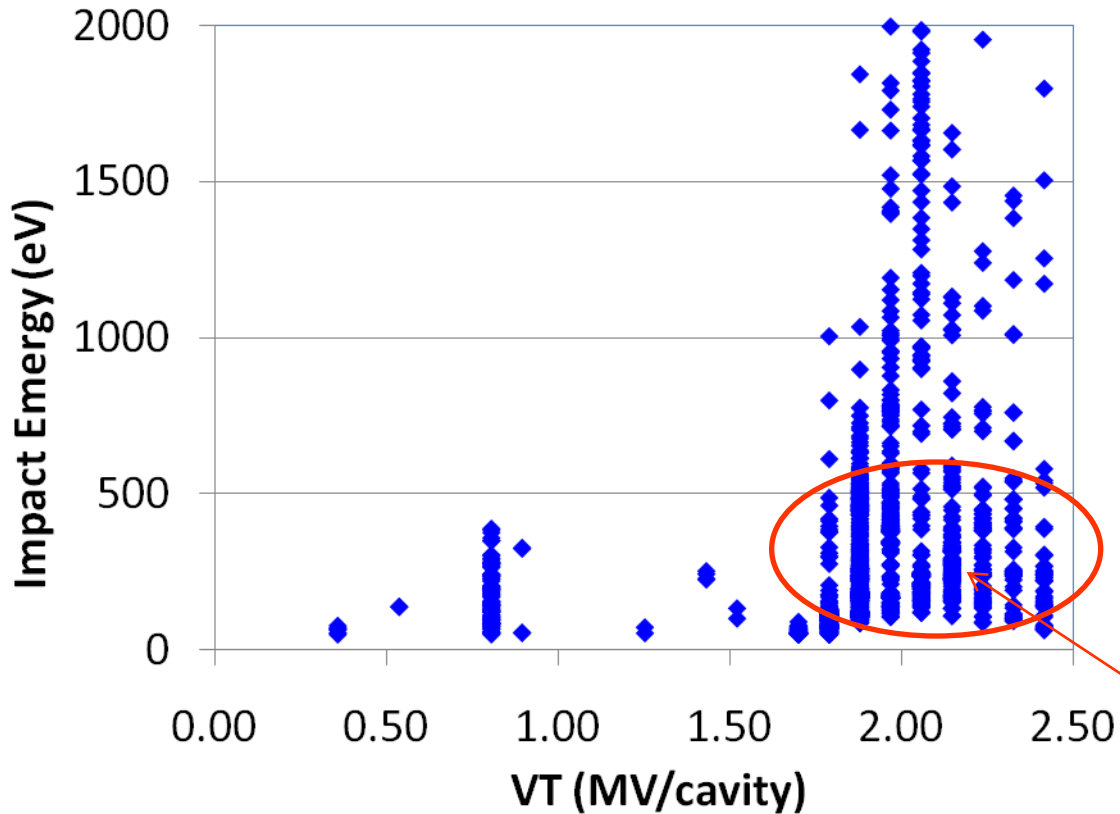
-
- Design Considerations
 - Shape and frequency considerations
 - 800-MHz elliptical cell optimization
 - LOM, SOM, HOM damping coupler design
 - Input power coupler design
 - **Multipacting analysis**
 - Tolerance Studies
 - Beamloading and power requirement
 - Summary

Multipacting

- Scan surface and field level
- Search for resonant trajectories
- Impact energy indicates MP strength (by SEY)
 - Remove potential hard MP barriers



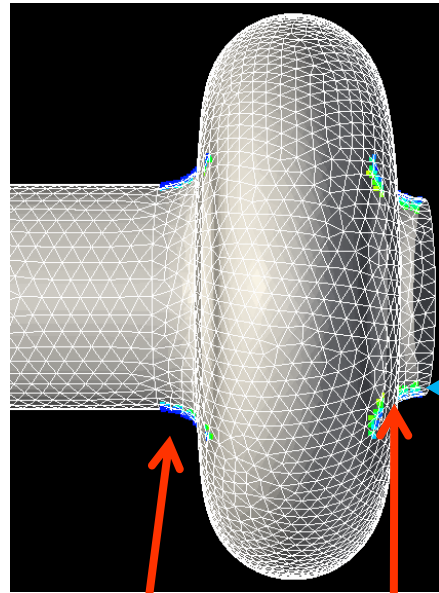
Multipacting Around Disk Iris



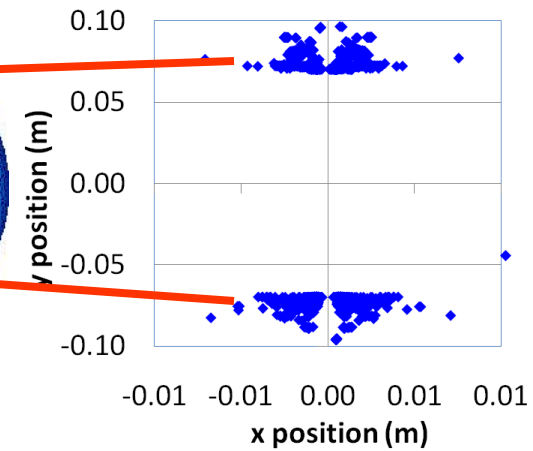
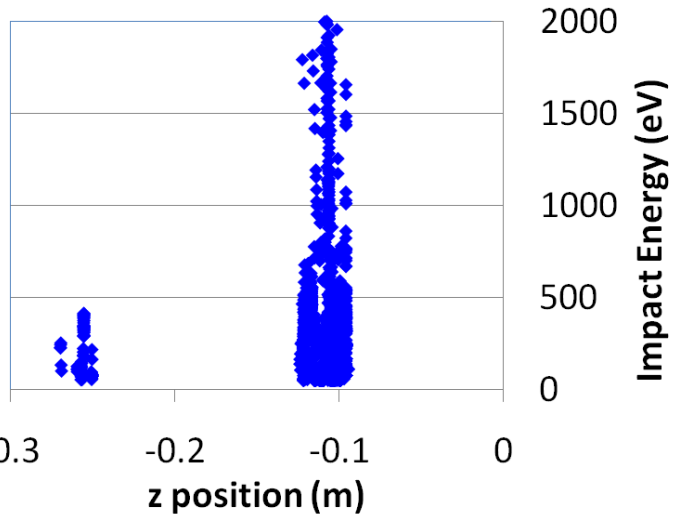
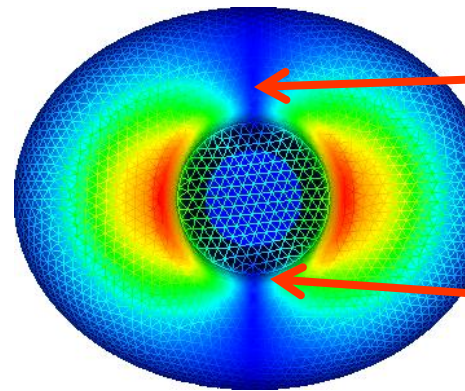
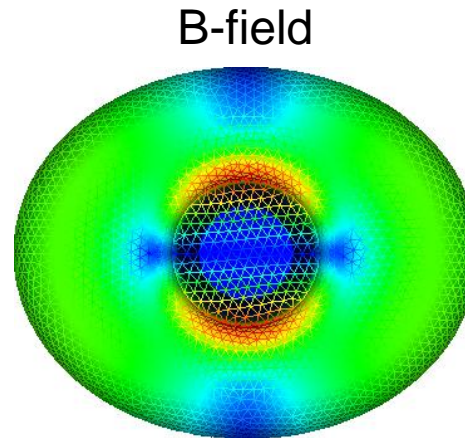
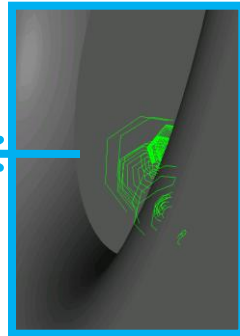
MP band around operating voltage

MP at the similar location found in KEKB 509MHz crab cavity, it was processed through.

MP location and impact energy

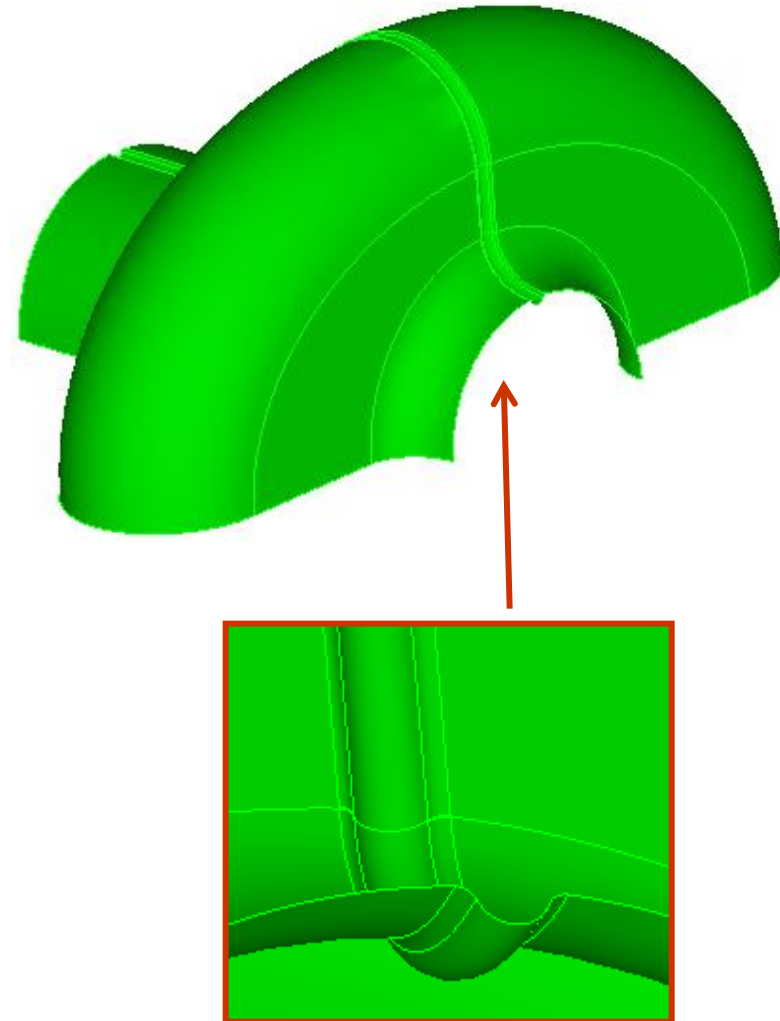
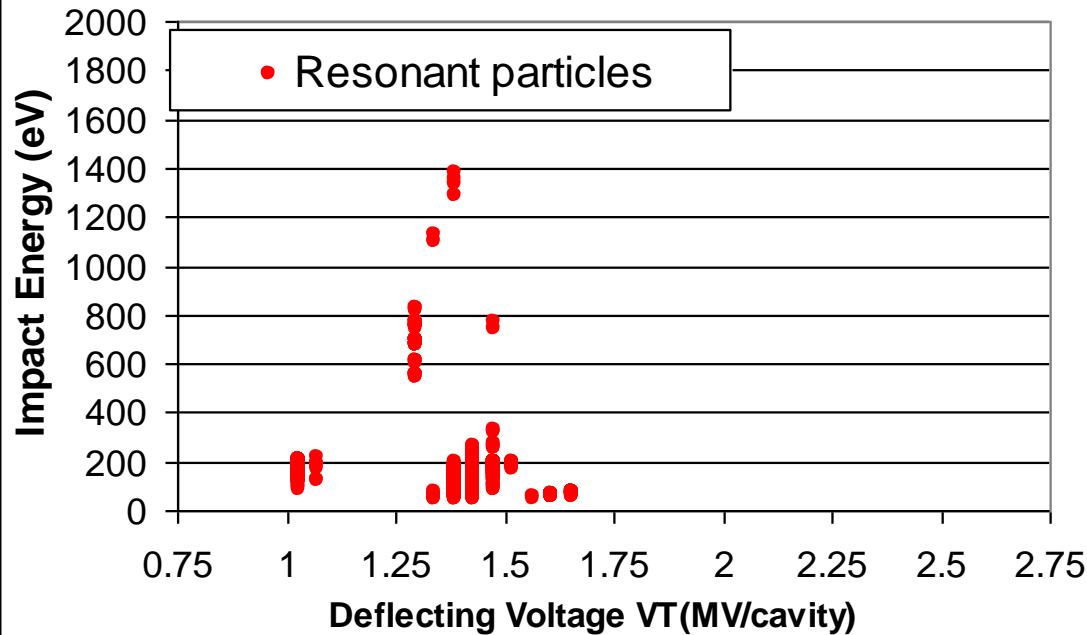


2-point,
(0.5, 1, 1.5 order)



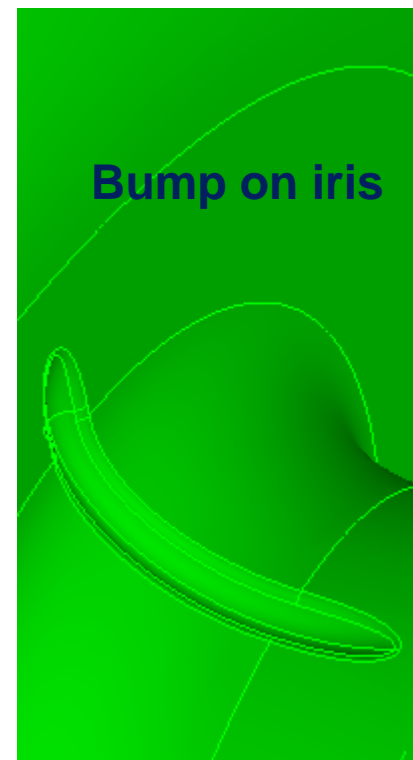
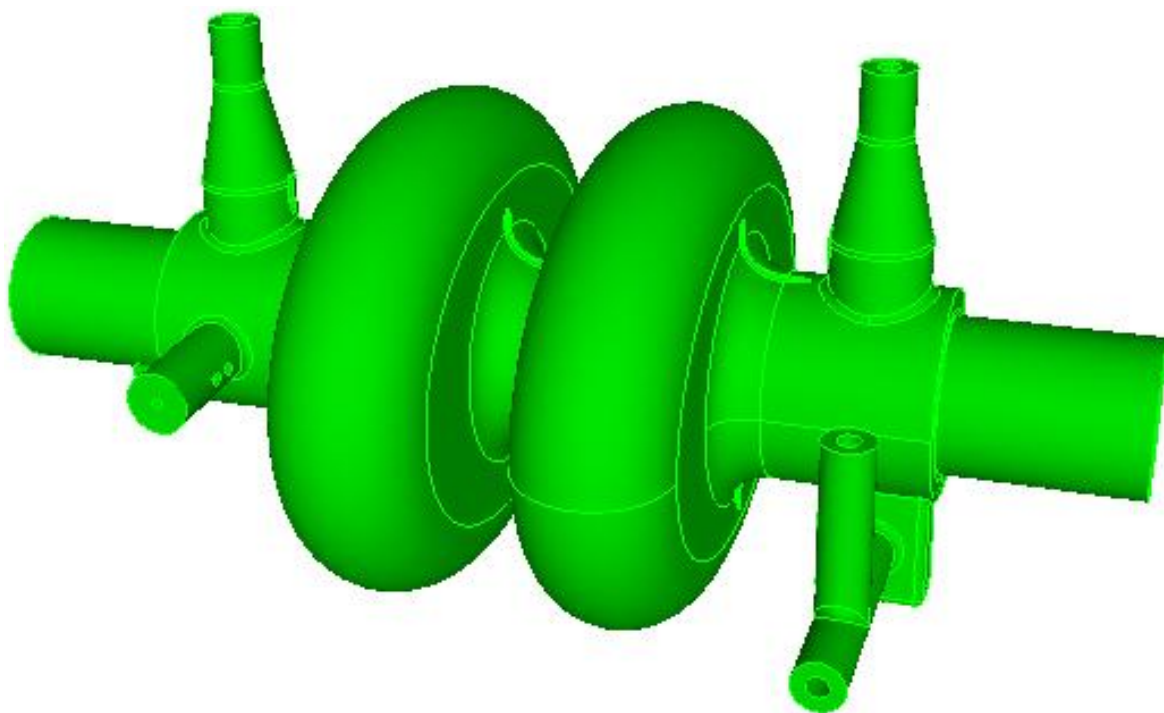
Groove On Disk To Suppress MP

Multipacting Electrons

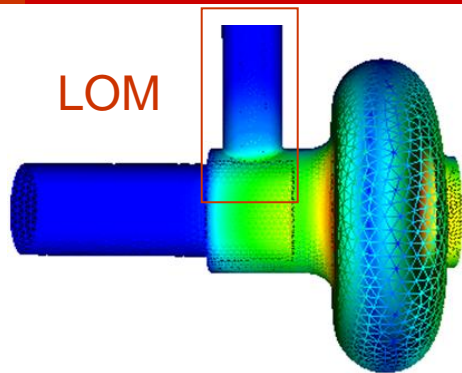


Adding groove along the vertical symmetry plane can suppress MP, with little effects on operating mode RF parameters.

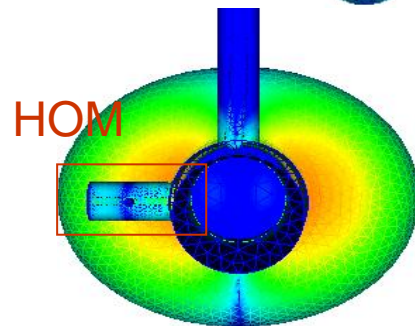
- MP bump only around the disk iris, if more practical in engineering



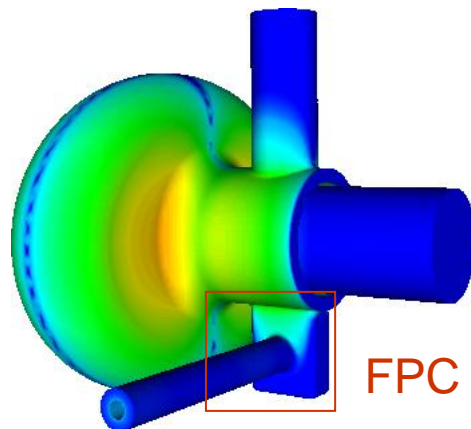
MP in the LOM/HOM/FPC Coupler



With fully rounded tip of LOM center conductor,
No MP found



Found MP in HOM notch filter gap within
 $V_t=1.5\text{MV} \sim 2\text{MV}$., which can be suppressed by
modifying the tip of probe

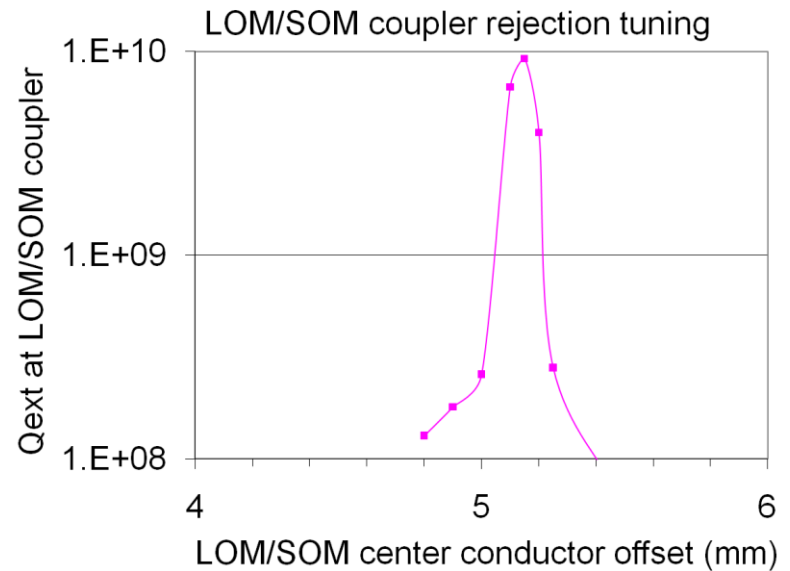
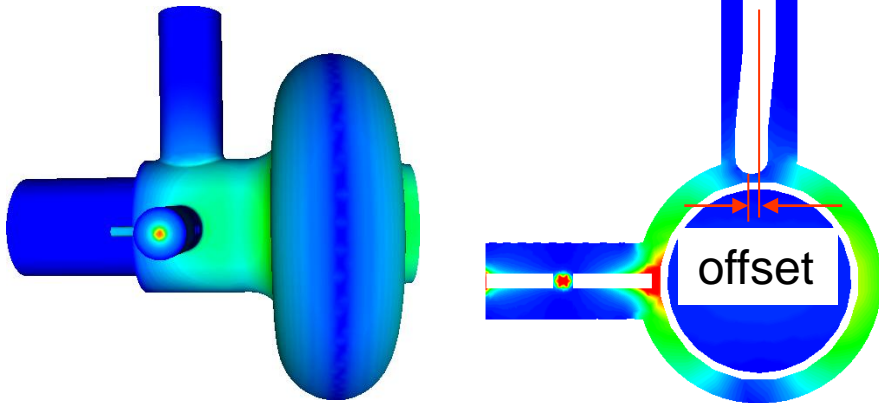


Found resonant trajectories with low
Impact Energy (<130 eV.)
Not likely a big problem

-
- Design Considerations
 - Shape and frequency considerations
 - 800-MHz elliptical cell optimization
 - LOM, SOM, HOM damping coupler design
 - Input power coupler design
 - Multipacting analysis
 - **Tolerance Studies**
 - Beamloading and power requirement
 - Summary

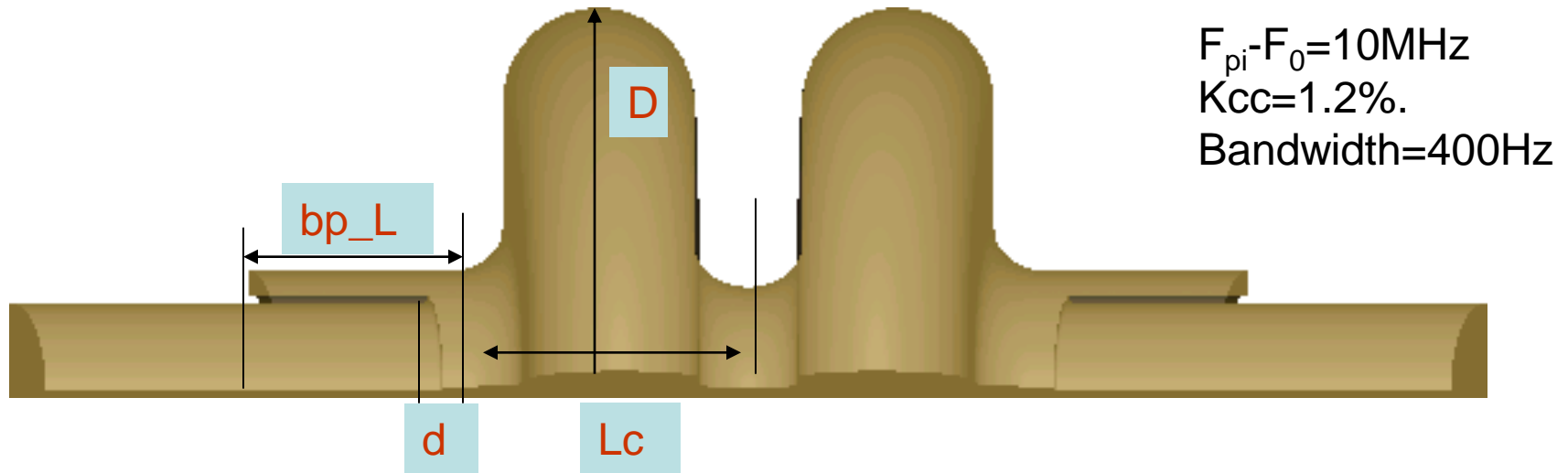
FM Rejection Of LOM/SOM Coupler

- HOM coupler cause slight shift of electric node off the vertical plane
- The center conductor LOM/SOM coupler need to be slightly off the symmetry plane in order to preserve rejection to the operating mode
 - attached a adjustable tip (bent)



Curve width also indicates coupling sensitivity to position

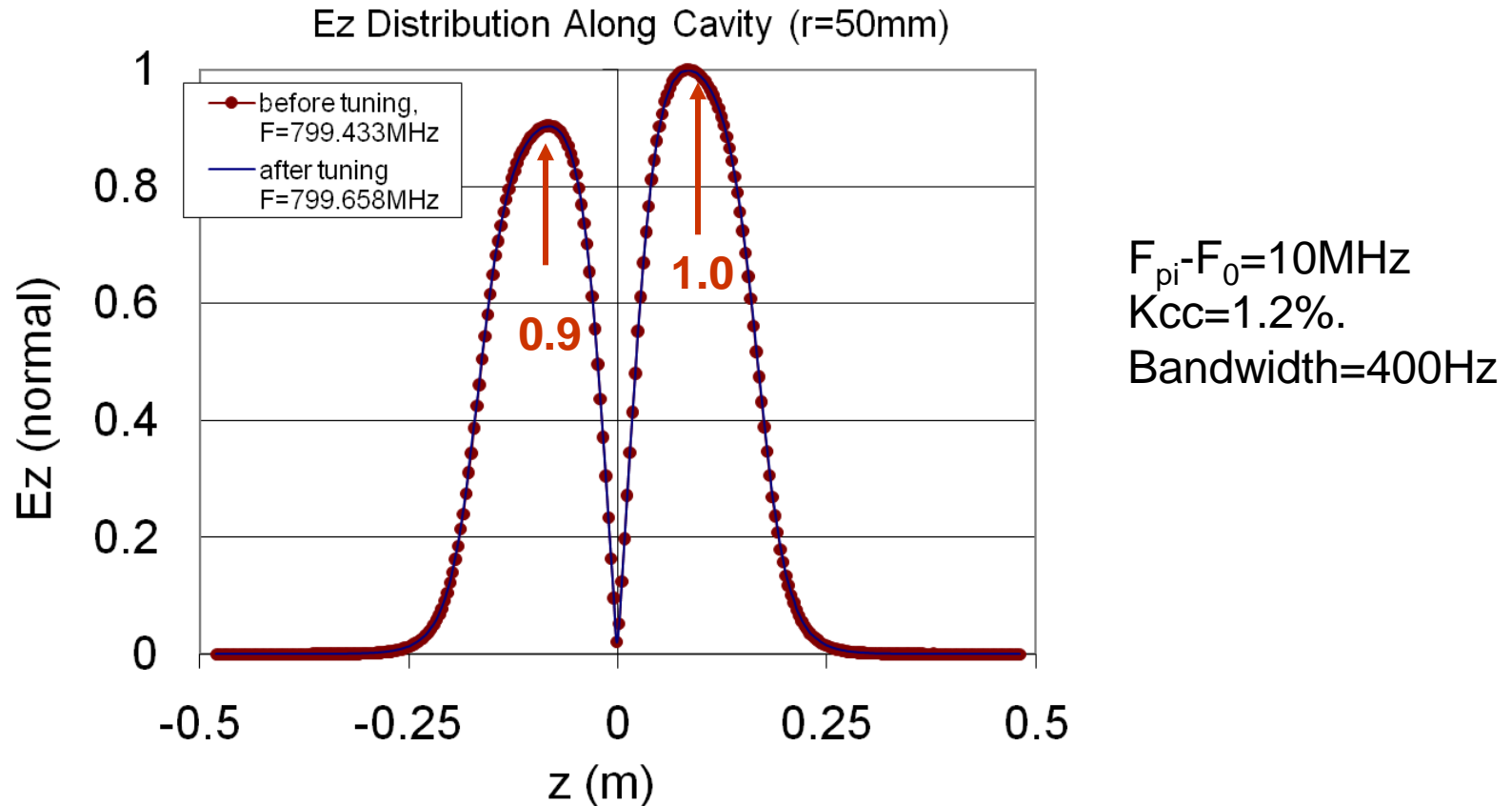
Cavity Dimension Tolerance



parameters	Equator Radius D	Cell Length Lc	Coax tube Length bp_L	Coax tube Intrusion d
Df/d_size/cell	3.2MHz/mm	452KHz/mm	56KHz/mm	30KHz/mm

Modes damping have reasonable sensitive to these parameters
 (see LOM/SOM optimization page)

Field Flatness due to Imperfections



- **1 MHz cell frequency difference can cause about 10% field imbalance.**
- **Cavity impedance changes are negligible due to this imperfection.**
- **This field imbalance does not cause significant change in damping**

-
- Design Considerations
 - Shape and frequency considerations
 - 800-MHz elliptical cell optimization
 - LOM, SOM, HOM damping coupler design
 - Input power coupler design
 - Multipacting analysis
 - Tolerance Studies
 - **Beamloading and power requirement**
 - Summary

Beam Power Due to Unwanted Modes

- Assuming beam on resonance of all modes
- $I_0=0.582$ A
- $\sigma_z=0.0755$ m

$$P_{beam,mono,n} = I_0^2 e^{-\frac{\omega_n^2 \sigma_z^2}{c^2}} \left(\frac{R}{Q} \right)_{L,n} Q_{Loaded,n}$$

$$P_{beam,dip,n}(r_b) = I_0^2 e^{-\frac{\omega_n^2 \sigma_z^2}{c^2}} \left(\frac{R}{Q} \right)_{T,n} Q_{Loaded,n} \left(\frac{\omega}{c} r_b \right)^2$$

Beam Power (on resonance)

$\epsilon=0.582A$

$\text{sigmaz}=0.0755$

MONO	f	Qext	R/Q	R	R*I*(w)*G*G
	5.91E+08	250	1.10	2.75E+02	3.89E+01
	5.93E+08	202	191.20	3.86E+04	5.43E+03
	6.11E+08	172	53.10	9.13E+03	1.22E+03
	6.13E+08	206	42.40	8.73E+03	1.16E+03
	1.35E+09	3464.16	2.30	7.97E+03	2.92E+01
	1.36E+09	2491.76	0.40	9.96E+02	3.26E+00
	1.46E+09	9705	0.00	1.90E+01	3.22E-02
Total Mono Power (W)					7.87E+03

vertical dip	f	Qext	R/Q_T	R at 0.001m	
	8.871E+08	185	83.40	5.334	2.53E-01
	8.896E+08	106	0.64	0.024	1.10E-03
	9.092E+08	79	9.10	0.260	1.12E-02
	9.362E+08	71	20.99	0.571	2.16E-02
	9.971E+08	119	7.10	0.369	1.04E-02
	1.070E+09	322	6.90	1.115	2.16E-02
Total V-dip Power (w) at 1mm					3.19E-01

horizontal dip	f	Qext	R/Q_T	R at 0.001m	
	8.00E+08	1.00E+06	117.00	3.28E+04	2.15E+03
	8.10E+08	1.00E+06	0.03	8.63E+00	5.66E-01
	9.04E+08	1332.8	1.30	6.20E-01	2.72E-02
	9.21E+08	5181.53	12.40	2.39E+01	9.70E-01
	9.95E+08	2431.54	10.70	1.13E+01	3.22E-01
	1.07E+09	2555.57	8.50	1.09E+01	2.11E-01
Total H-HOM power (w) at 1mm					2.10E+00

Dipole Mode Beamloading

- Dipole mode beamloading $V_{T,b}$

$$\left(\frac{R}{Q}\right)_T = \frac{|V_z(r_0)|^2}{\omega U \left(\frac{\omega}{c} r_0\right)^2}$$

$$V_{L,b}(r) = I(\omega) \left(\frac{R}{Q}\right)_T Q_L \left(\frac{\omega}{c} r_b\right)^2$$

$$V_{T,b} = I(\omega) \left(\frac{R}{Q}\right)_T Q_L \left(\frac{\omega}{c} r_b\right)$$

f	Qext	R/Q_T	Vt_b (1mm) (V)
8.00E+08	1.0E+06	117.00	5.02E+05

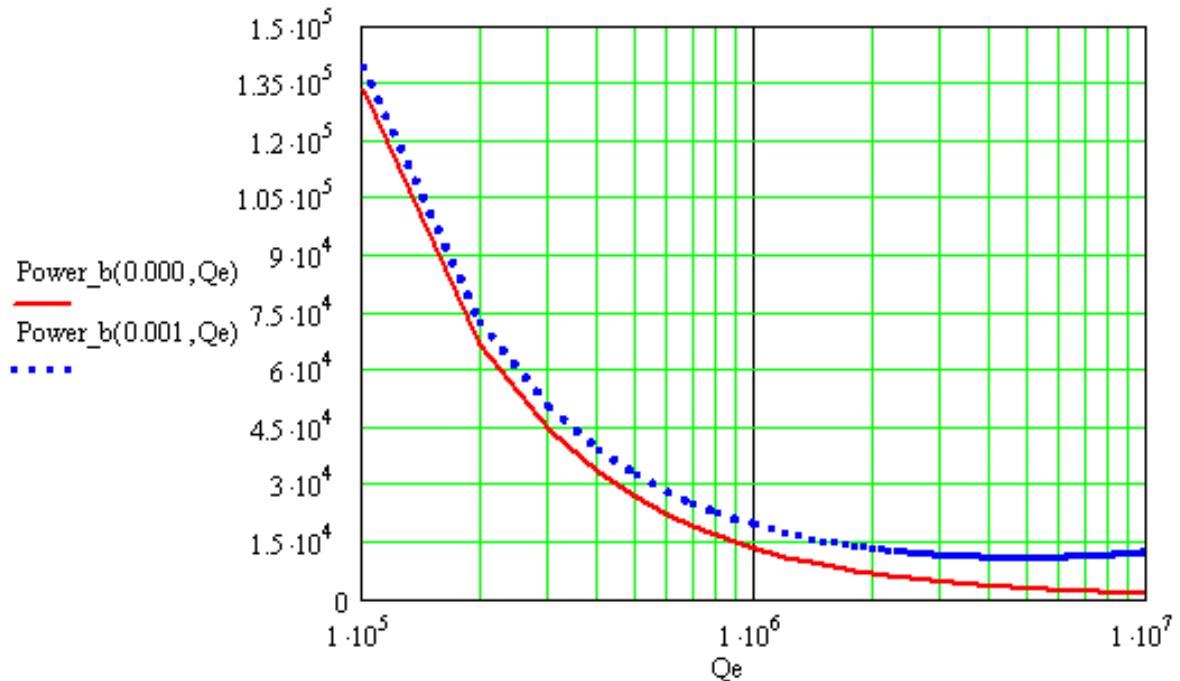
Input Power Requirement

$$V_T = 2 \left(P_{in} \left(\frac{R_T}{Q} \right) \frac{\beta}{1+\beta} Q_L \right)^{1/2}$$

$$V_{T,b} = I(\omega) \left(\frac{R}{Q} \right)_T Q_L \left(\frac{\omega}{c} r_b \right) \quad (\text{beam})$$

$$P_{in,MAX} = \frac{(V_T + V_{T,b})^2}{4 \left(\frac{R_T}{Q} \right) \frac{\beta}{1+\beta} Q_L}$$

- $V_T = 2.5$ MV/cavity
- $(R_T/Q) = 117 \Omega/\text{cavity}$
- $Q_L \cong Q_{ext} = 10^6$
- $P_{in}(r=0) = 13.4$ kW/cavity



Summary

- 800-MHz, 2-cell elliptical shape was chosen as baseline design at LARP-CM11
- Detailed cavity design and optimization performed, progresses are being made to integrate into the cryostat design
 - Optimized shape to minimized the surface E and B fields
 - Optimized LOM/SOM, HOM and FM couplers to meet damping and power requirements
 - Performed MP analyses
Identified potential hard MP barriers
Geometry fixed to removed such barriers
 - Studied cavity dimension sensitivity and tolerances
 - Progress being made (with FNAL) towards a engineering design) – the cryostat integration (FNAL)