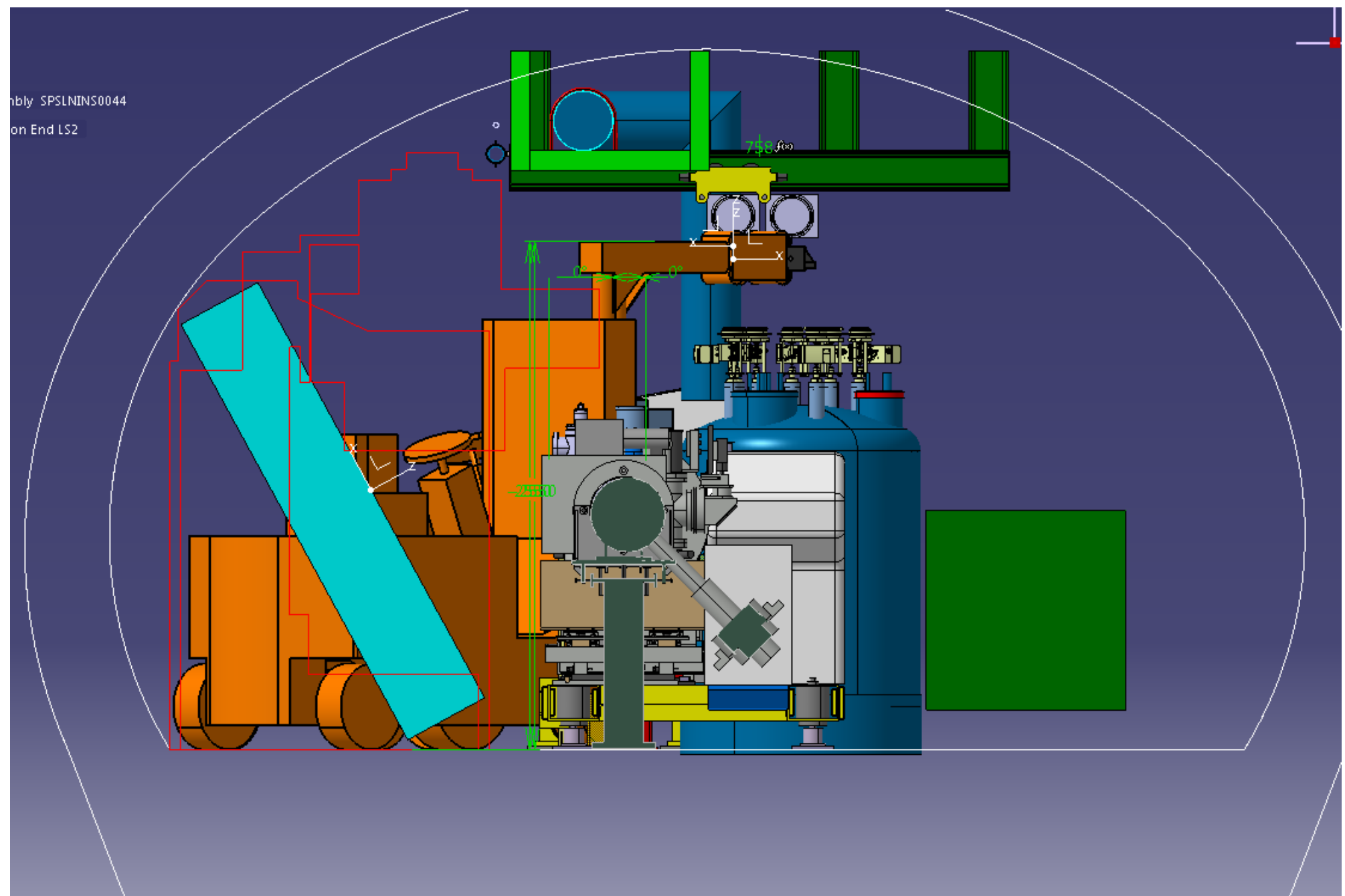
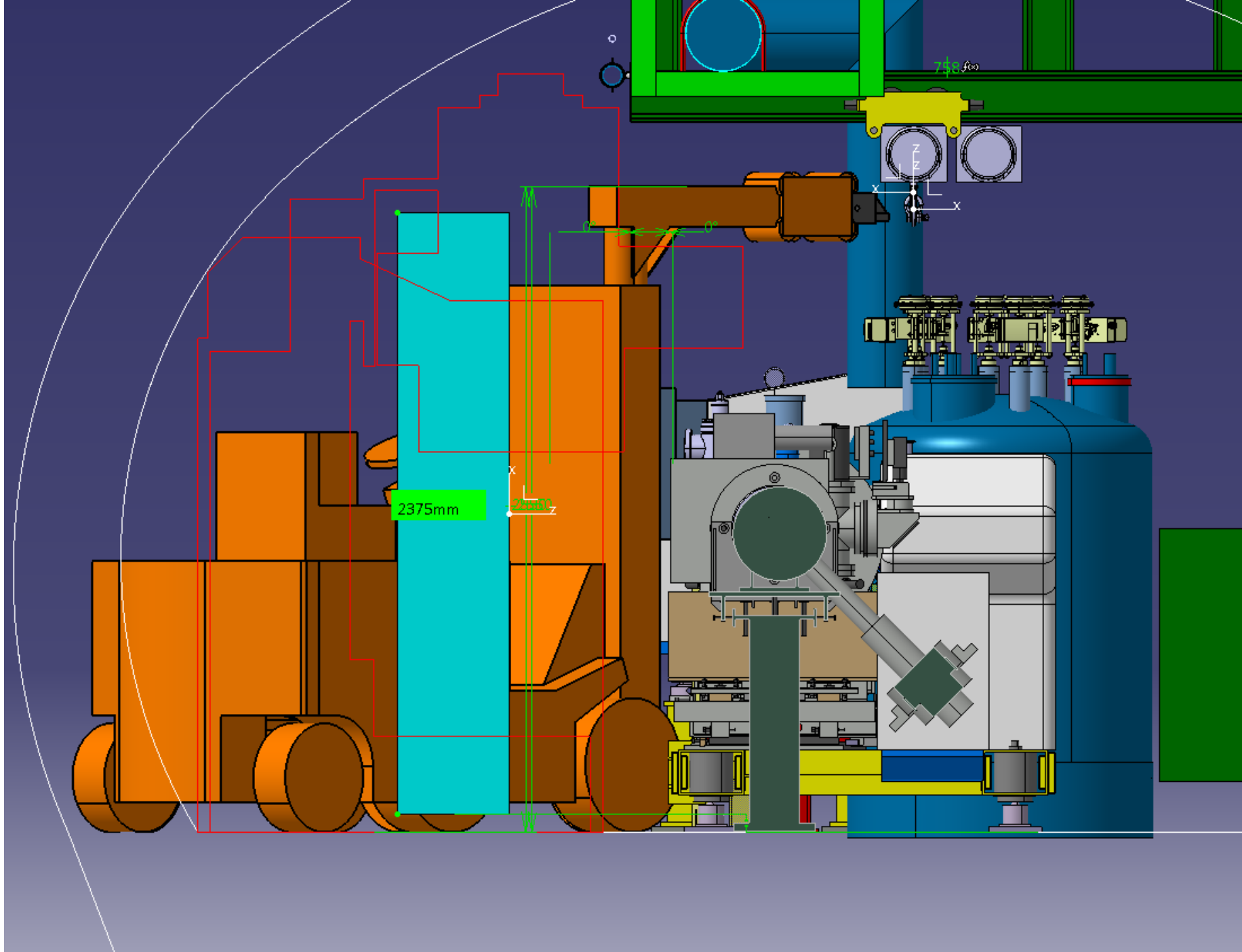


Assembly SPSLNINS0044

on End LS2





2375mm

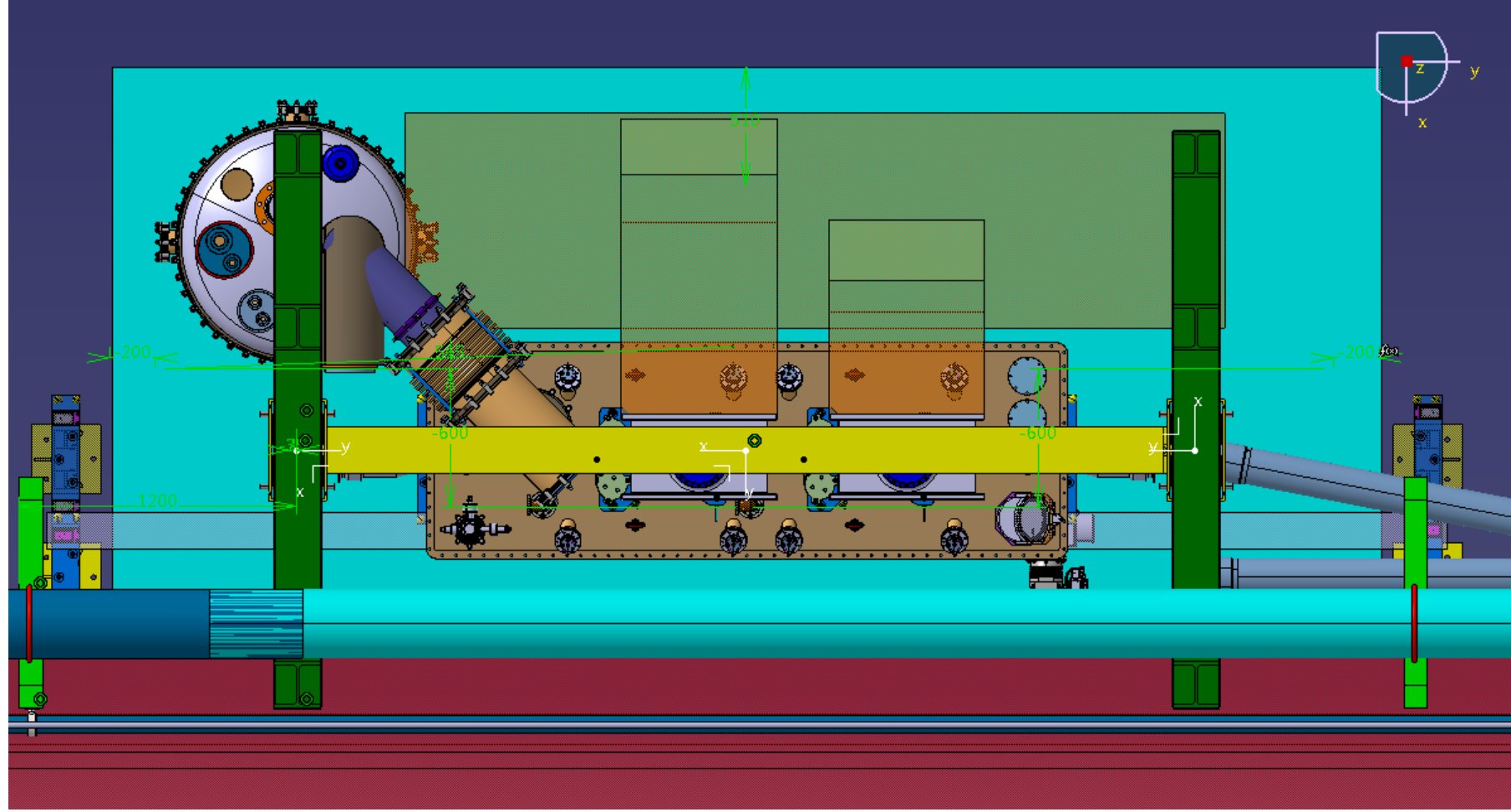
748.600

X

Z

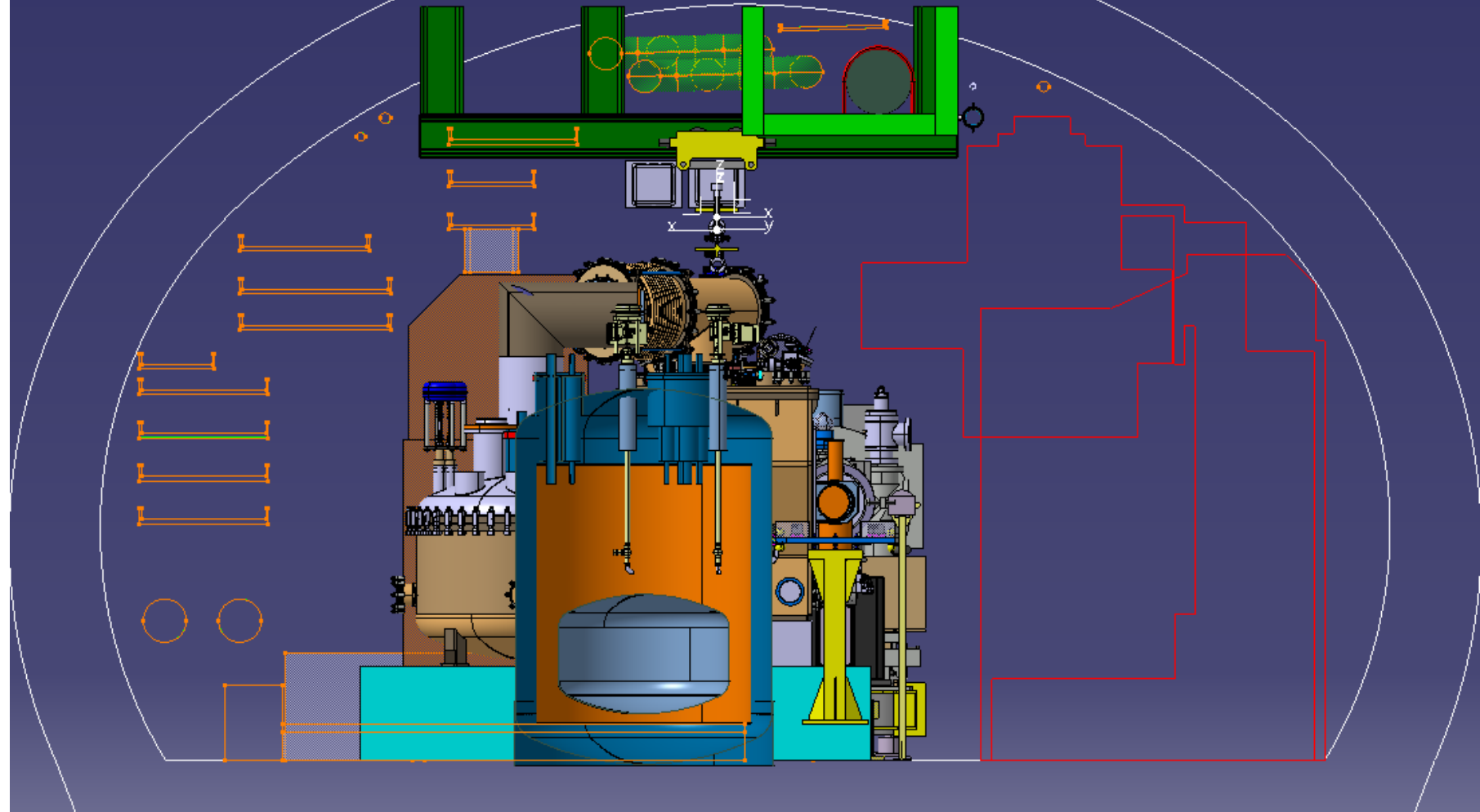
X

- Interferences

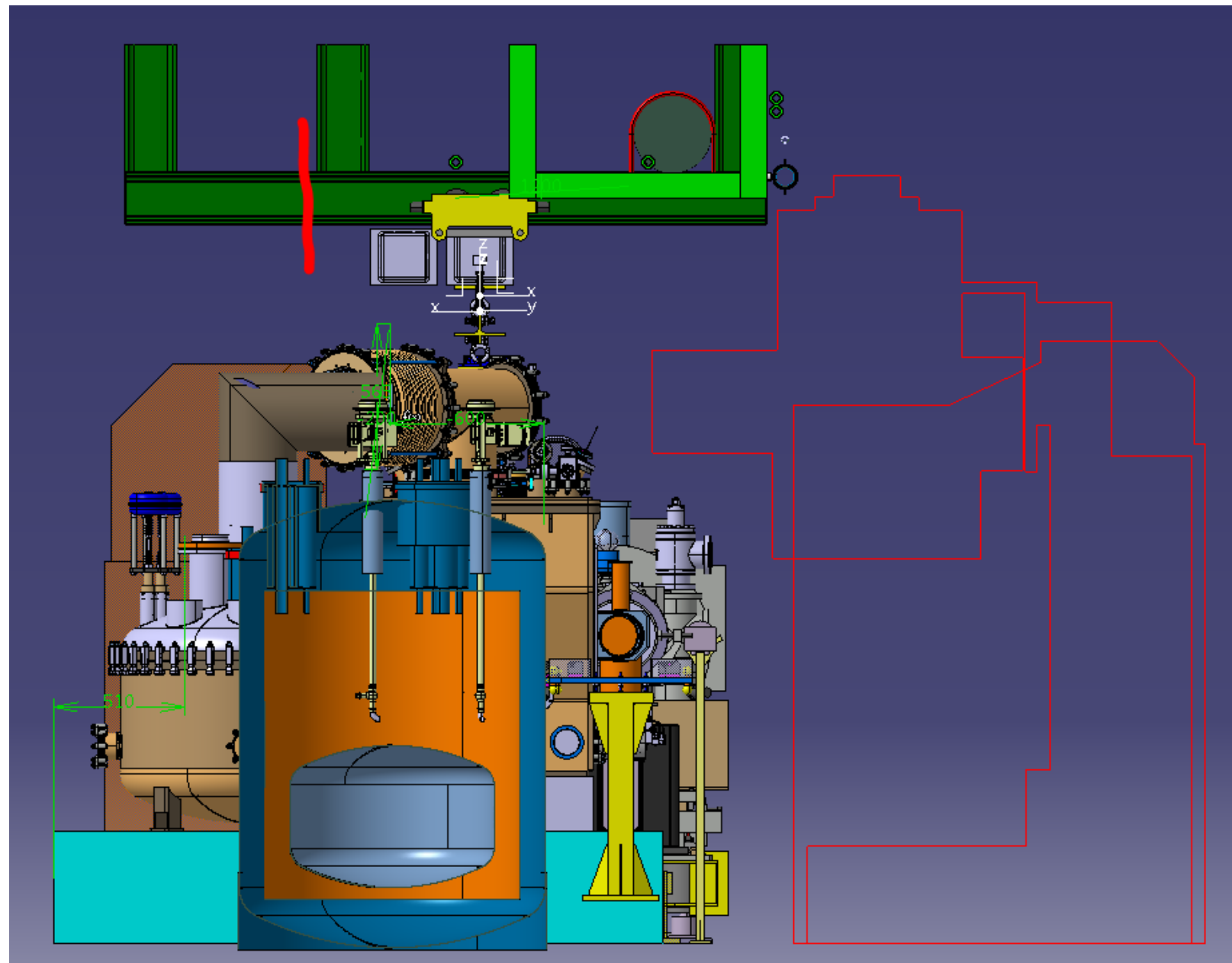


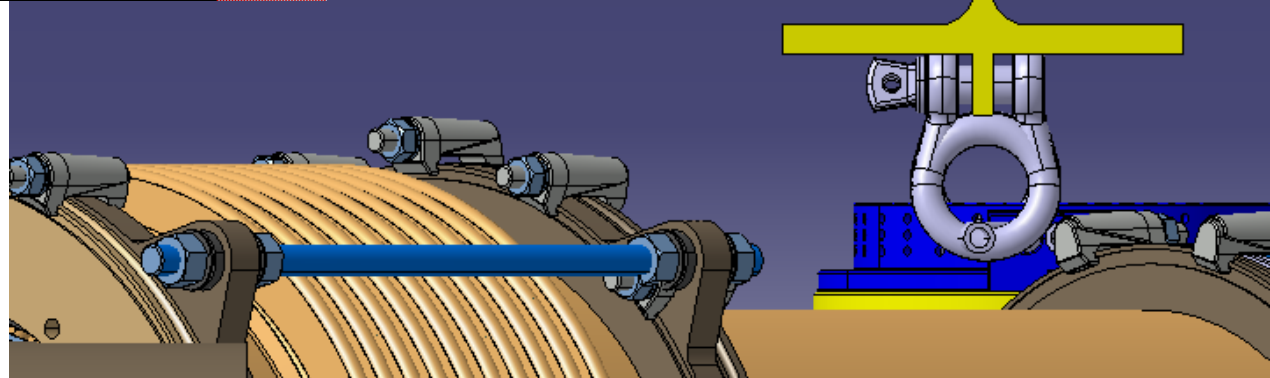
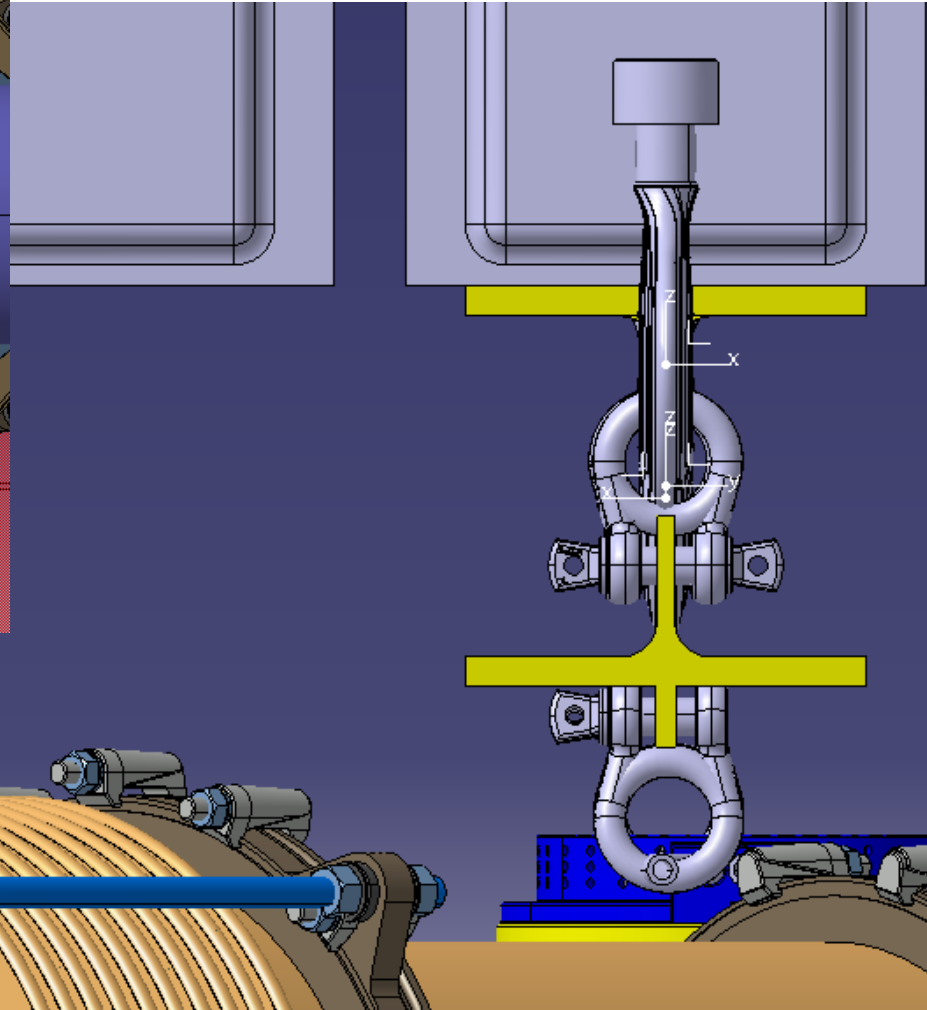
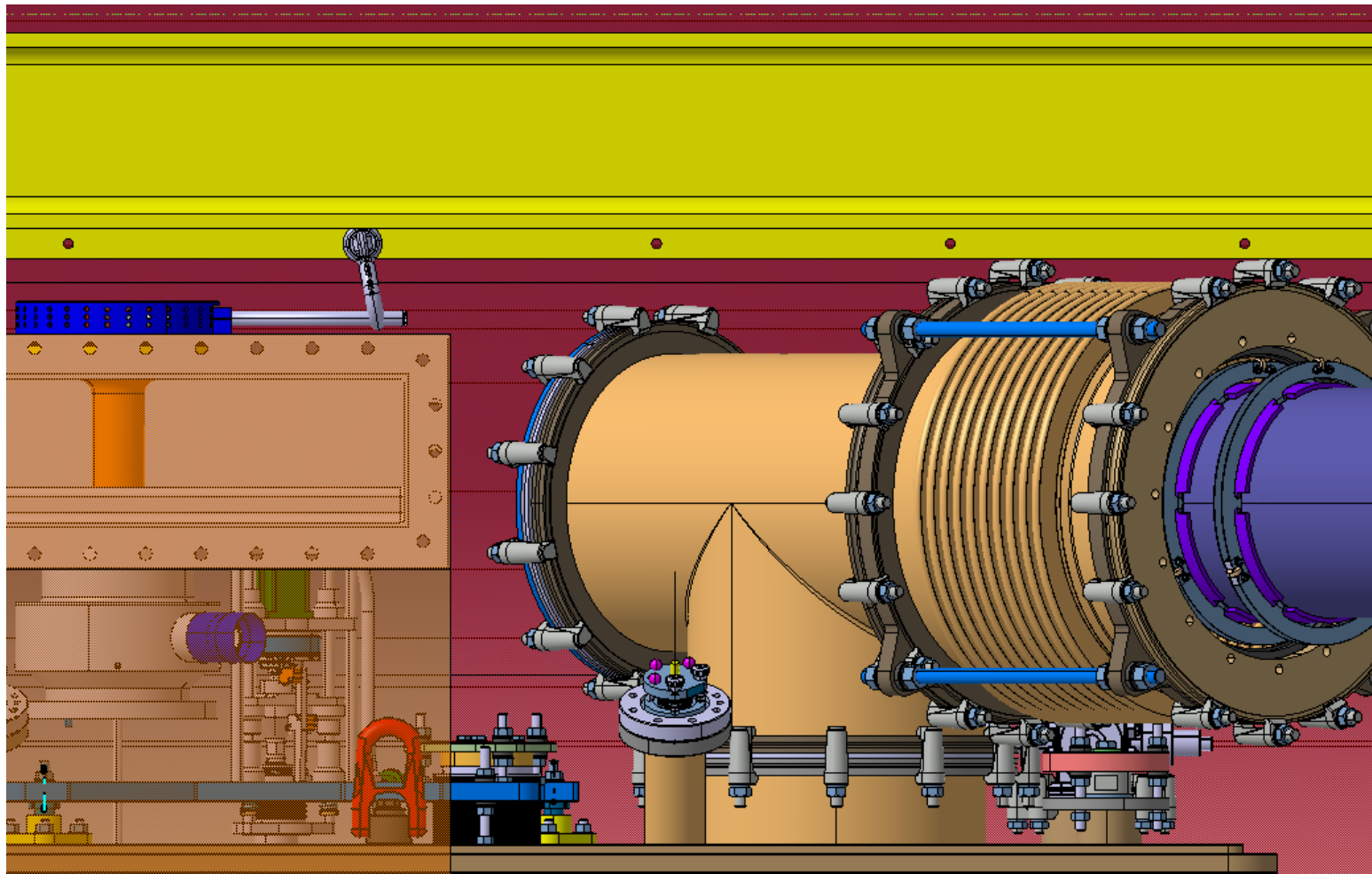
- lower the collar/ gain space?
- Is there any chance to prepare the TRANSPORT model in catia?

- Interference with cable trails (longer beam)



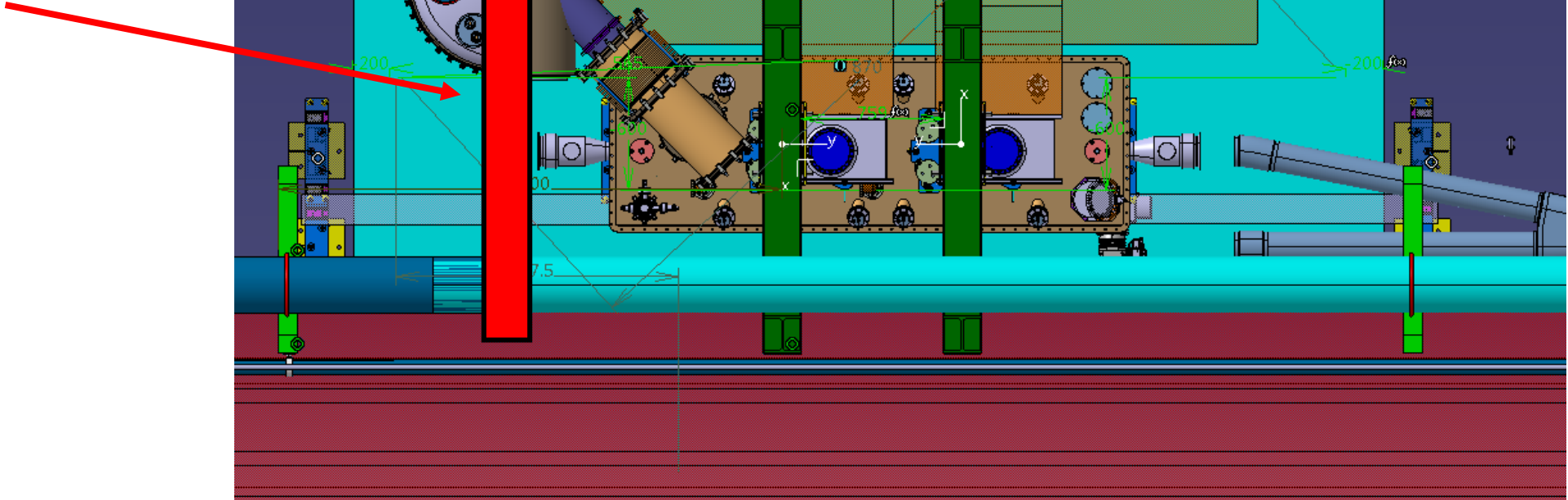
- move the cable trails?



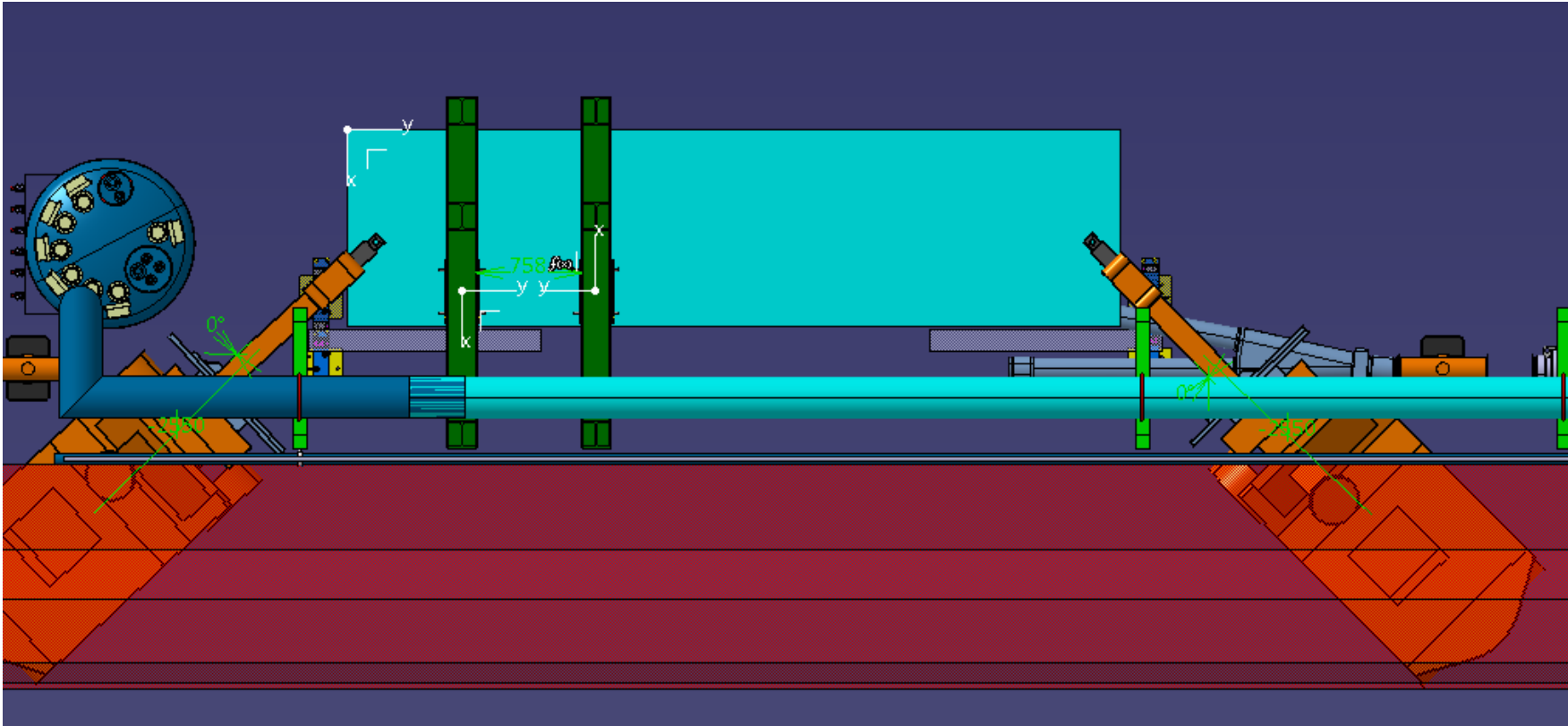


Different approach:

- Two beams directly above the picking points (no problem with interference)
- 3rd beam above the barrel (service)



Installation with the YALEs



Installation with the YALEs

