



43nd Bi-weekly meeting

F. Sanchez Galan, 20-09-2016

News

- Visit Staubli last Thursday, very compact connectors look promising.
- Mini-TAN @ P8. Solution found, no impact on BRAN, Y-chamber or collimators. Start design.

Next meetings & reviews

- CMAC CSR
- EFCA, Annual meeting
- HL-LHC, Collaboration meeting
- HL-LHC TCC (mini-TAN)

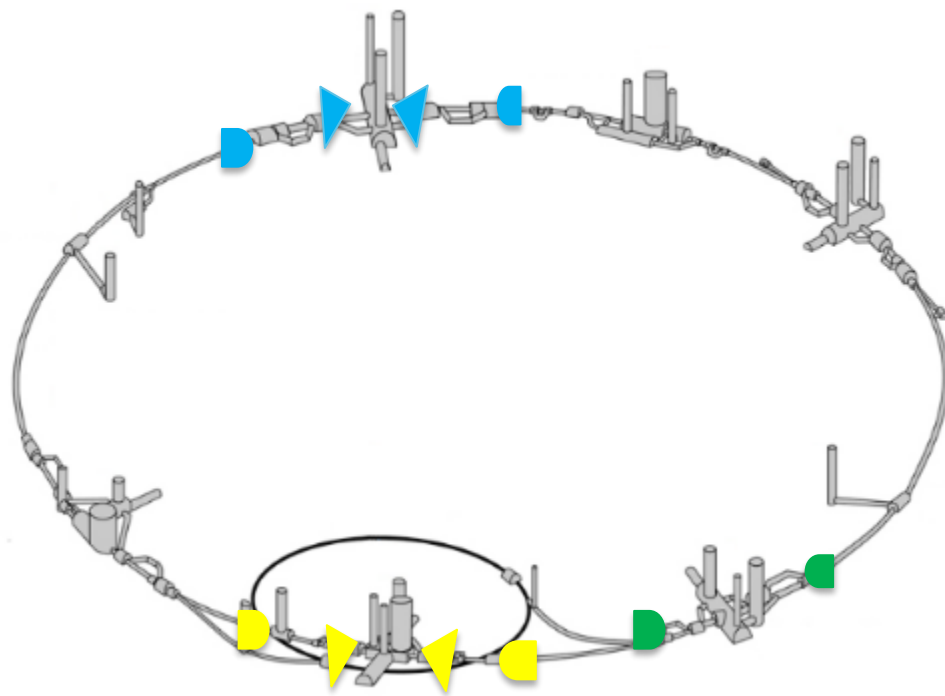
CMAC CSR

- the 2nd Cost & Schedule review of the HL-LHC and LIU projects will be held at CERN on **17-19 October 2016**.
 - A plenary session addressing the status of both projects and providing an overview of the HL-LHC technical infrastructure work-package and its challenges is organized on the 17/10 in the morning.
 - On the 17/10 afternoon and on the 18/10, the review is organized in parallel sessions as follows (HL-LHC sessions here mentioned):
 - Session 2: HL-LHC – Magnets, powering and cryogenic systems (Convener: J.-M. Jimenez)
 - Session 3: HL-LHC – Superconducting RF and other accelerator systems (Convener: P. Collier)
 - Session 4: HL-LHC – Technical Infrastructures, Integration and (de)installation (Convener: L. Taviani)
 - Session 5: HL-LHC/LIU – Cost, schedule and change management methods (Conveners: L. Rossi/M. Meddahi)
 - A preliminary version of the agenda of each session is available on Indico.

CMAC CSR

- The talks will include the following elements:
 - Impact of 1st Cost & Schedule review
 - Changes to the baseline since the 1st Cost and Schedule review
 - Status of work in progress
 - Budget related items (Material cost, Manpower, level of uncertainty)
 - Schedule related items (schedule, critical path)
 - Risks and mitigation measures

WP8 – Collider-Experiment Interface Installation Overview (oct 2016)



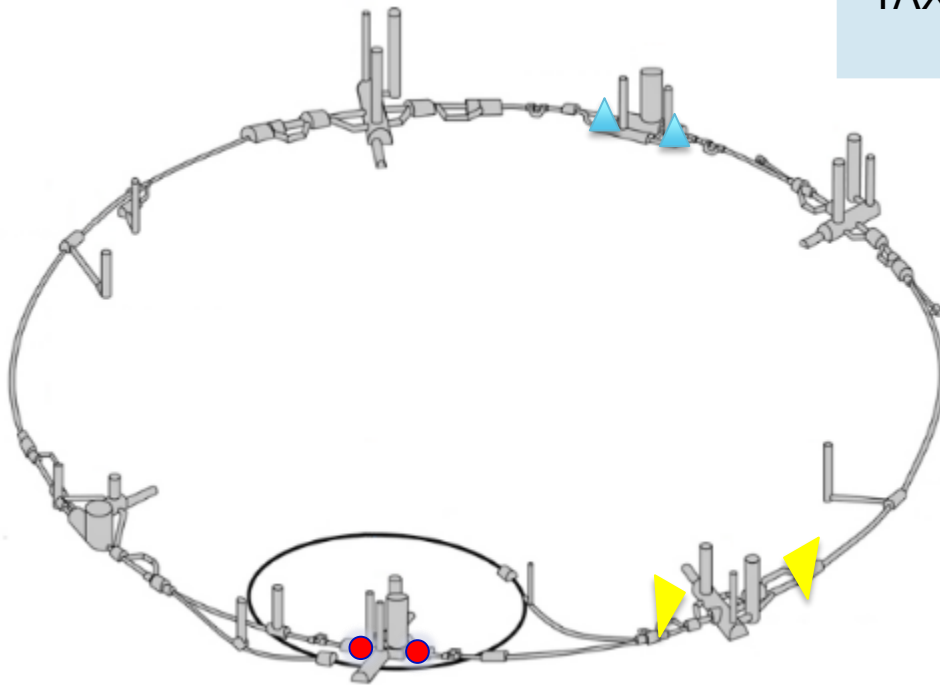
▲ ▲ TAXS

■ ■ ■ TAXN



Equipment	Quantity	Location
TAXN for LHCb	2 units (1 per IP side)	P8
TAXN for ATLAS	2 units (1 per IP side)	P1
TAXN for CMS	2 units (1 per IP side)	P5
TAXS for ATLAS	2 units (1 per IP side)	P1
TAXS for CMS	2 units (1 per IP side)	P5

WP8 – Collider-Experiment Interface Installation Overview for LS2

Equipment	Quantity	Location
TAXN for LHCb	2 units (1 per IP side)	P8

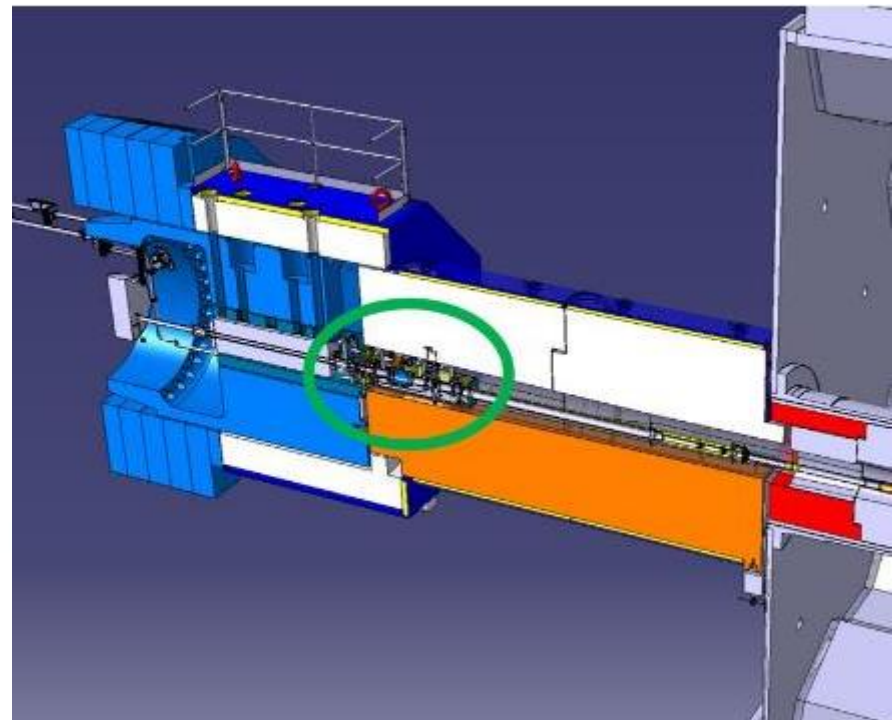
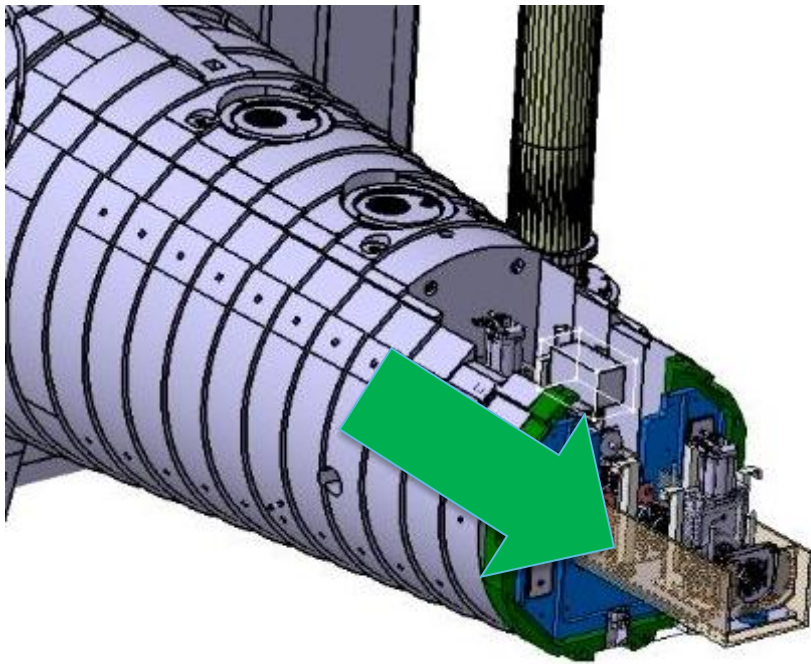


 TAXN

-  Shielding modifications (option)
-  New Vacuum pump support (option)

Summary table of LS2 activities (2/2)

Description	WP	Period	Location
NON-BASELINE (options)			
CMS New support for vacuum pump at FIN	8	LS2	P5
ATLAS JFC3, JFC3 Shielding modification	8	LS2	P1



Risks and mitigation

Equipment / Systems	Risks	Risk level class	Mitigation

News

HL-LHC Collaboration Meeting day 3. “Final solution for VAX integration”.


<https://indico.cern.ch/event/549979/timetable/#20161116.detailed>



- BPM
- Vacuum layout
- Connectors, survey & alignment
- Cabling
- Survey
- Motorization
- IP far side: JTT, New pump
- Q1-TAXS

News

Next steps

- Finalise integration replaced VAX
- Prototype (CMS chassis design).  Test alignment capabilities, remote operation.
- Define operations that could be advanced to LS2



Internal review together with experiments in 2017

<https://indico.cern.ch/event/549979>

WP8 – Collider-Experiment Interface Schedule

