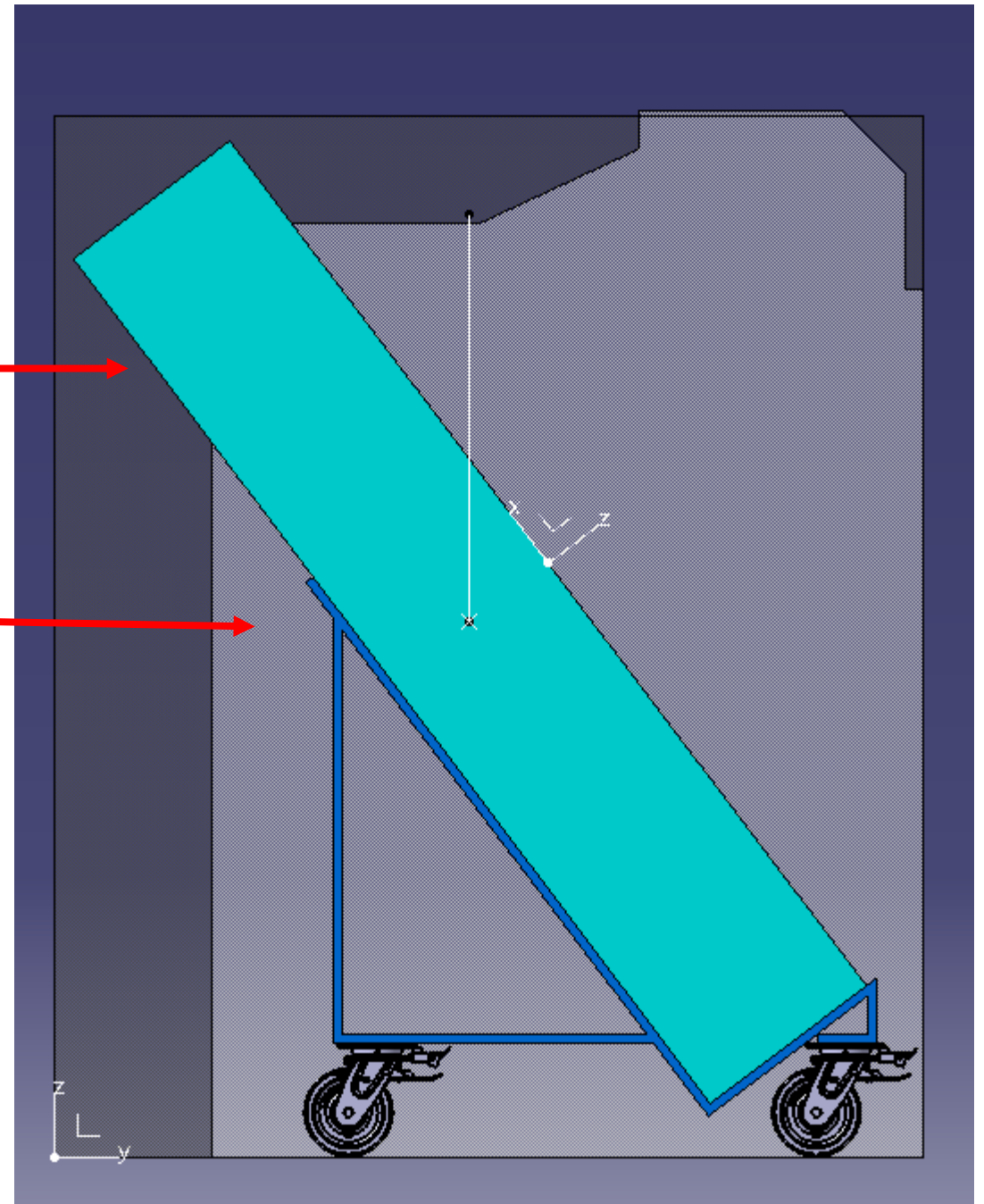


- Lift/SPS transport volume integration  
(Table Top – weight ~7t)

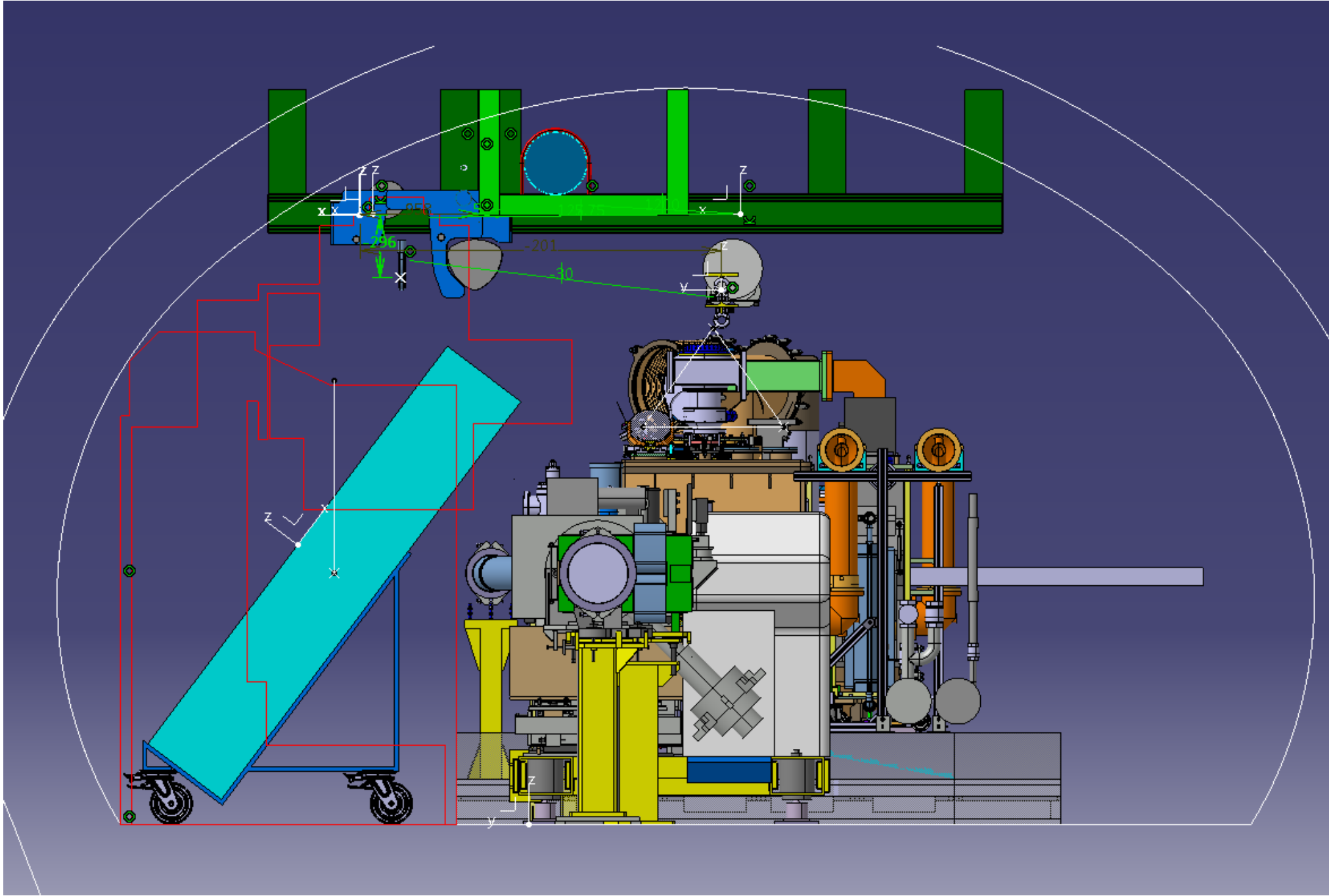
Lift W1950x H2340x L6900

SPS Transport Volume  
W1600x H2100/2350

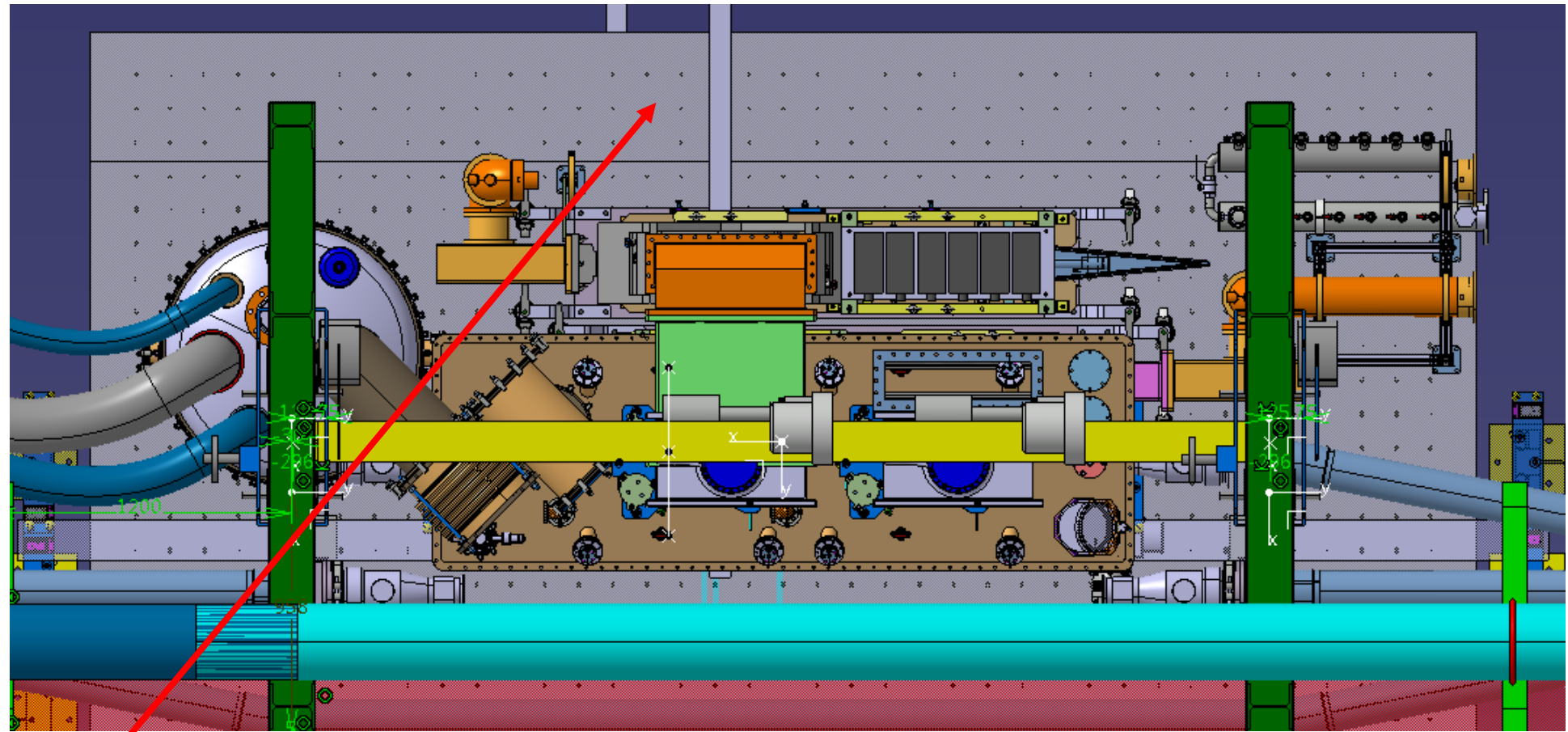


Transfer Table  
integrated inside the  
SPS tunnel with rails  
(MAX LOAD 2x4t)

Q: The way of installing  
the transfer table (Table  
Top) on the support?  
Q: How much different  
the design of the Table  
Top can be?

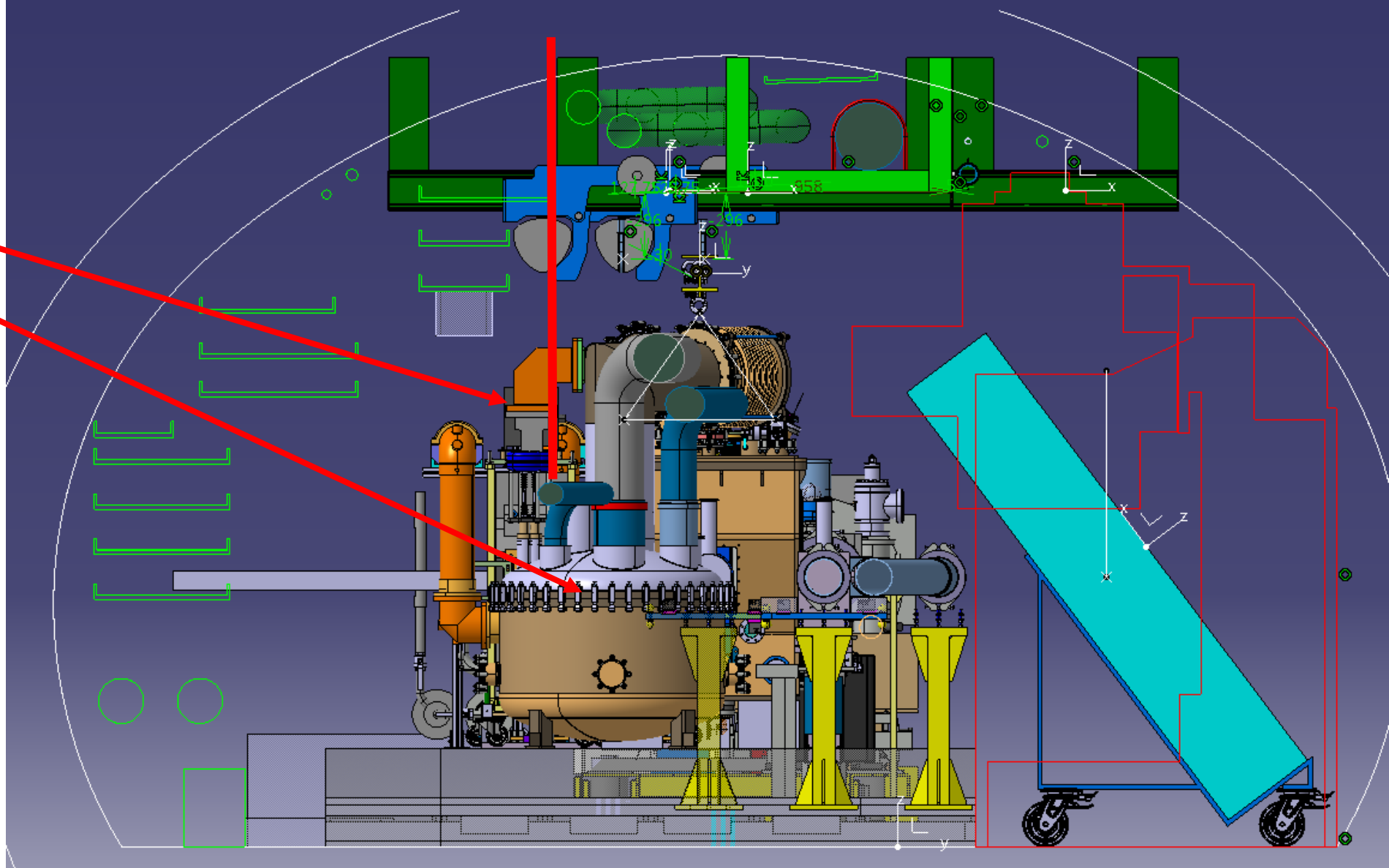


## Top view of the integrated rails



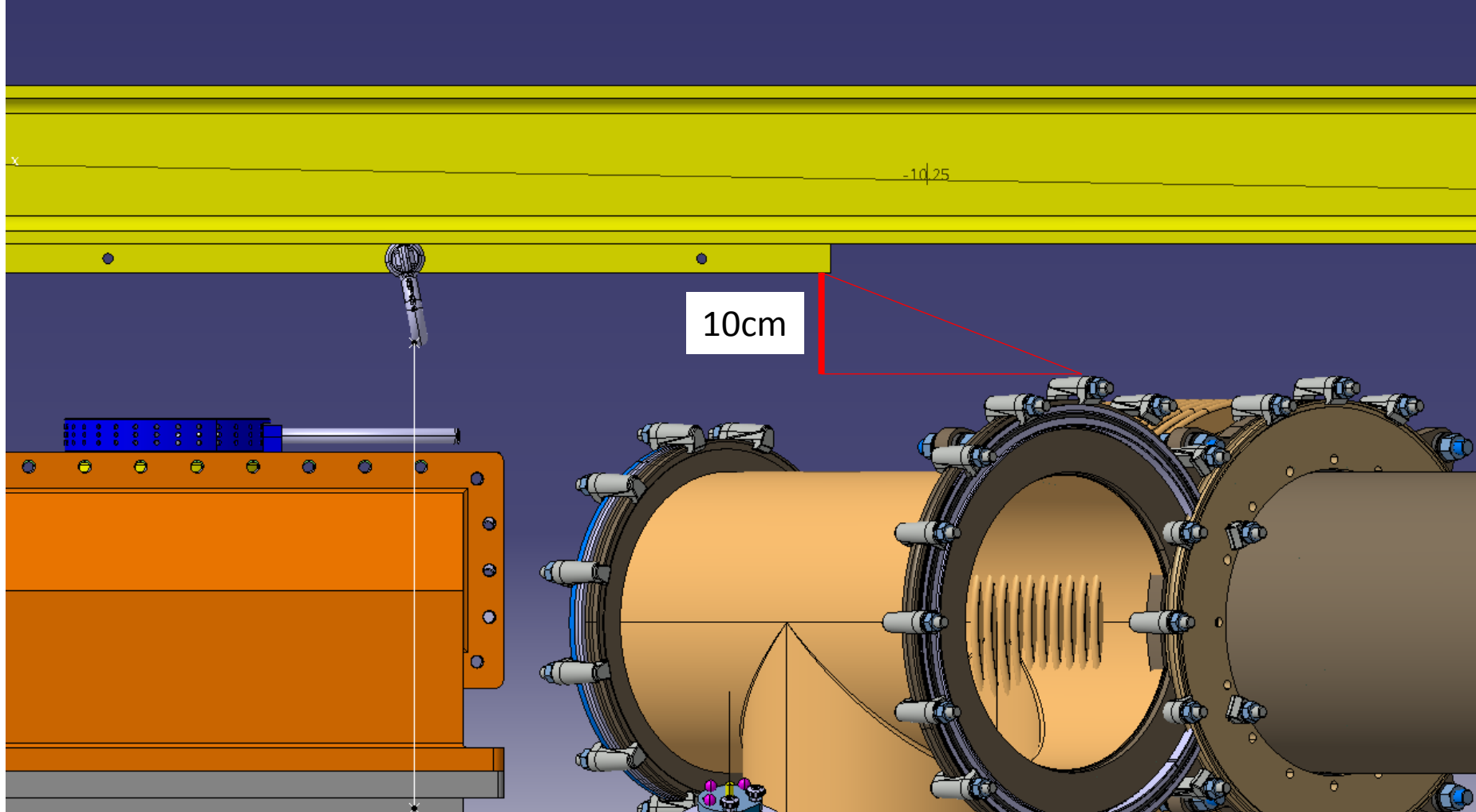
- Is it possible to integrate into the design the equipment behind the cryomodule?
- Can it be placed anywhere on the table and pushed onto the designated place?

- Interference with cable trails  
**!!! ONLY** when installing all the equipment behind the cryomodule directly above the final positions.





- **Multi Point Spreader MAX load – 4T**
- ~10cm of clearance in between the highest point of the cryomodule (jumper) and the spreader beam
- Other optimization options if still needed



- **Multi Point Spreader MAX load – 4T**
- ~10cm of clearance in between the highest point of the cryomodule (jumper) and the spreader beam
- Other optimization options if still needed