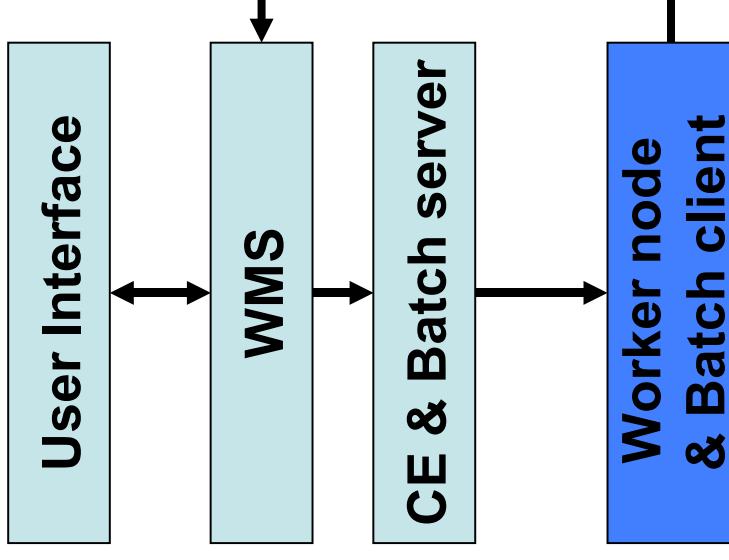


Dynamic Partitioned Cluster

Realization of the virtualization system:

- Wrapper script (Prologue/Epilogue) around the actual computing job inside the batch system
 - Virtual machines are deployed e.g. on the hardware node discs
 - Wrapper script starts VM and checks status of the VM
 - Starts computing job inside VM
 - Destroys or halts VM after the job has finished



Dynamic Partitioned Cluster

Realization of the virtualization system:

- Wrapper script (Prologue/Epilogue) around the actual computing job inside the batch system
 - Virtual machines are deployed e.g. on the hardware node discs
 - Wrapper script starts VM and checks status of the VM
 - Starts computing job inside VM
 - Destroys or halts VM after the job has finished

