

EDGeS

Introduction to EDGeS

Peter Kacsuk
kacsuk@sztaki.hu
MTA SZTAKI



The EDGeS project receives Community research funding





What is EDGeS?

EDGeS: Enabling Desktop Grids for e-Science

1. EDGeS is a 2-year FP7 project started on the 1st of January 2008
 - Research on integrating (bridging) SGs and DGs
 - Creates infrastructure
 - Provides services
2. EDGeS is an infrastructure
 - EDGeS VO interconnected with various DGs
 - Application repository
3. EDGeS is a service for
 - Application porting and validation



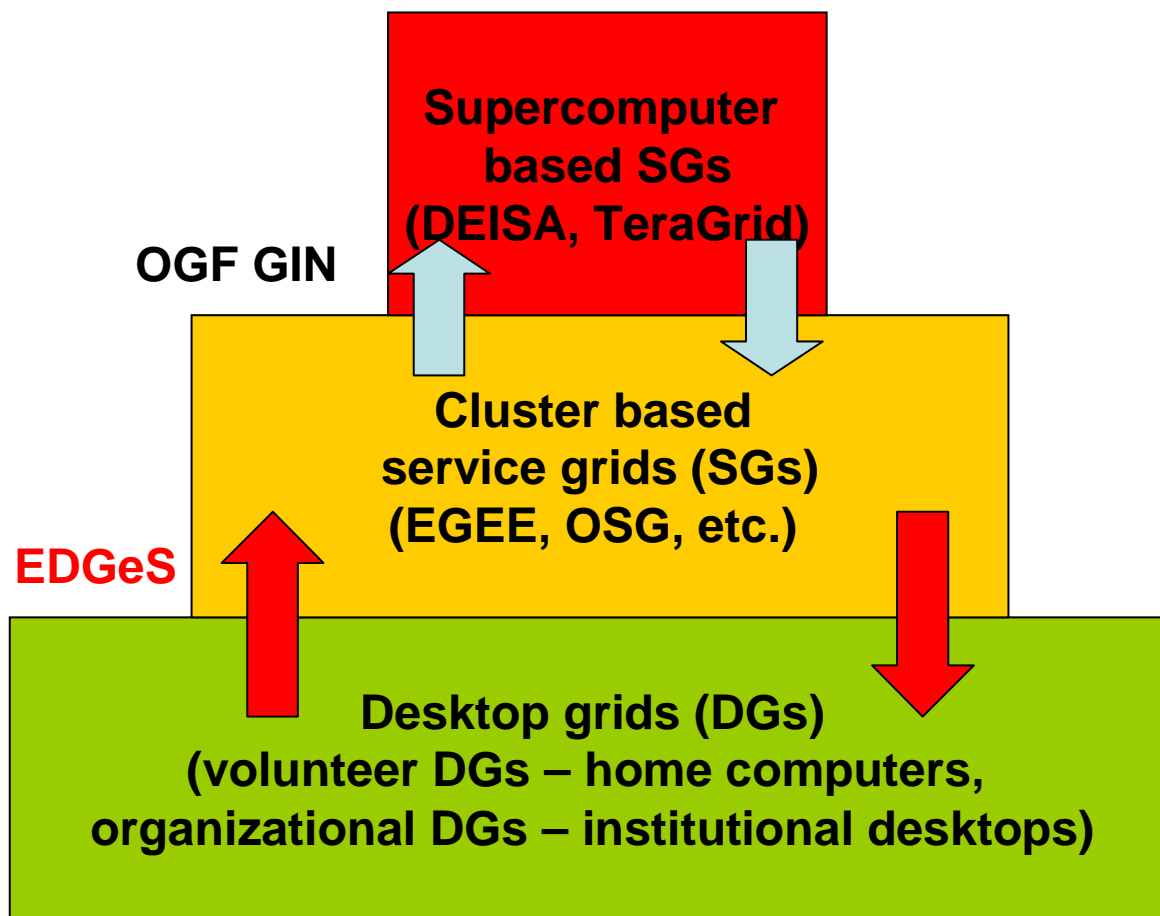
Project partners

Partic. No.	Participant name	Participant short name	Country
1	Computer and Automation Research Institute of the Hungarian Academy of Sciences	MTA SZTAKI	Hungary
2	Centro de Investigaciones Energéticas Medio Ambientales y Tecnológicas	CIEMAT	Spain
3	Foundation for the Development of Science and Technology in Extremadura	Fundecyt	Spain
4	The French National Institute for Research in Computer Science and Control	INRIA	France
5	University of Westminster	UoW	UK
6	Cardiff University	CU	UK
7	Faculty of Sciences and Technology of the University of Coimbra	FCTUC	Portugal
8	Stichting AlmereGrid	AlmereGrid	The Netherlands
9	Centre National de la Recherche Scientifique - Institut National de Physique Nucleaire et de Physique des Hautes Energies	IN2P3	France



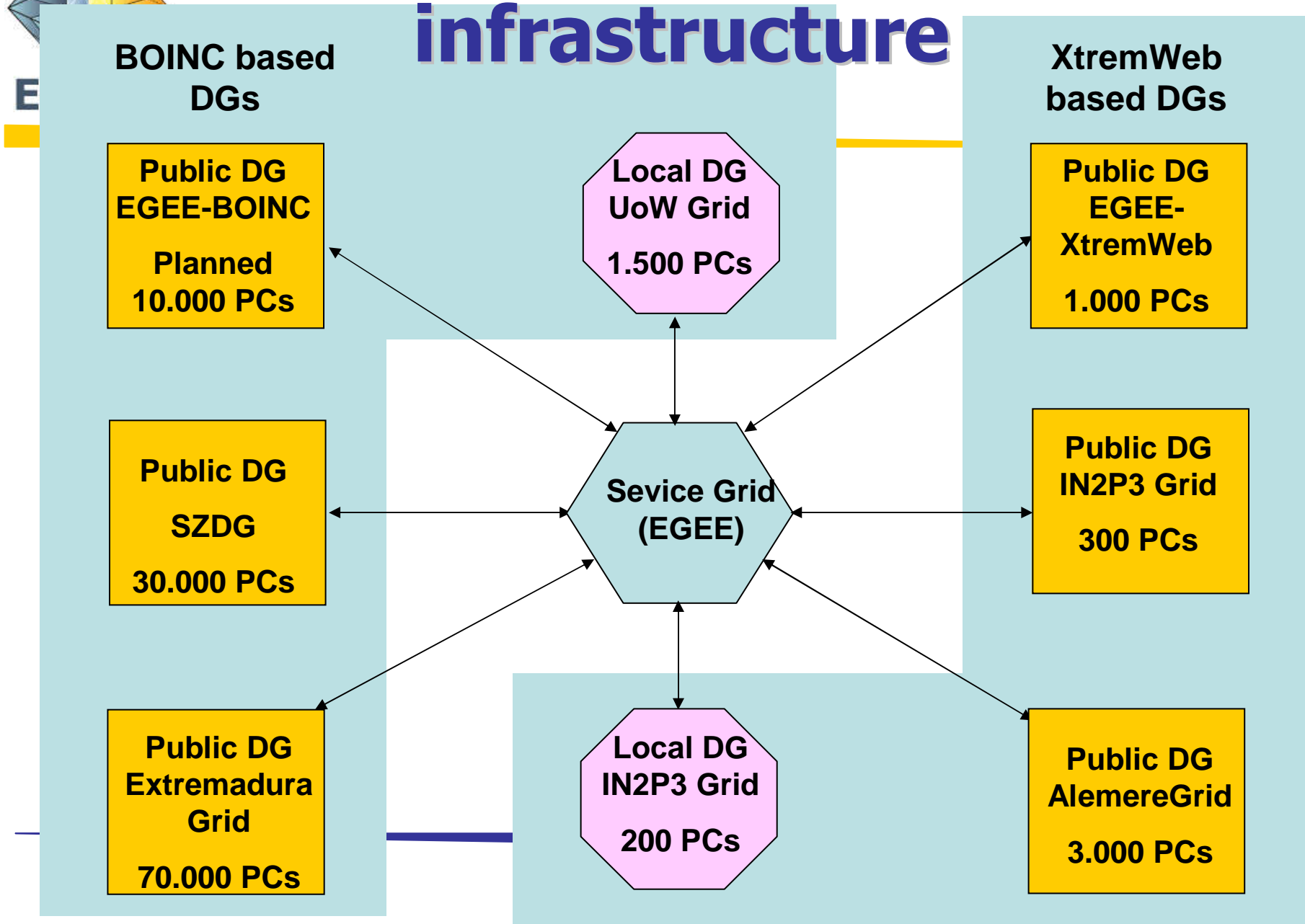


The problem we address



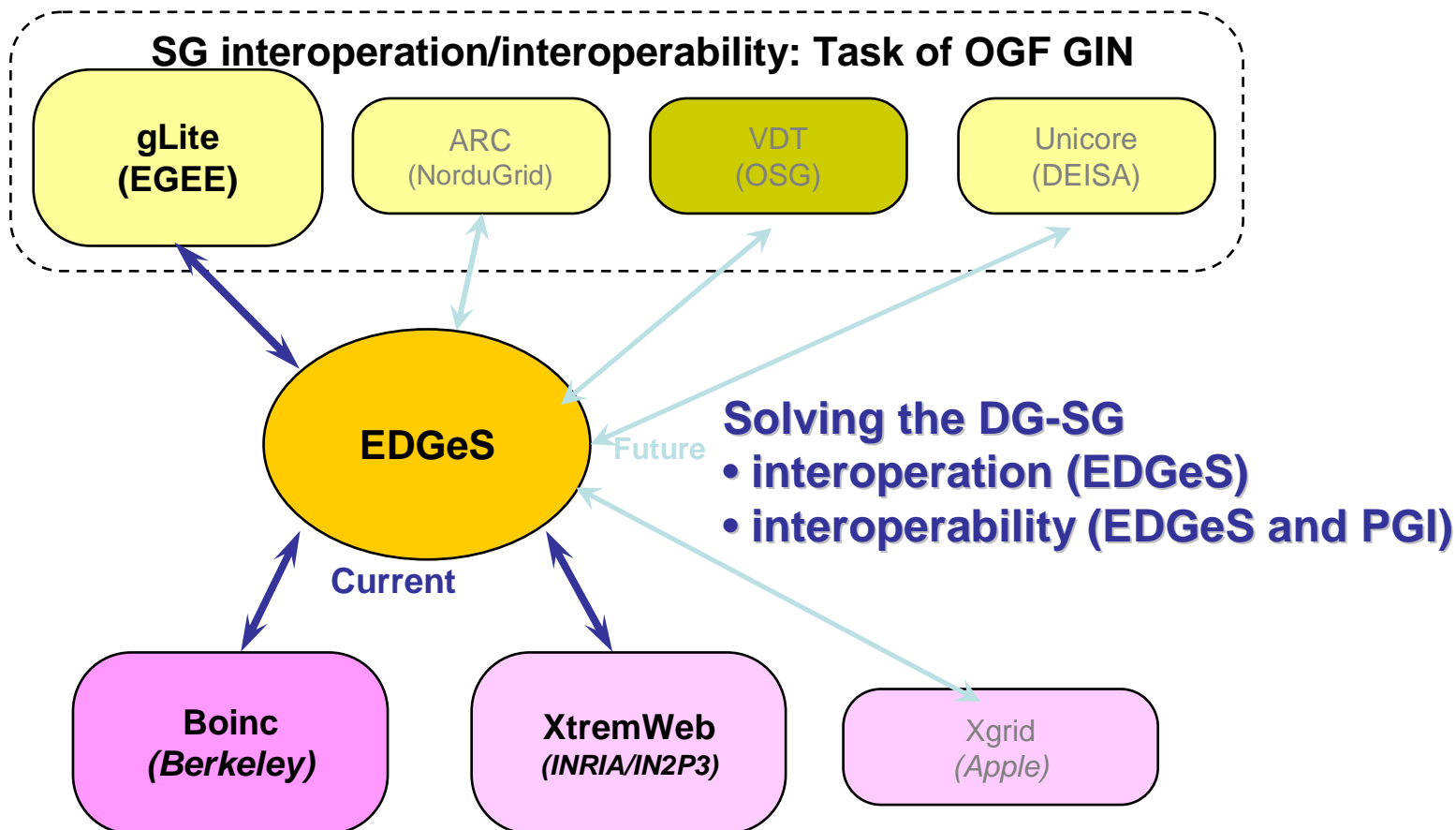
- Very expensive,
- small number of sites and large number of CPUs
- MPI apps
- Moderately expensive,
- moderate number of sites and CPUs
- any apps
- Inexpensive,
- very large number of CPUs (~100K – 1M)
- Bag of task apps

The planned EDGeS production infrastructure



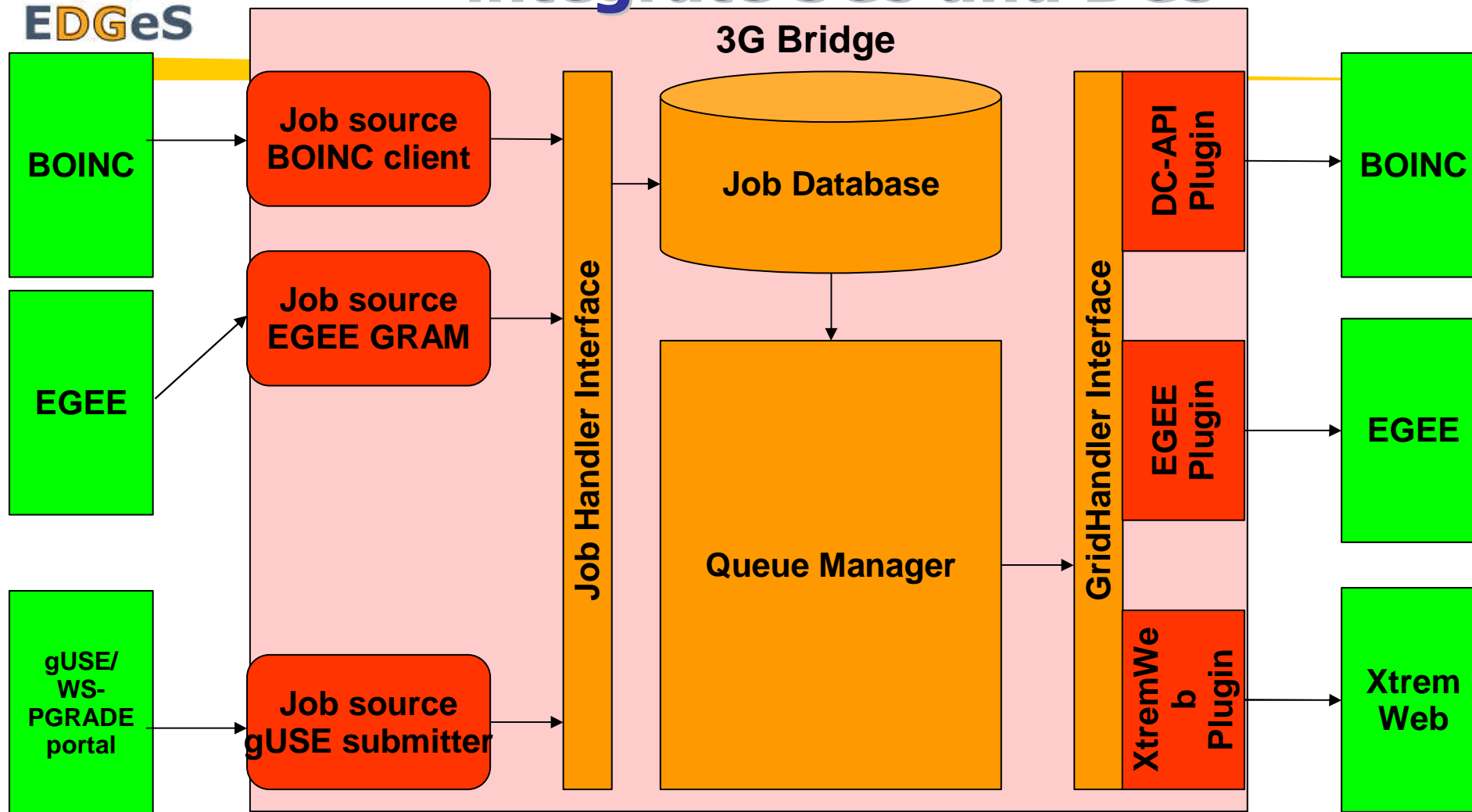


Integration of SG and DG systems





Generic Grid-Grid (3G) Bridge to integrate SGs and DGs





Security issues

- EGEE->DG direction
 - In DG projects
 - Applications are trusted
 - DG server is trusted
 - Clients are not trusted
 - Therefore any EGEE application that is intended to run in a DG should be **validated** to make it trusted
 - Therefore EDGeS provides:
 - Application validation service
 - **Application repository** (AR) where trusted applications are stored
 - EDGeS bridge transfers only those applications to DGs that are stored in the AR

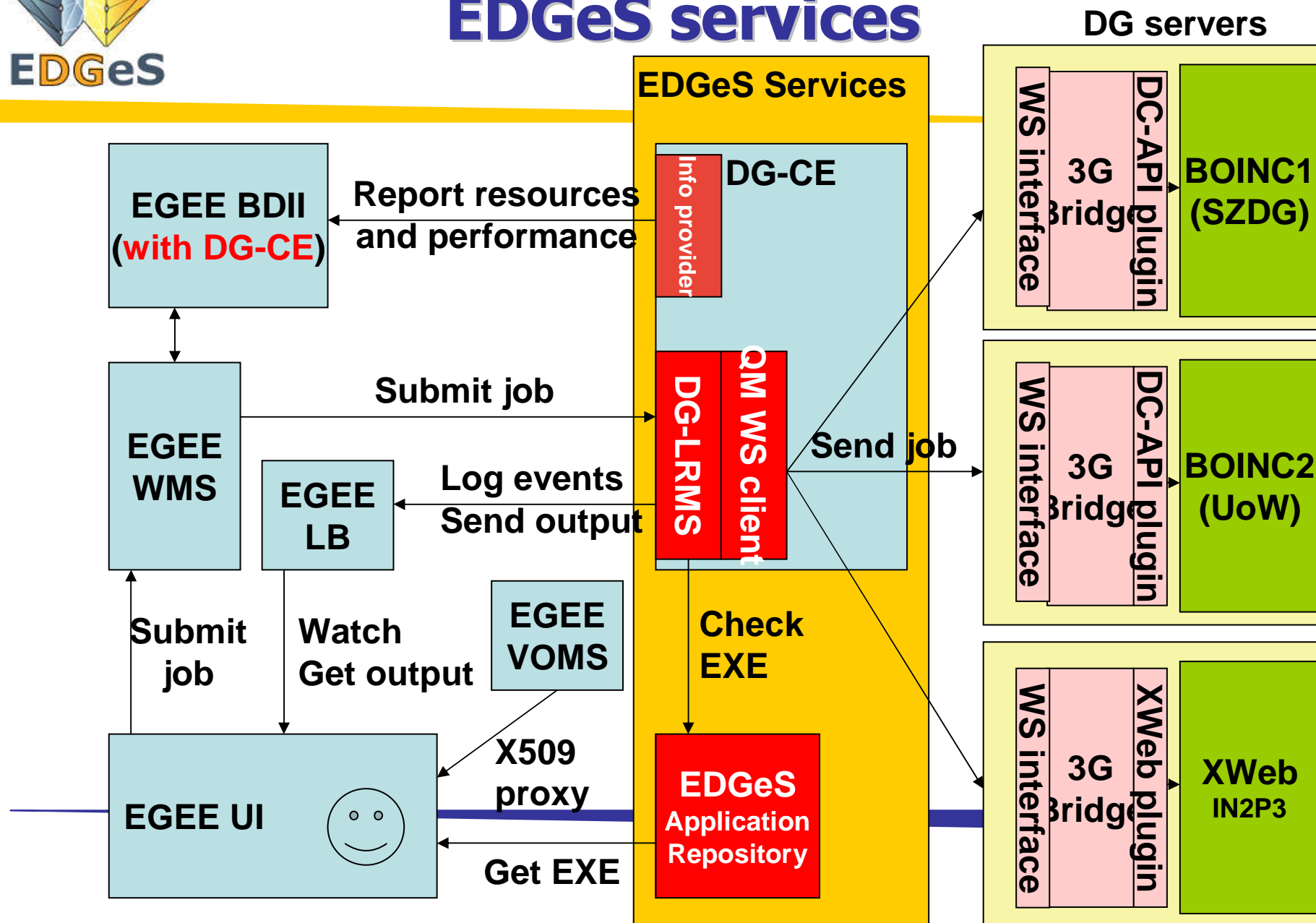


Security issues

- DG->EGEE direction
 - EGEE requires user certificates and VO acceptance to run jobs
 - DGs submit their applications to the EDGeS VO with the DG system administrator's certificate proxy
 - DG sys admins should register in the EDGeS VOMS

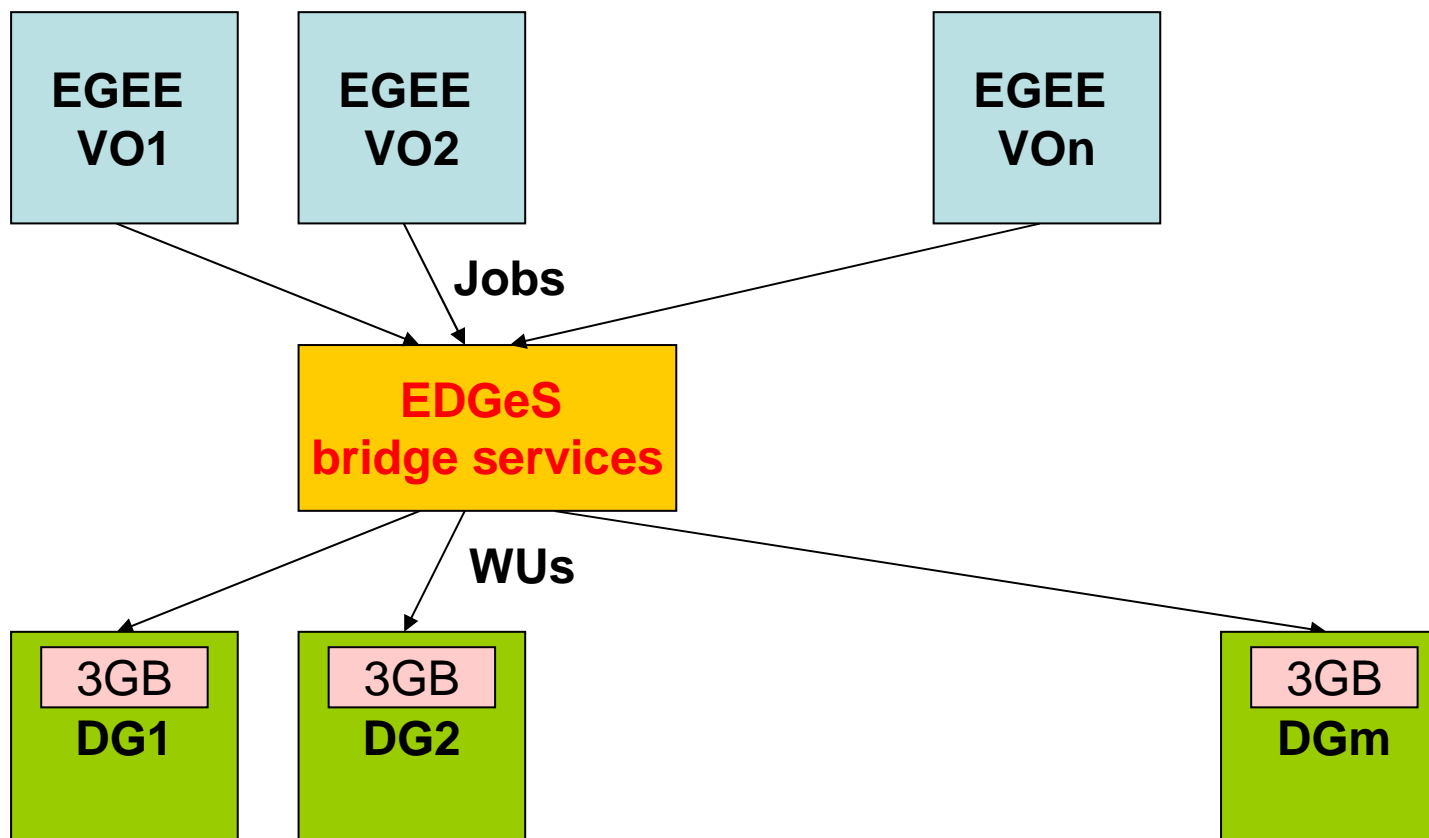


EGEE VO → DG system via EDGeS services





The EGEE-EDGeS-DG infrastructure: EGEE->DG direction



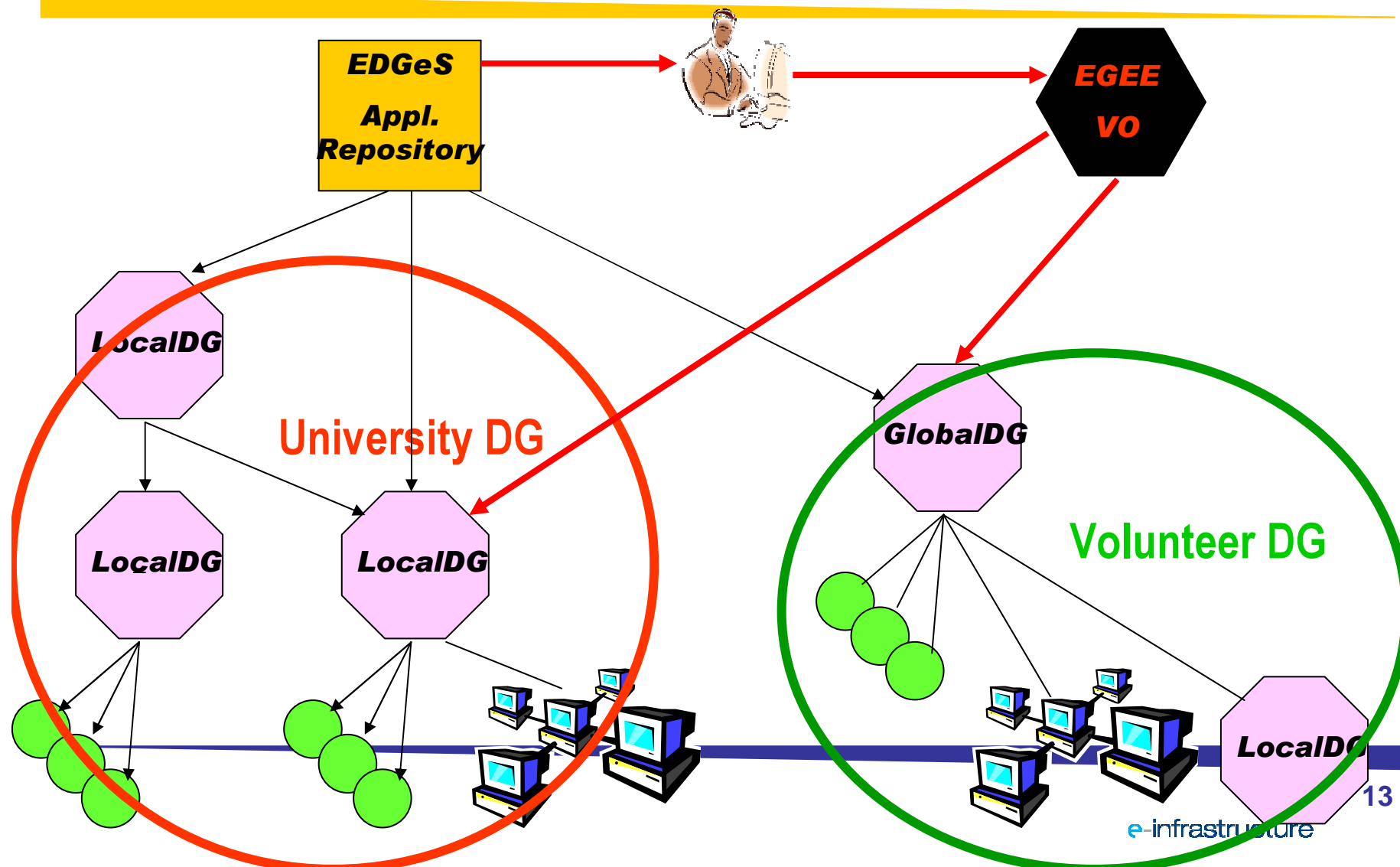


EDGeS usage scenarios for EGEE VOs

1. Use the EDGeS bridge services to send jobs to the DGs connected to EDGeS
2. Extend the EGEE VO with local DGs using the EDGeS technology

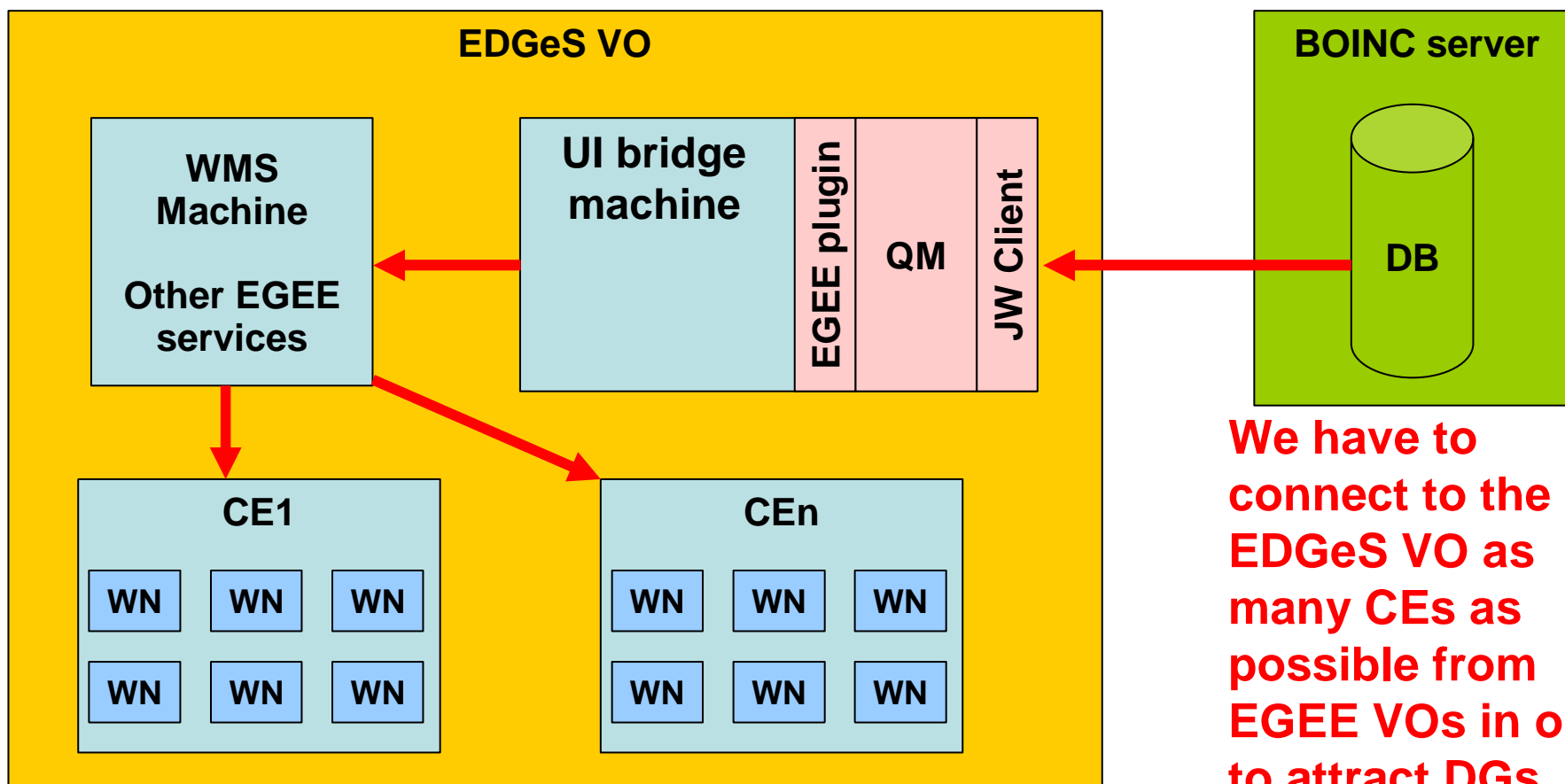


EGEE User access to EDGeS





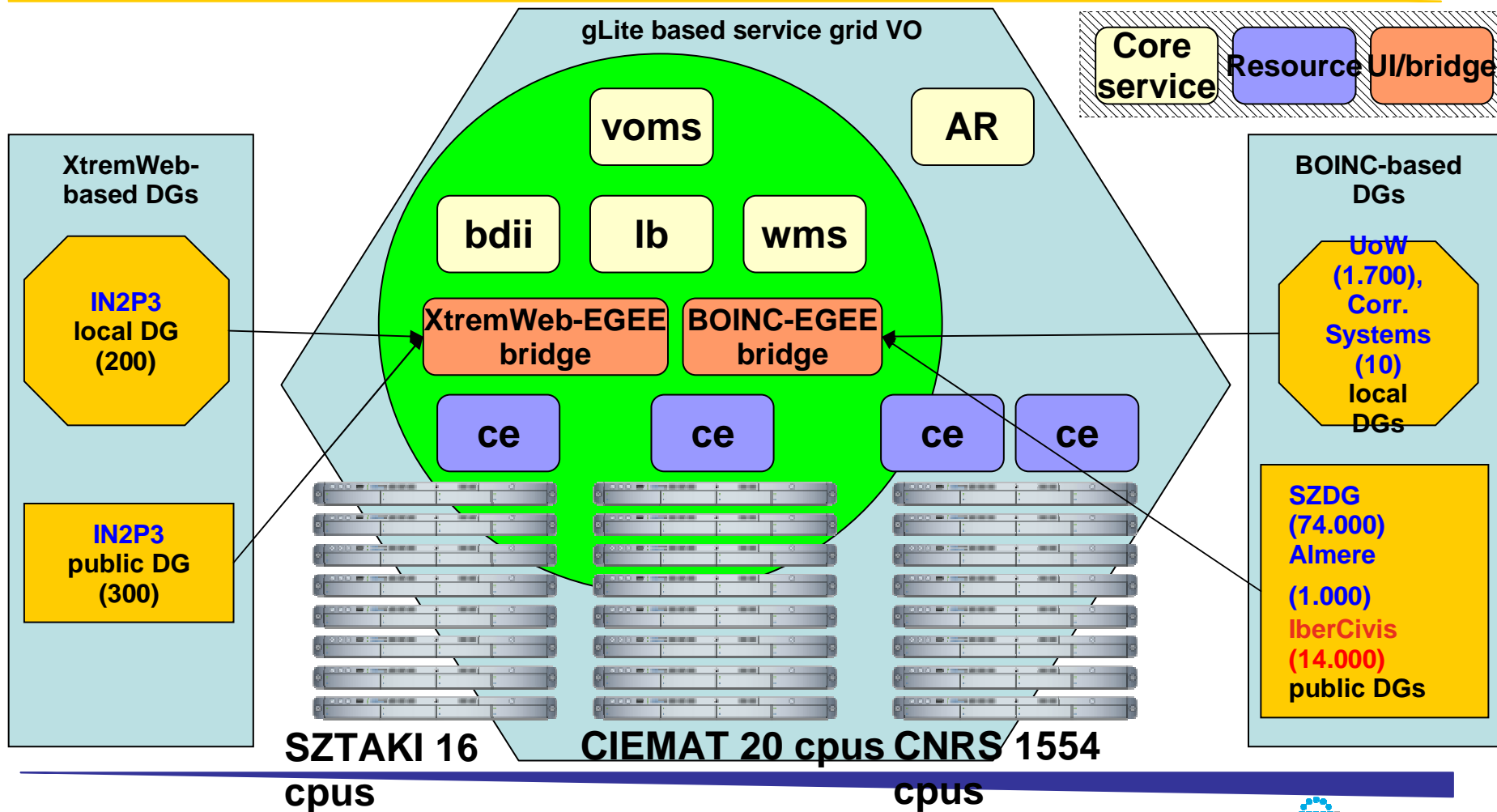
BOINC->EGEE direction: Structure of the EDGeS VO



We have to connect to the EDGeS VO as many CEs as possible from EGEE VOs in order to attract DGs



Production DG-EGEE Infrastructure





Work Units bridged to EGEE from different DGs

Detailed User statistics - Boinc all project statistics - Distributed computing statistics

http://www.allprojectstats.com/showuser.php?searchstr=EDGeS+User

ALL PROJECT STATS.COM

Sponsored links from google AdSense

[Boinc statistics / Home](#) [Forum](#) [Signature](#) [Settings](#) [Team](#) [Hall of fame](#) [Info](#)

Search for user: EDGeS User [Search]

Search for team: [Search]

-BOINC- [Detailed host statistics] [Show]

Search results for user EDGeS User

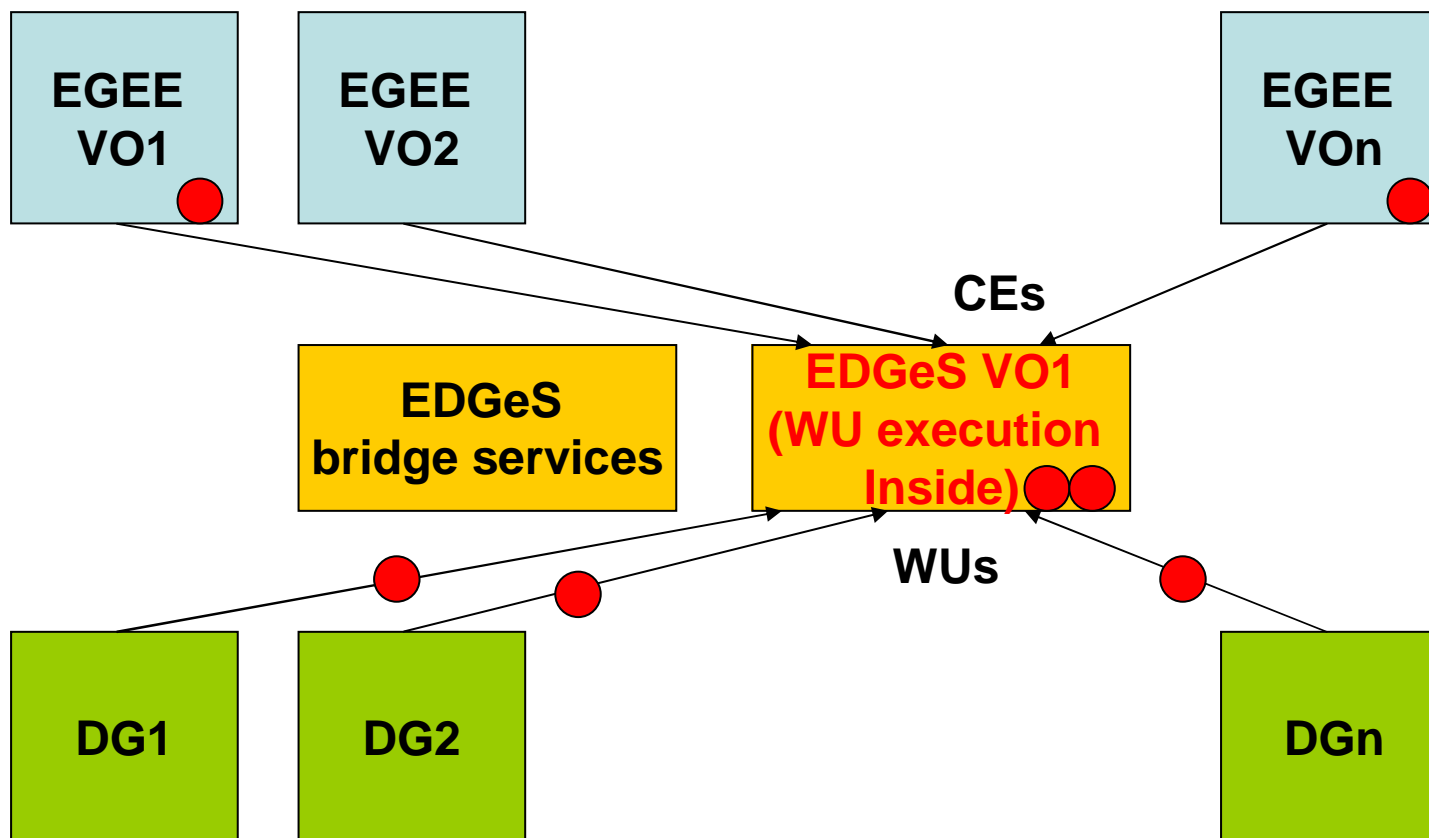
Rank	Name	Total credit	Member of team
39,714	EDGeS User	369,582	SZDG
518,658	EDGeS User	11,238	SETI@home
873,263	EDGeS User	2,519	Quantum Monte Carlo at Home
1,596,434	EDGeS User	11	IBERCIVIS
1,599,751	EDGeS User	8	Virtual Prairie

[ecasound2.2 - Sourcecode](#)

Done

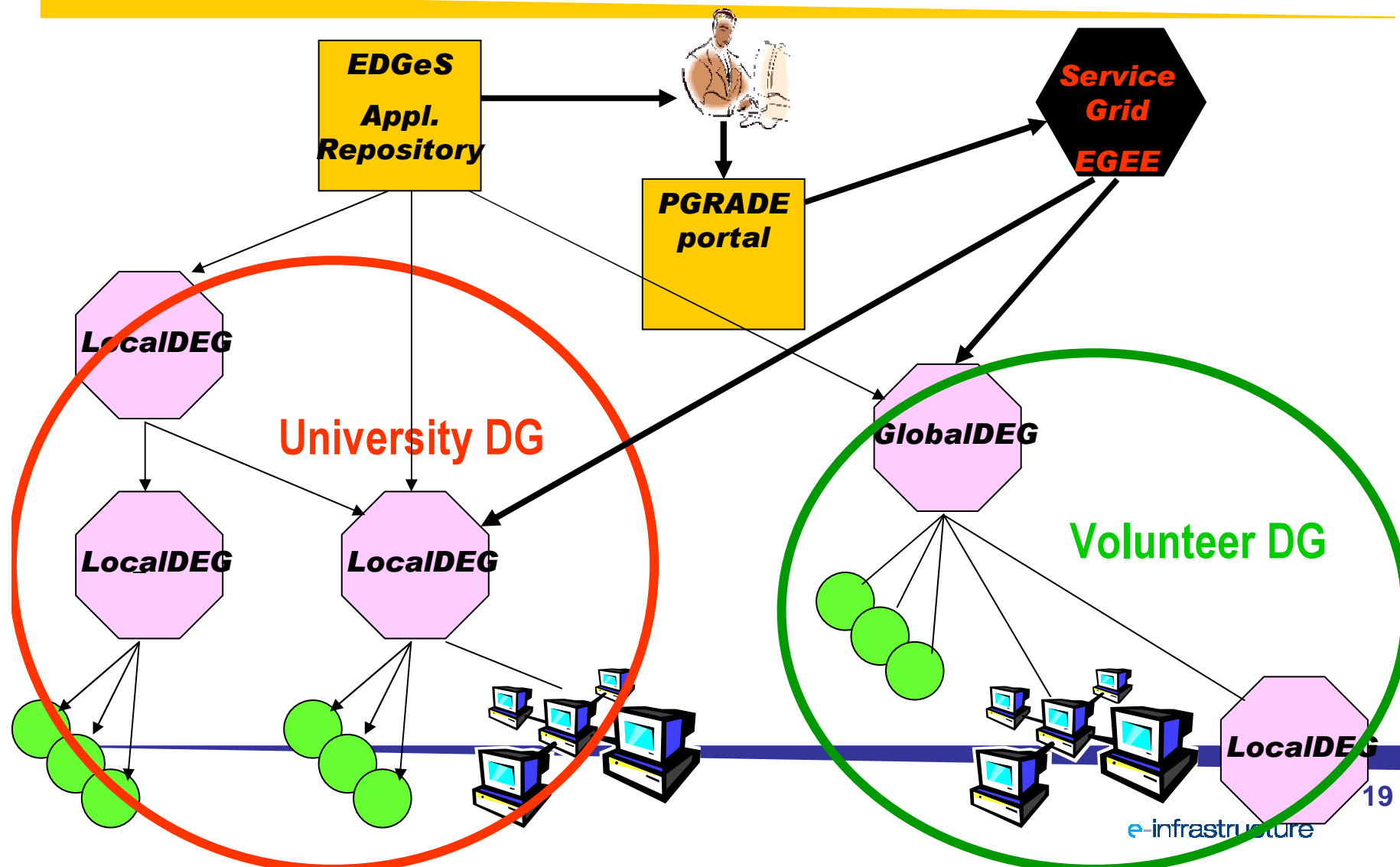


The EGEE-EDGeS-DG infrastructure: DG->EGEE direction



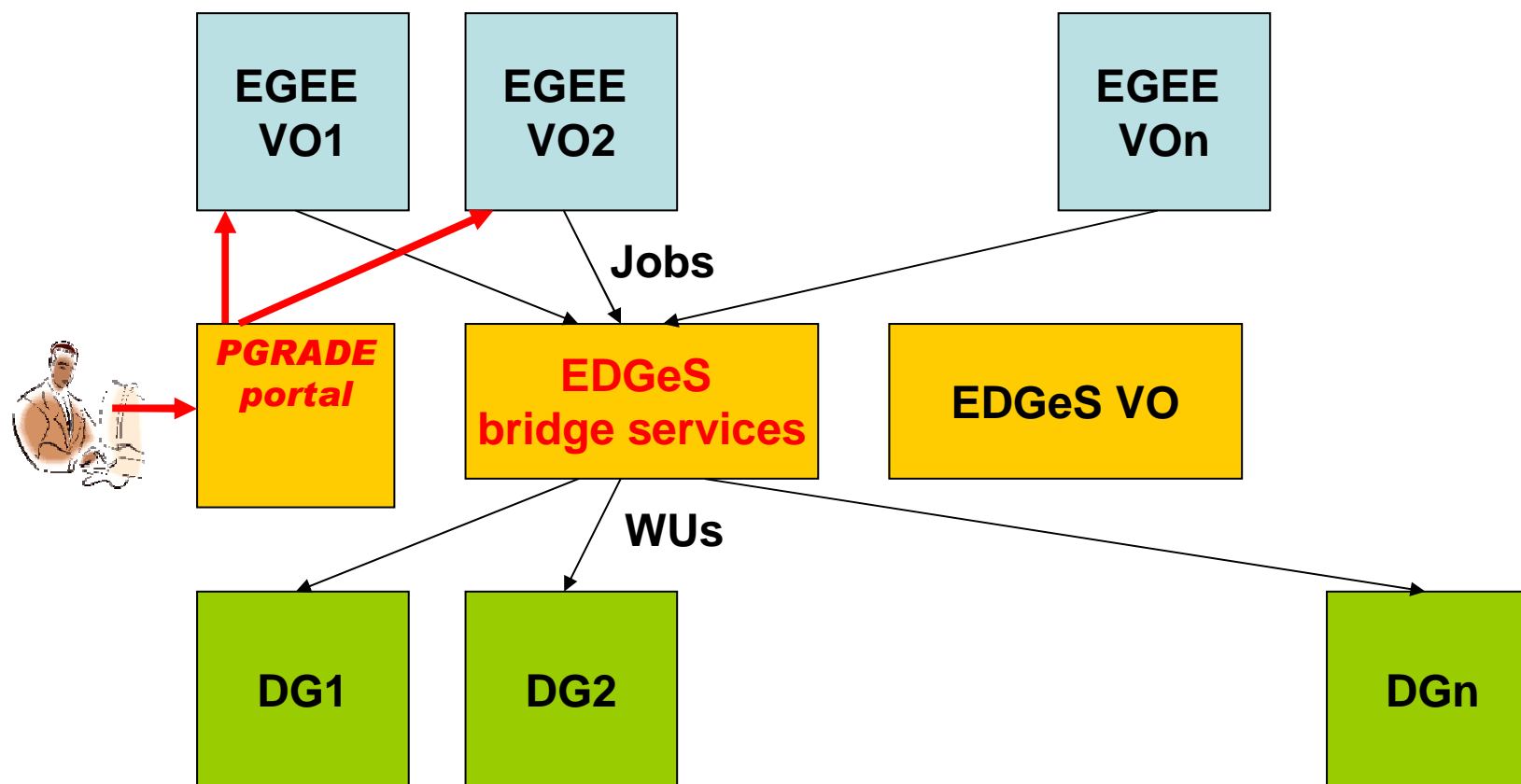


EGEE user access to EDGeS via portal





EGEE user access to EDGeS via portal





NA1: MoUs with other projects

- ▶ **Signed MoU with EGEE III**
 - ▶ Jointly select EGEE applications that should be migrated to EDGeS
 - ▶ Collaboration in porting these apps to EDGeS
 - ▶ EGEE support for the establishment and operation of the EDGeS VO
 - ▶ Organizing joint events (summer school, user forum meetings)
- ▶ **Signed MoUs with**
 - ▶ EELA-2
 - ▶ SEE-GRID-SCI
 - ▶ Russian Academy
 - ▶ ETICS-2
- ▶ **Prepared MoU with**
 - ▶ IberCivis DG





Summary

- EDGeS connects
 - BOINC or XtremWeb DGs
 - and gLite based SGs
- **EDGeS is an open infrastructure:**
 - Any BOINC or XtremWeb DG can join
 - Any gLite based SG can join
- **Any EGEE user can access EDGeS**
- Any EGEE VO can be extended with DGs based on EDGeS bridge technology
- EDGeS helps any EGEE user community in porting their applications into EDGeS



Thank you for your attention ...

Any
questions?



For more information please visit the EDGeS Website:

Join the EDGeS User & Industry Forum here!

<http://www.edges-grid.eu/>

Please contact us if you need support in porting your application to EDGeS!

Email: kacsuk@sztaki.hu