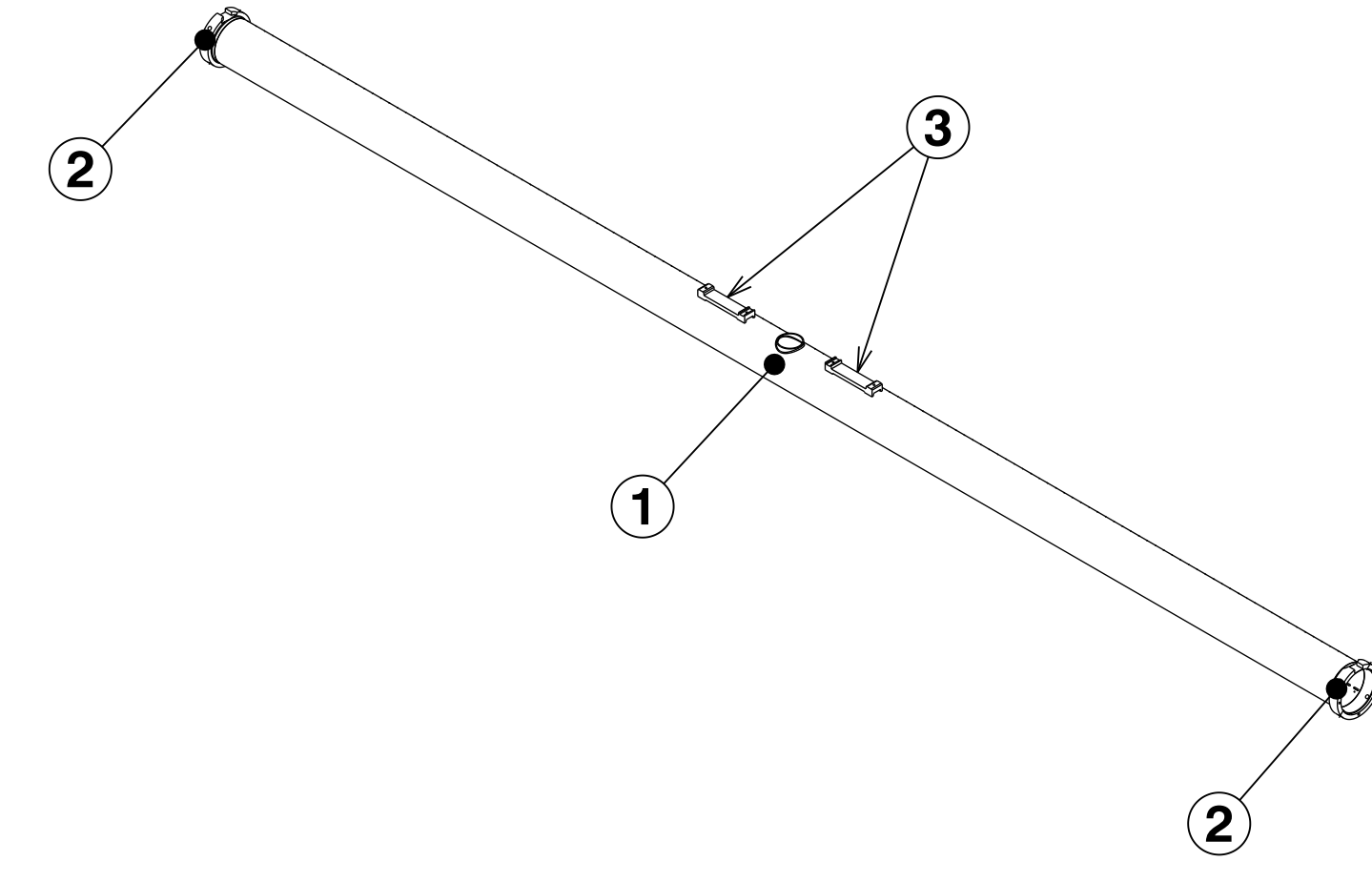
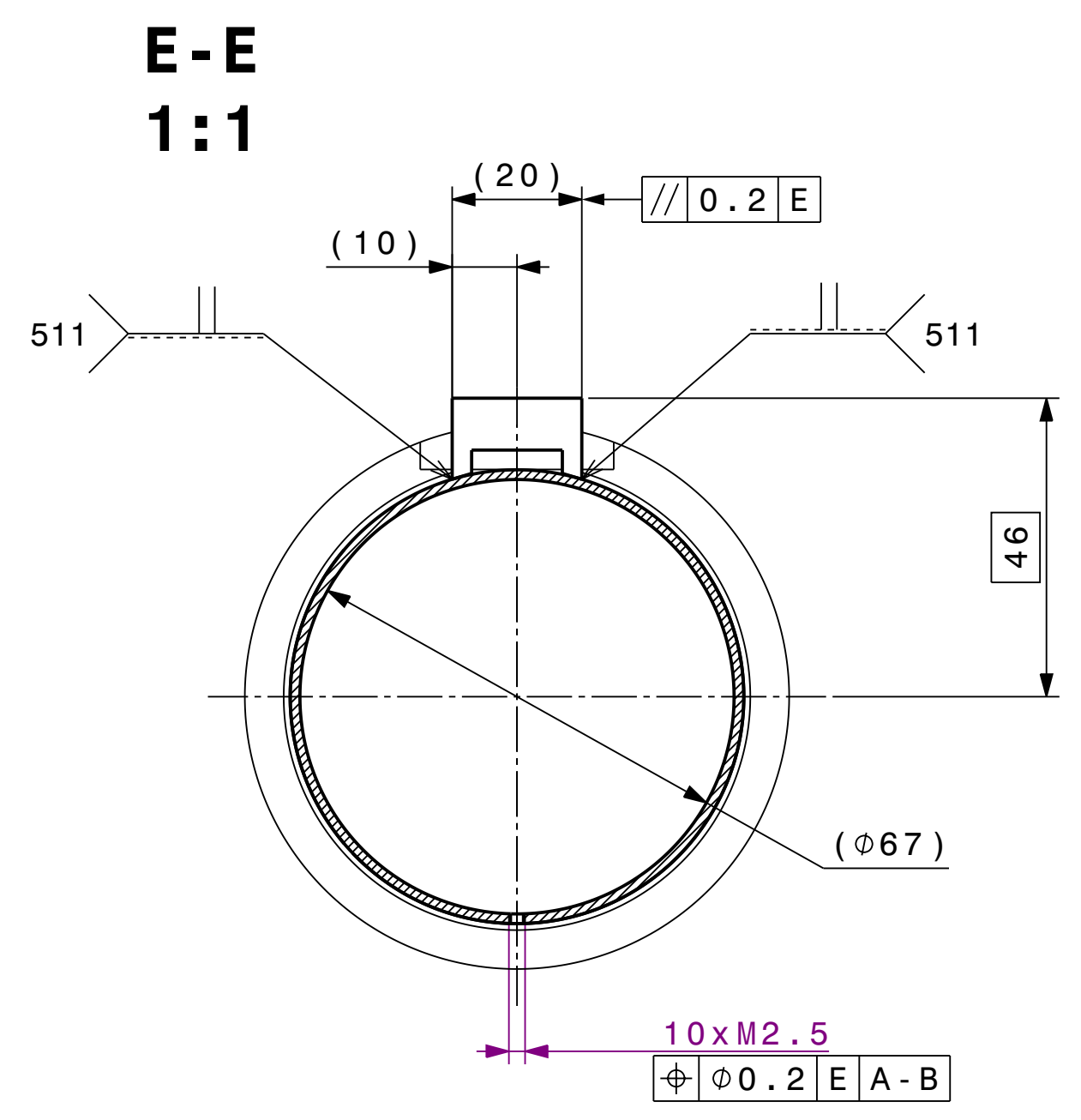
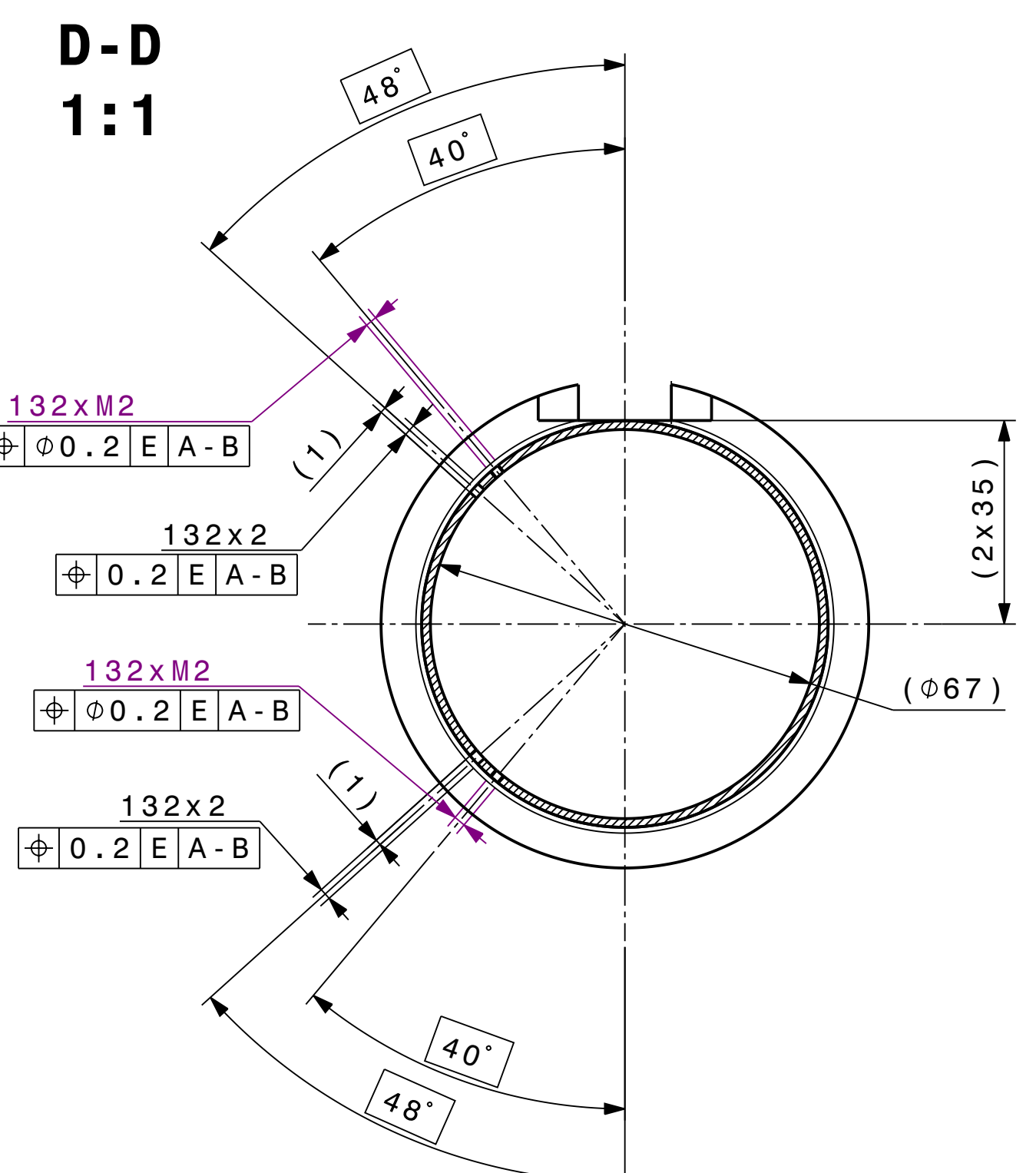
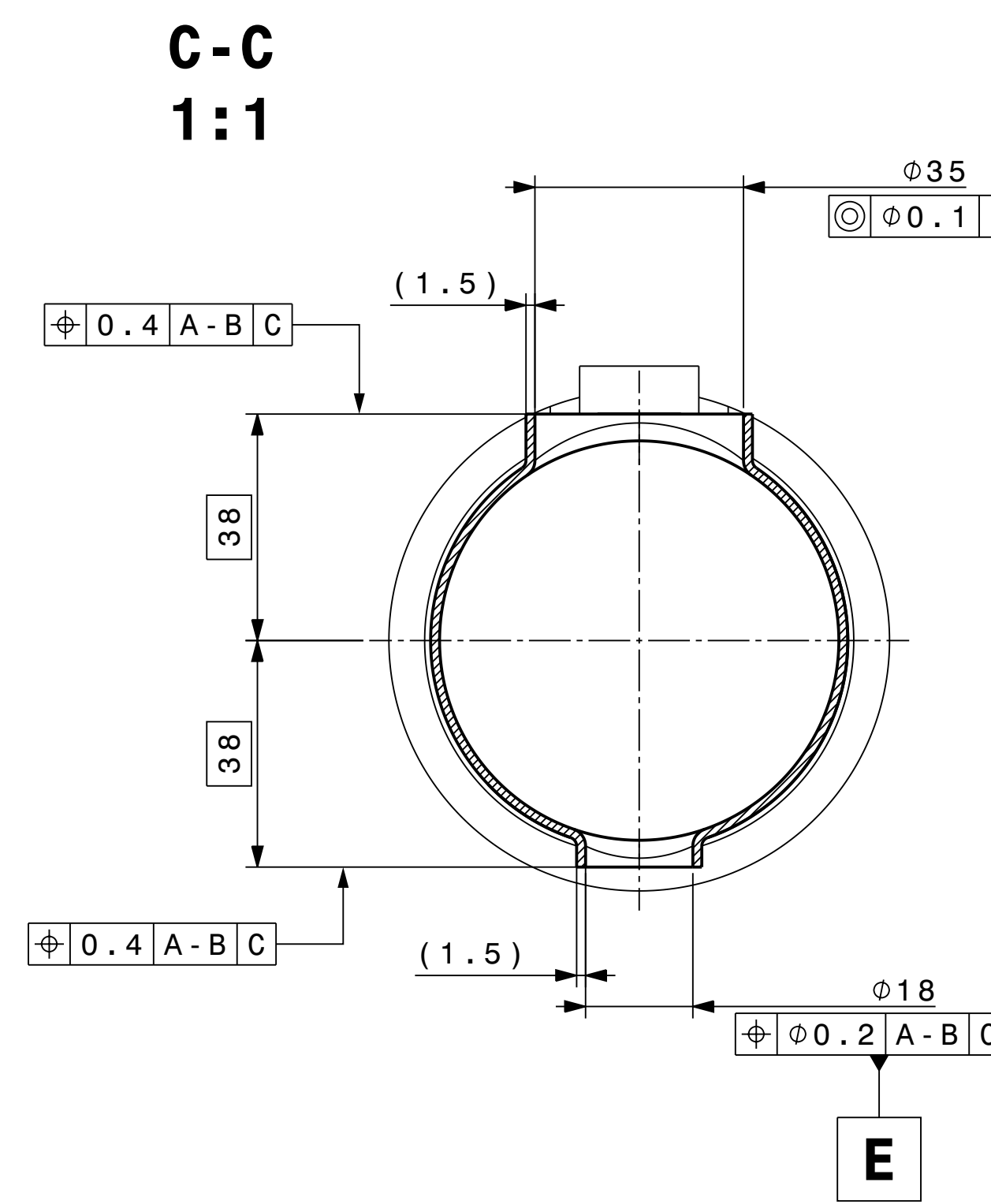
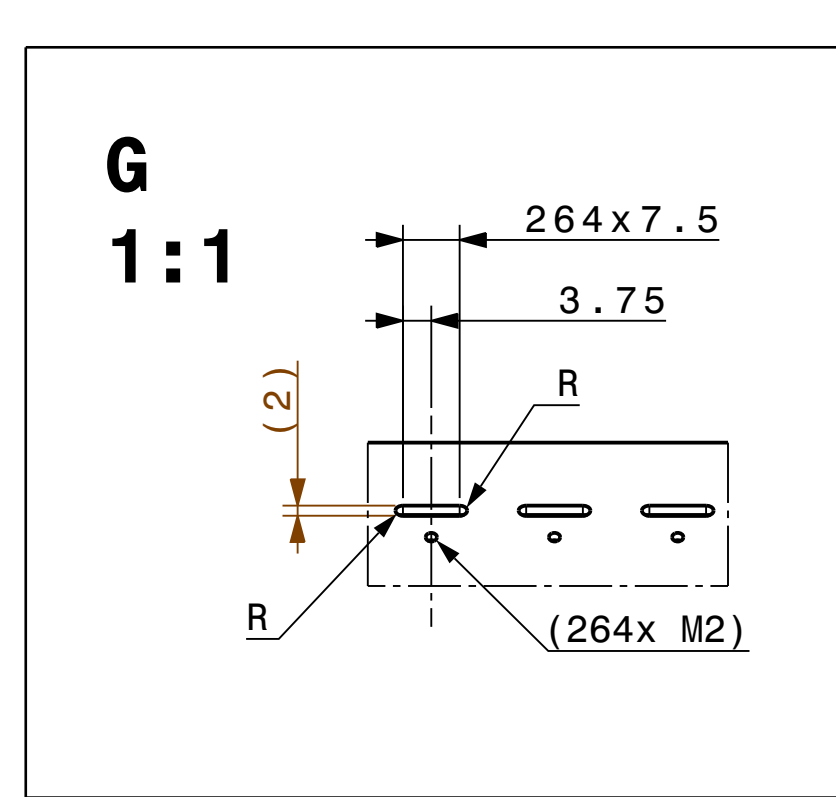
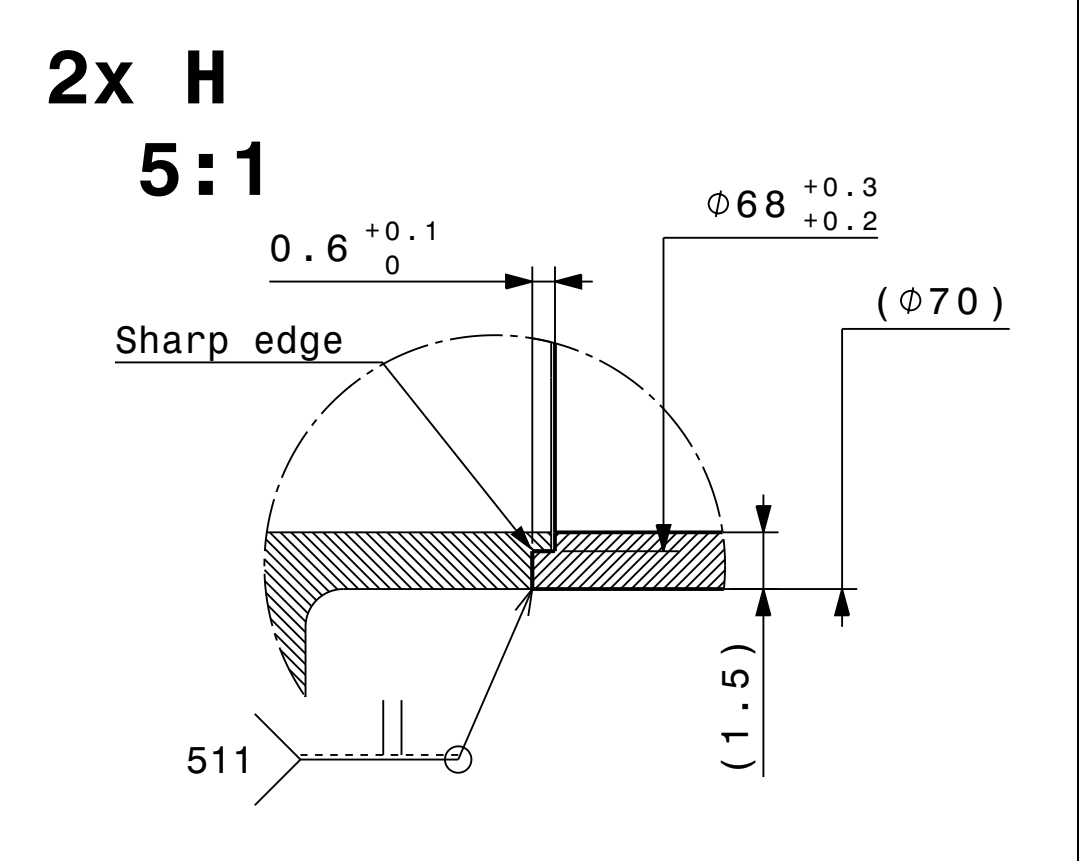
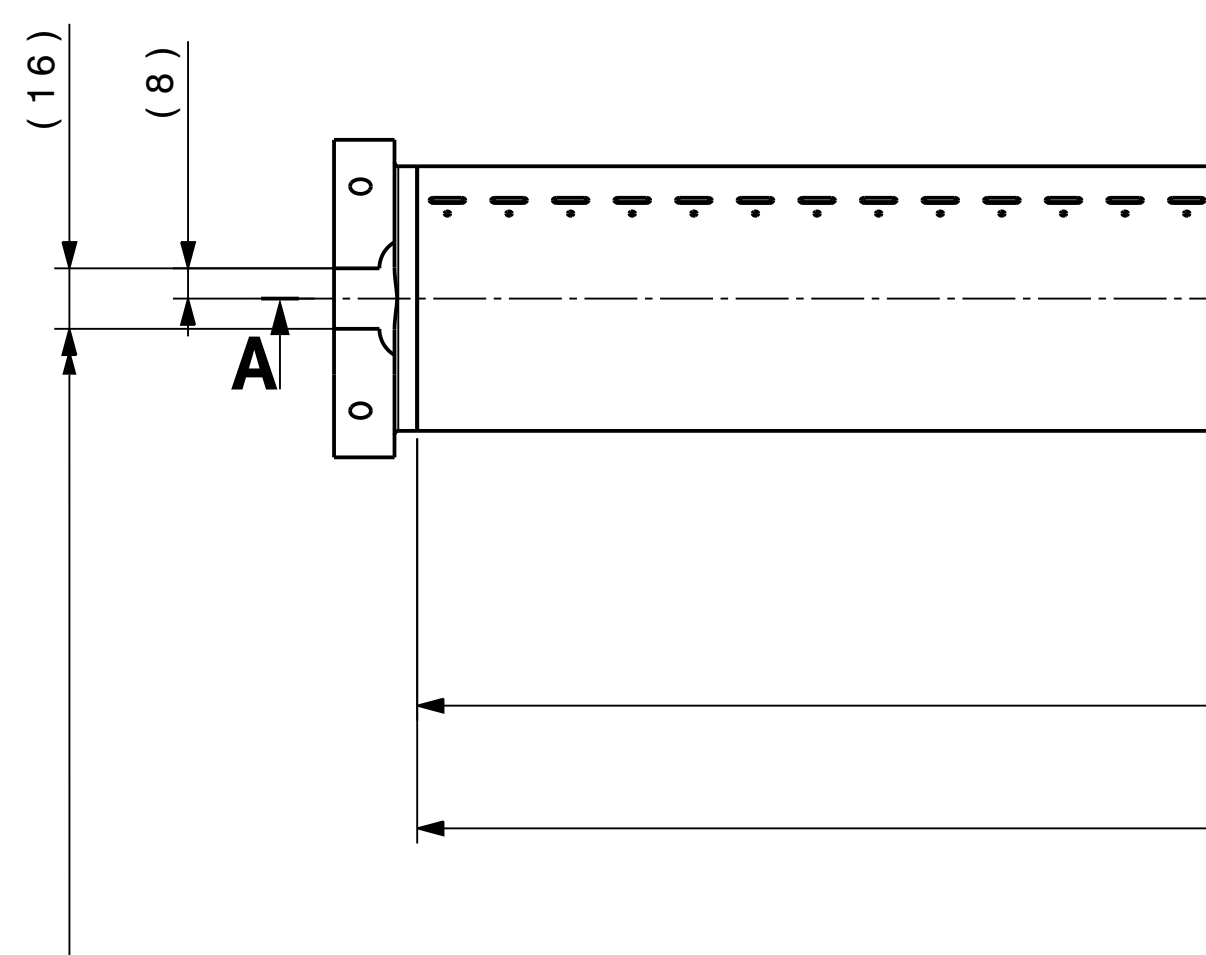
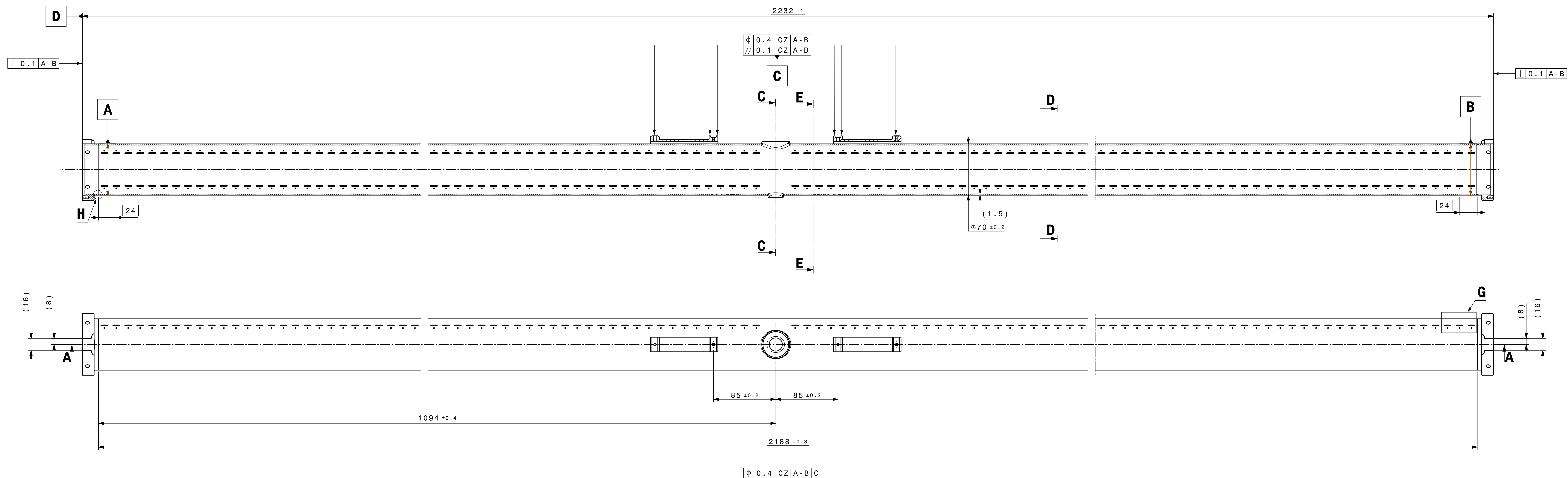


**A-A**  
**1:2**



Mass: 6.9 kg

QTA	DESCRIPTION	POS	MAT.	OBSERVATIONS	REF. CERN
2	CAVALIER POINT FIXE	3	Cu OFE		
2	BRIDE Ø84 x Ø70/67	2	Cu OFE		
1	TUBE Ø 70/67	1	Cu OFE		

ENS/ASS	S. ENS/S. ASS	SCALE	DATE
		1:2	2015-04-09

BEAM SCREEN + FLANGES  
ECRAN FAISCEAU + BRIDES

UNLESS OTHERWISE MENTIONED, APPLICABLE ISO GPS STANDARDS ARE THOSE PRIOR TO 2010-08-01 REGARDLESS OF THE DRAWING DATE

NON VALABLE POUR EXECUTION NOT VALID FOR EXECUTION

DESIGNED BY: E. FERNANDEZ  
 DRAWING NO.: ST0673045\_02  
 DATE: 2015-04-09  
 SCALE: 1:2  
 SHEET NO.: 0