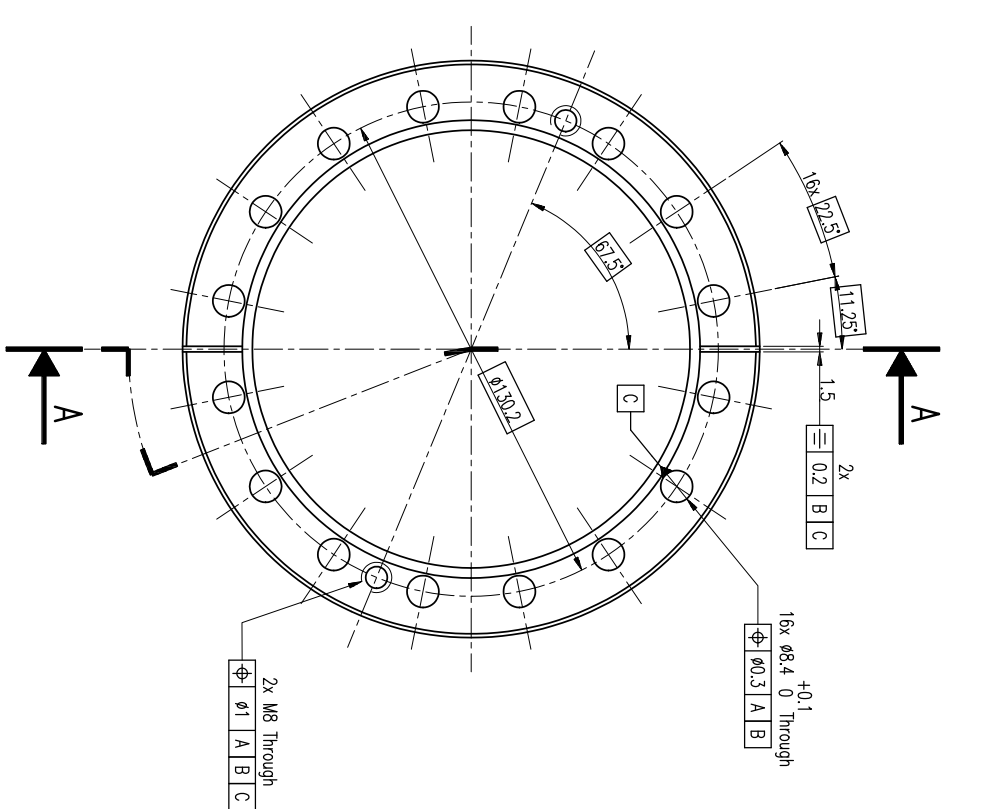
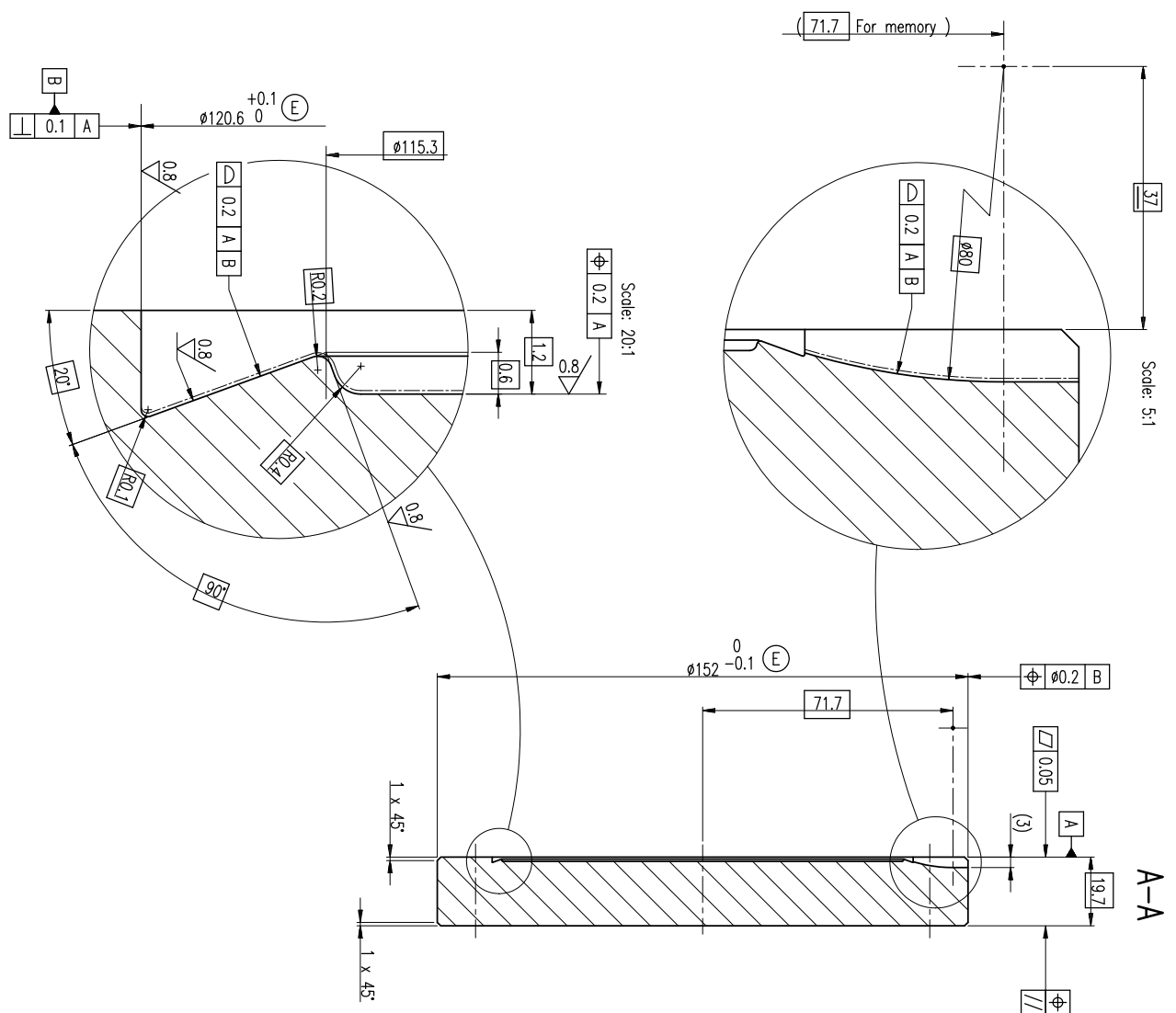


DIMENSION	<=6	> 6	> 30	> 120	> 315	> 1000	> 2000
USINAGE MOYEN/MEDIUM MACHINING	± 0.1	± 0.3	± 0.5	± 0.8	± 1.2	± 2	
MECANAL Soudure/WELDED STRUCTURE	± 0.5	± 1	± 2	± 3	± 5	± 7	± 10

IND	A
DATE	2000-06-18
IND	NON/NOM/NAME
ZONE	UPDATE FOR ISO NORM
MODIFICATION	

11	
10	
9	
8	
7	
6	
5	
4	

3	RELEASED BY	FOR	QC	STDV\FUHVO009	2	A
2	PROJECT LEADER OFFICE	INFORMATION	B	STDV\FUHVO009	2	A
1						



GENERAL TOLERANCES according ISO standard 2768-m
 Mass ca 2.7 kg

1.6 / [0.8]

QUANT.	Forged blanks	STDV\FUHVO001	Pos.3
ENS/ASS	DESCRIPTION	POS	MAT.
STANDARD MATERIAL	UHV FLANGE		
FIXED 152/100 SCEM 18.60.18.015.1			
SCALE 1:1	RELEASED G.POFFRAND	2000-09-14	
5:1	APPROVED J.LAURENT	2005-07-21	
20:1	REPLACE/REPLACES		

NO	1995-09-26
AGROTEMA	2000-09-14
AGROTEMA	2000-09-14
AGROTEMA	2005-07-21