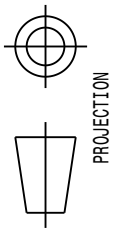
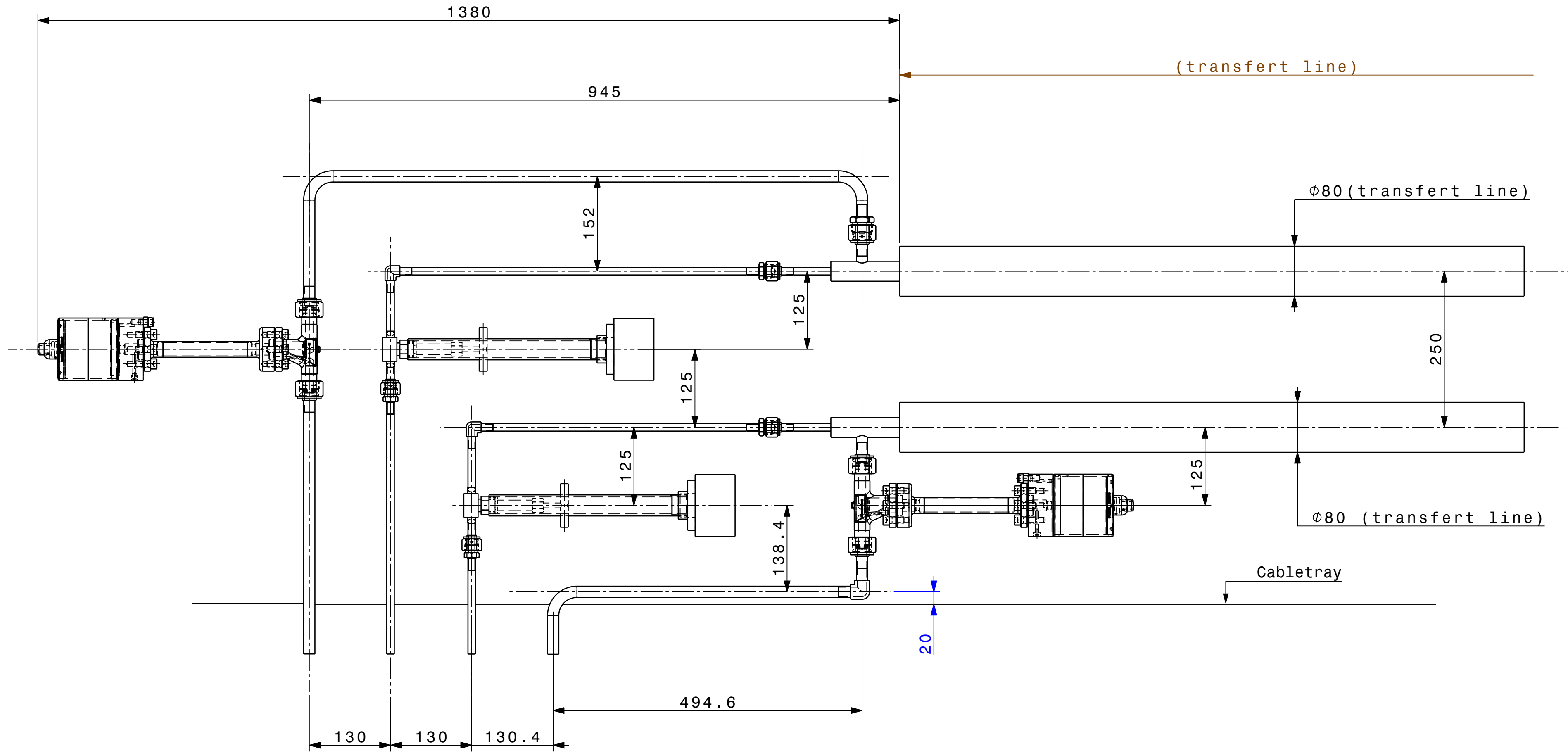


DESIGN RIGIDITY TOLERANCES  
 DRAWING RIGIDITY TOLERANCES  
 ACCORDING TO ISO STANDARDS



ORGANISATION EUROPEENNE POUR  
 LA RECHERCHE NUCLEAIRE RESEARCH  
 EUROPEAN ORGANIZATION FOR  
 NUCLEAR RESEARCH  
 CERN  
 Le dessin ne peut être utilisé à des fins commerciales sans autorisation écrite.  
 This drawing may not be used for commercial purposes without authorisation.



LAYOUT PIPES AND VALVES C02 JUNCTION BOX SIDE ARRANGEMENT PIPES AND VALVES C02 COTE JUNCTION BOX	SCALE	DRAWN	0. JAMET	2016-10-12
	1:5	CONTROLLED		
		RELEASED		
		APPROVED		
		CAD Document Number ST0798181_02		
REPLACES				
NON VALABLE POUR EXECUTION NOT VALID FOR EXECUTION	QAC	-		
	SIZE	IND.	2	