

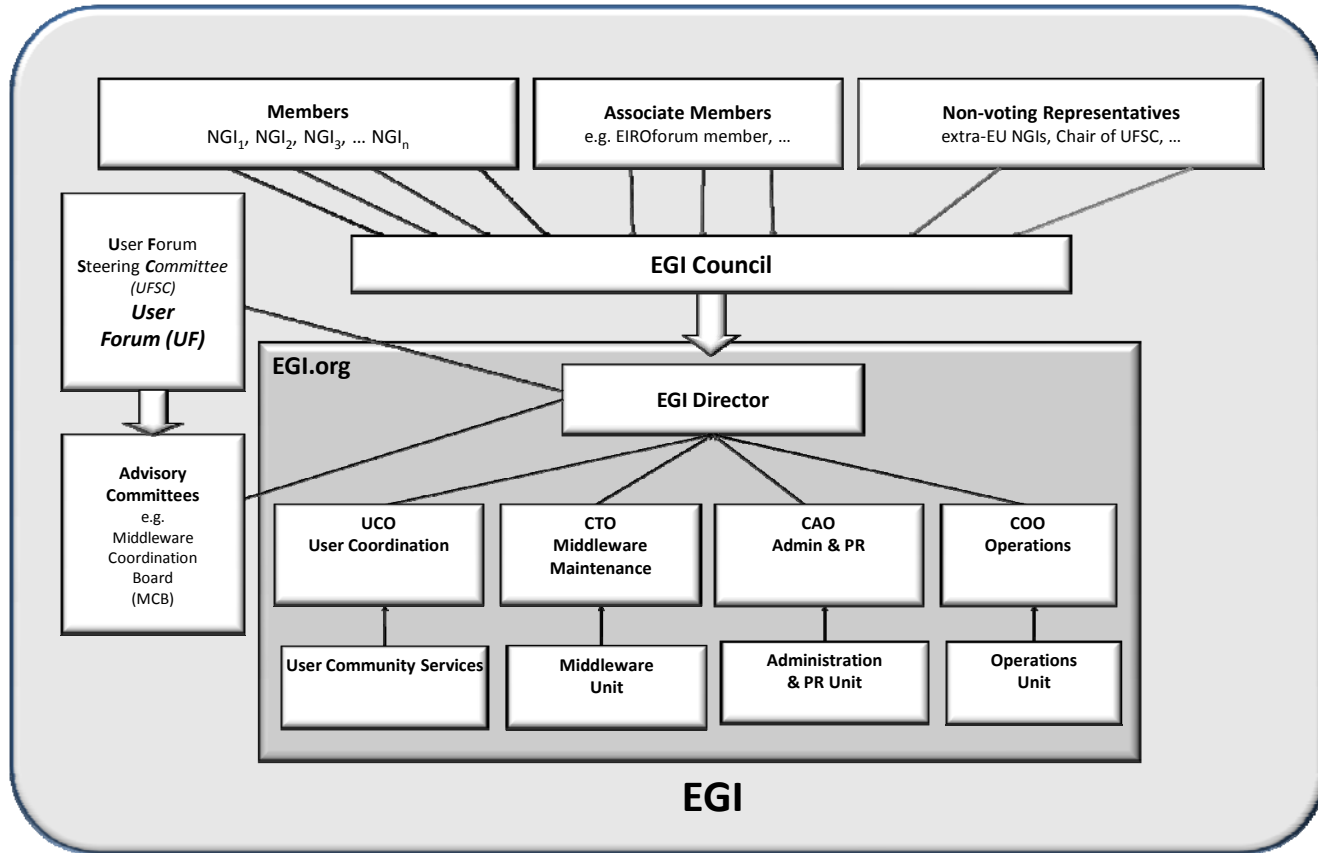
# The EGI Era

*Oliver Keeble*

*JRA1/SA3 All Hands, Cyprus*

- **Main purpose of this meeting is to establish how we are going to run the software process in year 2.**
- **Big changes are coming in order to orient the EGEE-III to the EGI era**
  - EGI.org
  - EGI era
  - UMD
  - gLite Consortium
  - Product Teams
- **To understand year 2 changes, we have to understand what we're aiming for.**
- **How do we prototype EGI within EGEE?**
- **Many details remain to be decided**

# Organisational Structure



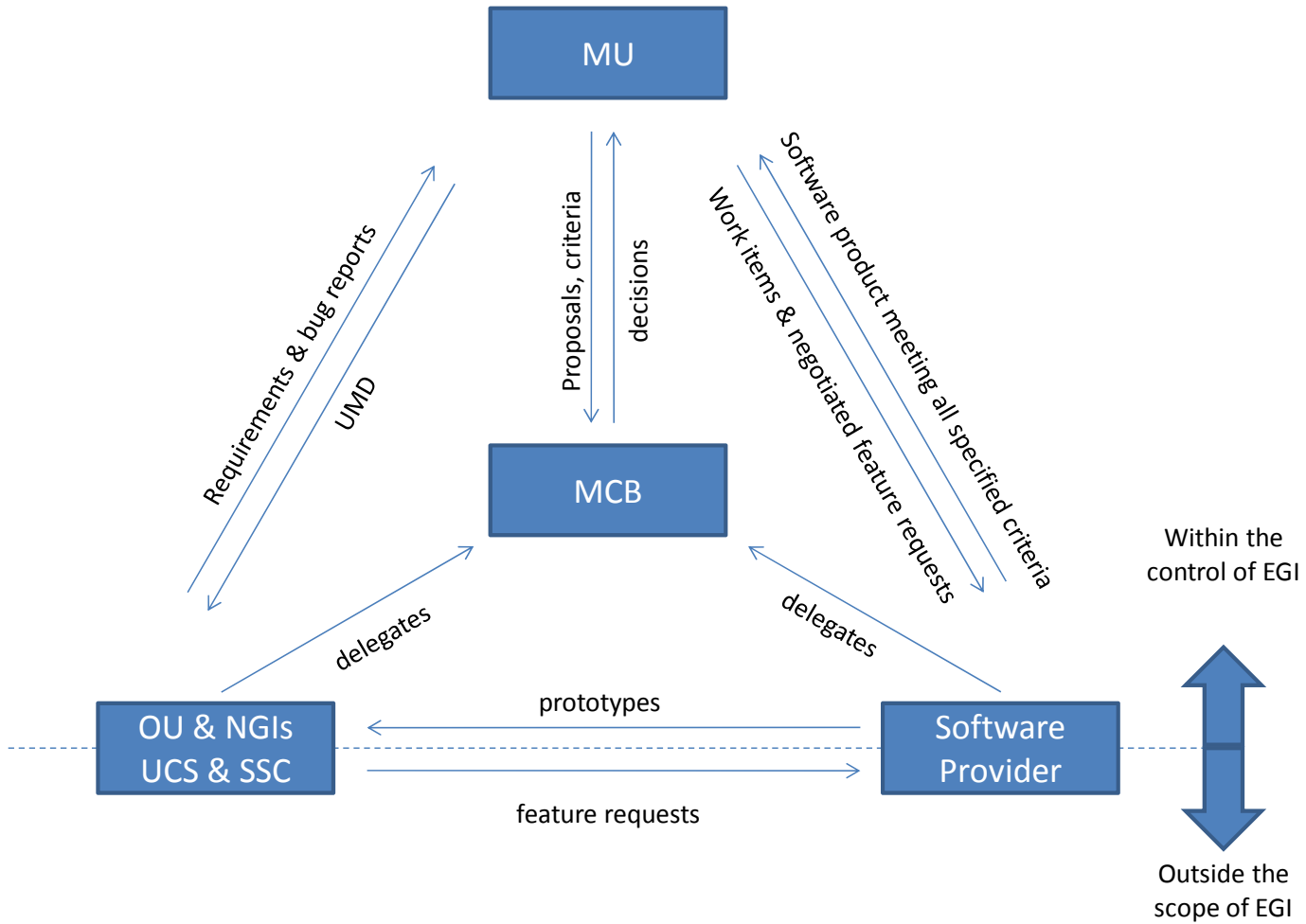
- "The middleware consortia ARC, gLite and UNICORE propose to foster the convergence of their current solutions into a **Unified Middleware Distribution (UMD)**, similar to what the Virtual Data Toolkit (VDT) in the US is for the Open Science Grid (OSG)."
- Maintenance (with EGI.org)
- Harmonisation
- Development
- ...research
- To present a compelling case for attracting further funding.

- <http://knowledge.eu-egi.eu/knowledge/index.php/UMD>
- **There are a series of meetings and three working groups**
  - Technical
  - Operations and User requirements
  - Process
- **Focus now on defining the scope and sphere of operations of UMD and its interface with other players.**

- **UMD Roadmap**
  - 18-24 month timescale
- **Categorisation of releases**
  - Bugfixing
  - Non-trivial, backward compatible
  - Significant
    - Eg introduction of a new service
- **Players, roles and decisions**
  - Middleware Unit
  - Product Teams
  - Users
  - MCB

The MCB within EGI.org is composed of representatives of the following areas:

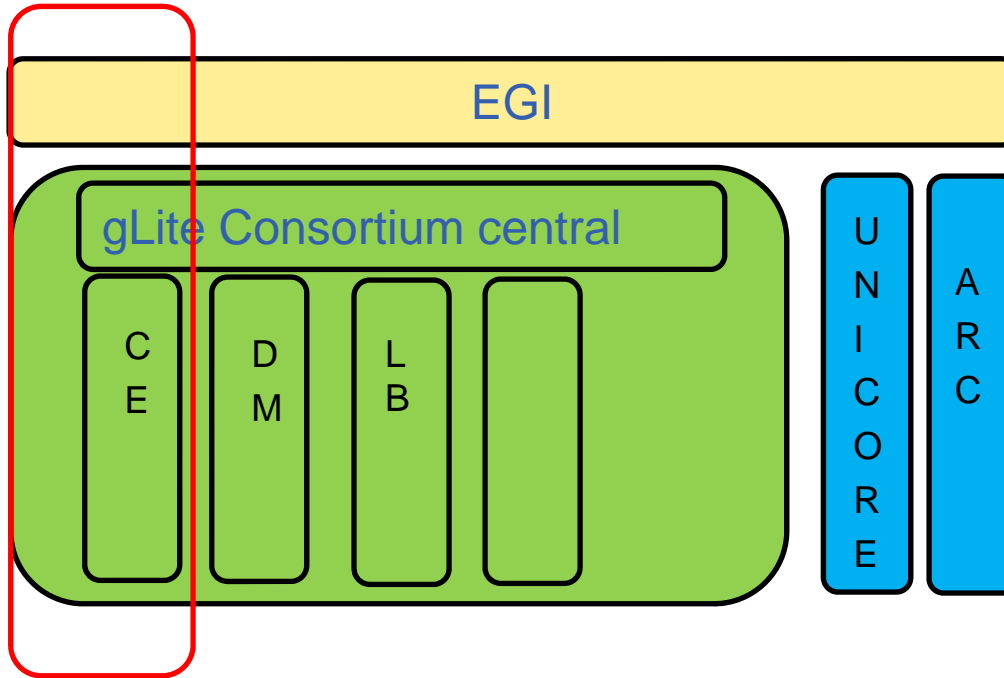
- the **User Community Services (UCS)** teams on behalf of the Specialised Support Centres, representing the various user communities organised in thematic disciplines.
- the **operations** function representing globally the operational requirements of EGI.org, NGIs and Resource providers;
- the main **middleware developers** of the components in use in the EGI e-Infrastructure as the three European Middleware Consortia;





<b>Id</b>	<b>Position</b>	<b>Allocated Effort</b>
MU1	Process and Generic Quality Criteria	1
MU2	Process Tools	1
MU3a	Define Component Specific Criteria	3
MU3b	Validate Component Specific Criteria	
MU4	Package Repository	2
MU5a	Execute Plans	1
MU5b	Standards	
UCS1	Coordination of SSC activities (Requirements – task 1)	1 (partial)
UCS2	Grid Planning and Technical Coordination	2 (partial)
OU1	Requirements Gathering	0.5
OU2	Testbed support for middleware deployment	1
OU3	User Support	2

- ... and what is a product?
- “It is envisaged that the software providers will be responsible for delivering to EGI an integrated solution that includes all development, integration, testing and certification of the software element in the environment specified by the MU which will be representative of the expected environment found in production deployments.”
- For now at least, it’s a “node-type”



Product Team

gLite Consortium

EGI/UMD

- **What was presented was an overview of the emerging picture of software change management in the EGI era**
- **It is the thing towards which we are all supposed to be transitioning during year 2**
- **We need to find ways of prototyping it within EGEE-III structures**