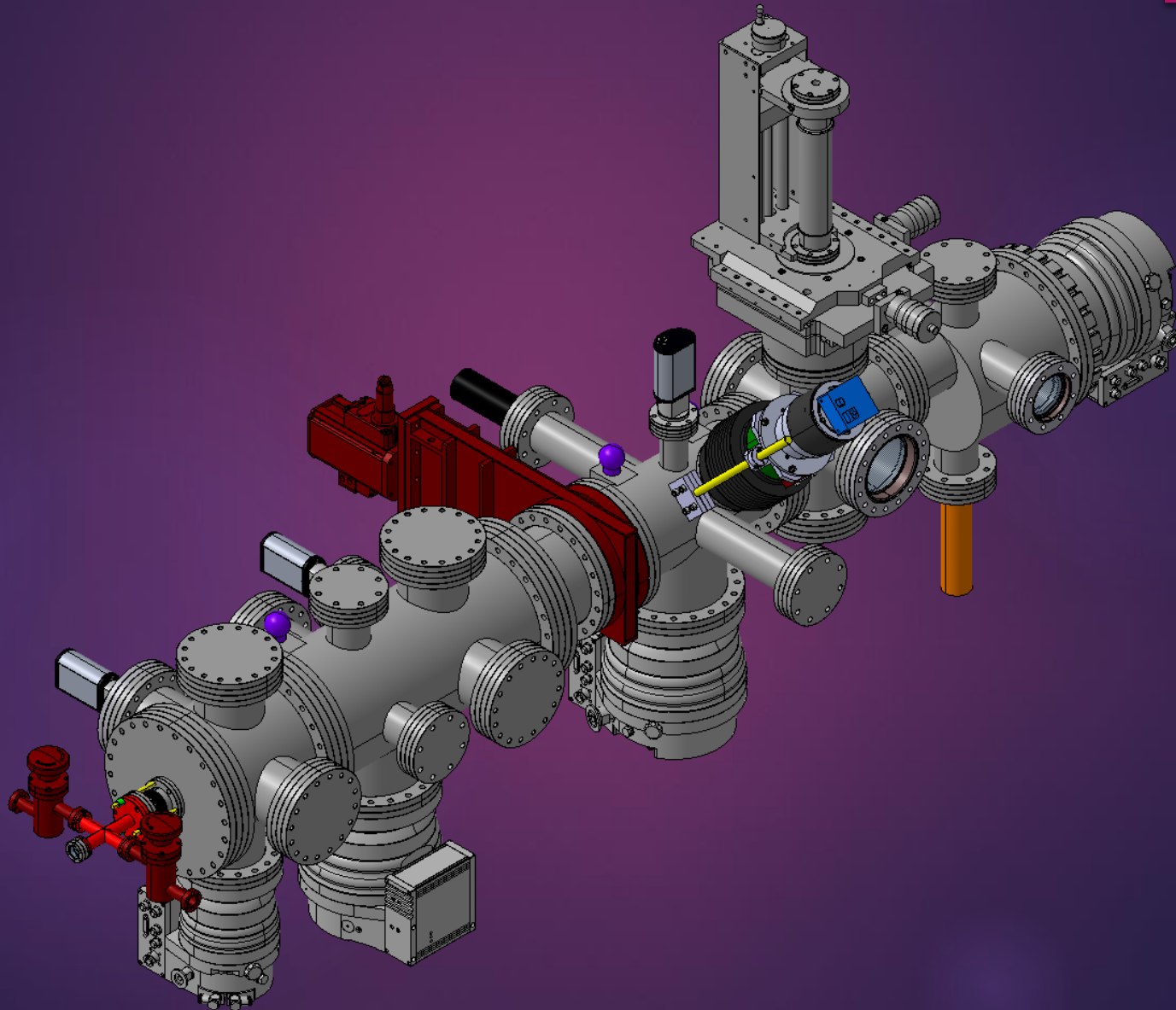




Implementation of the recommendations from the Design Review at CERN

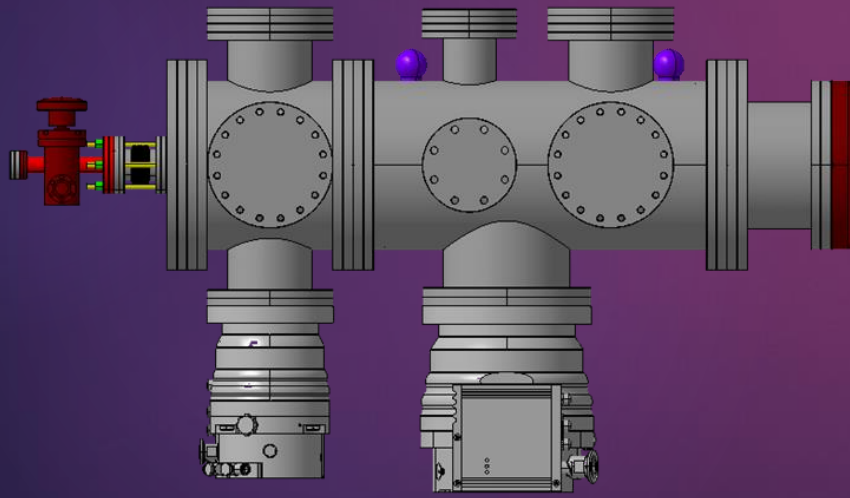
Beam Gas Curtain

Global overview

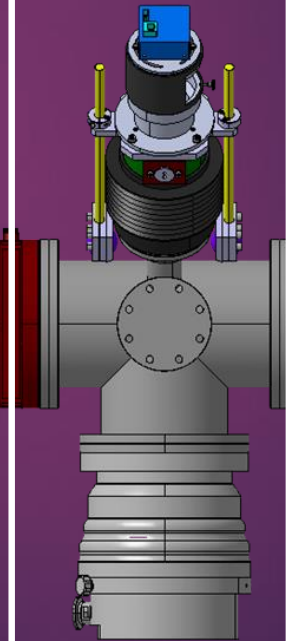


Sections of the BGC system

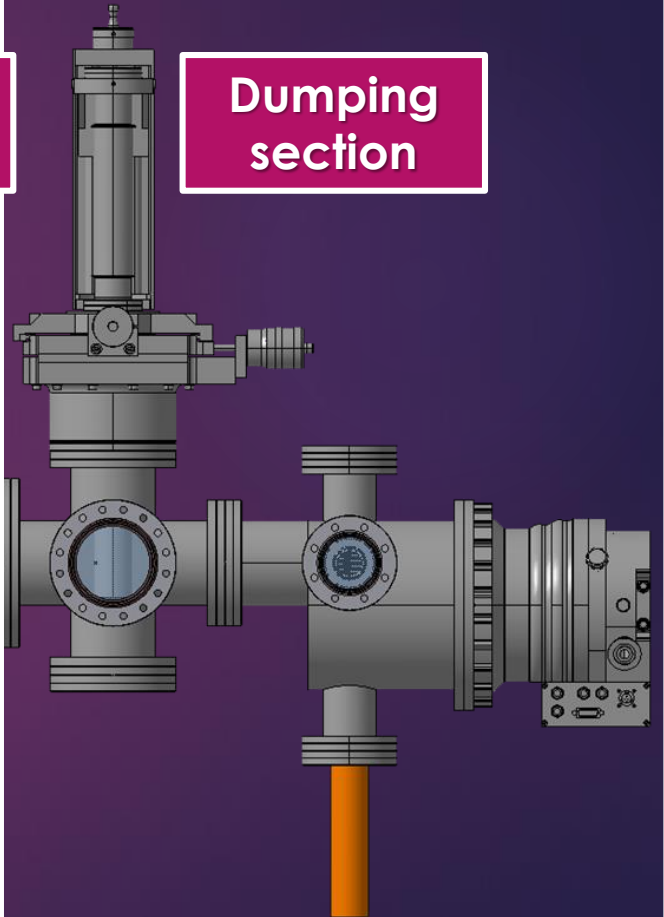
Expansion section



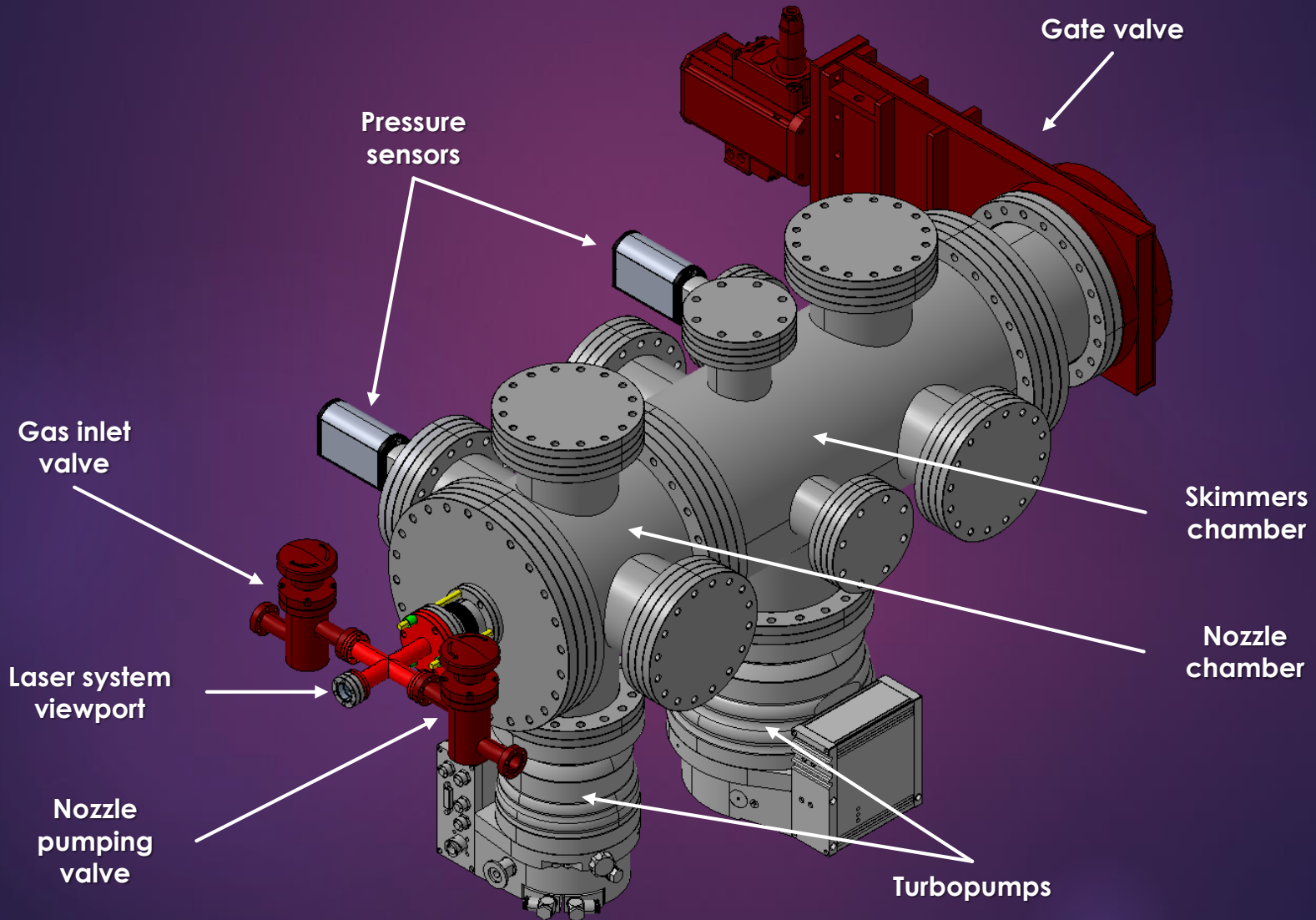
Interaction section



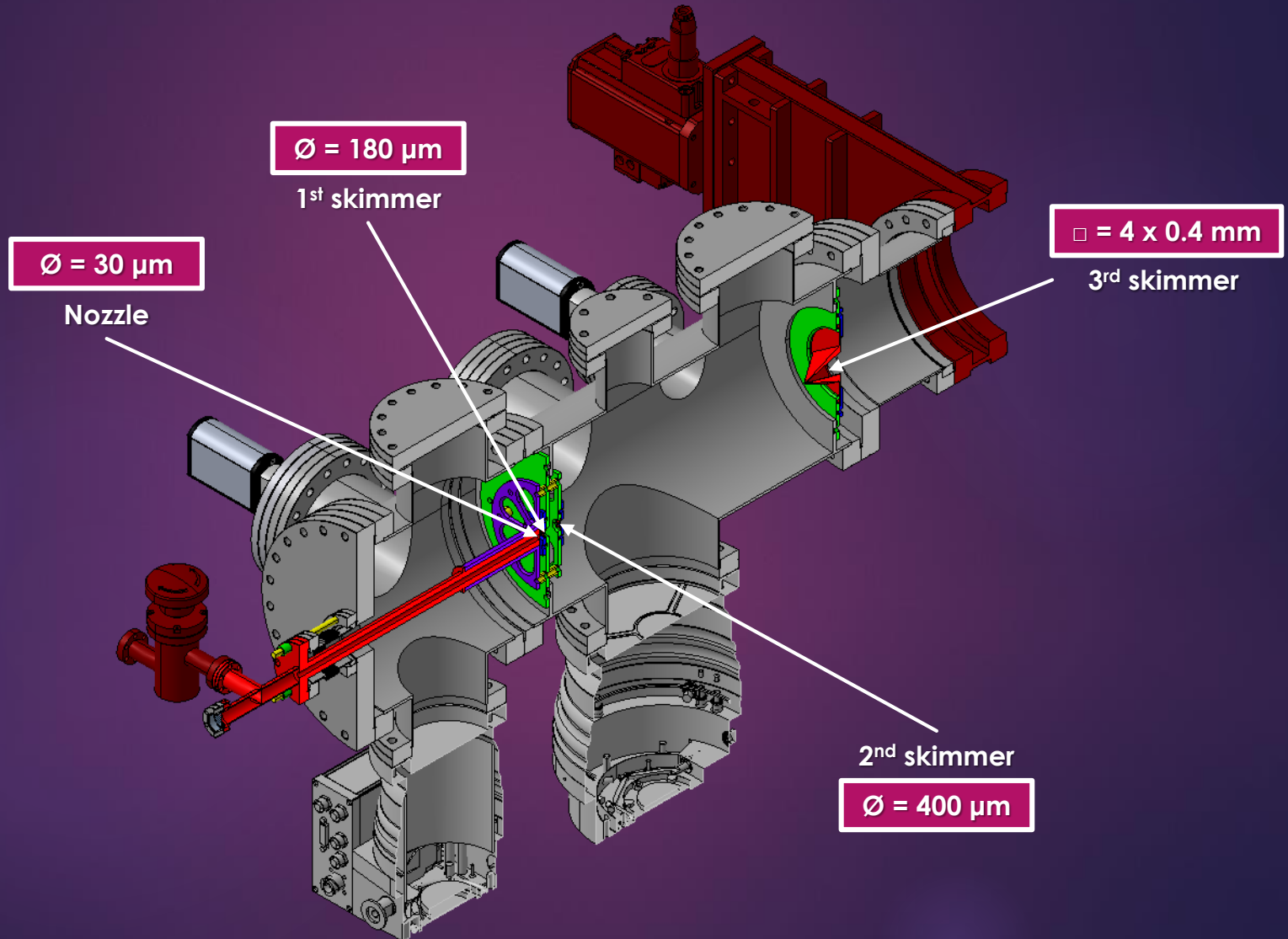
Dumping section



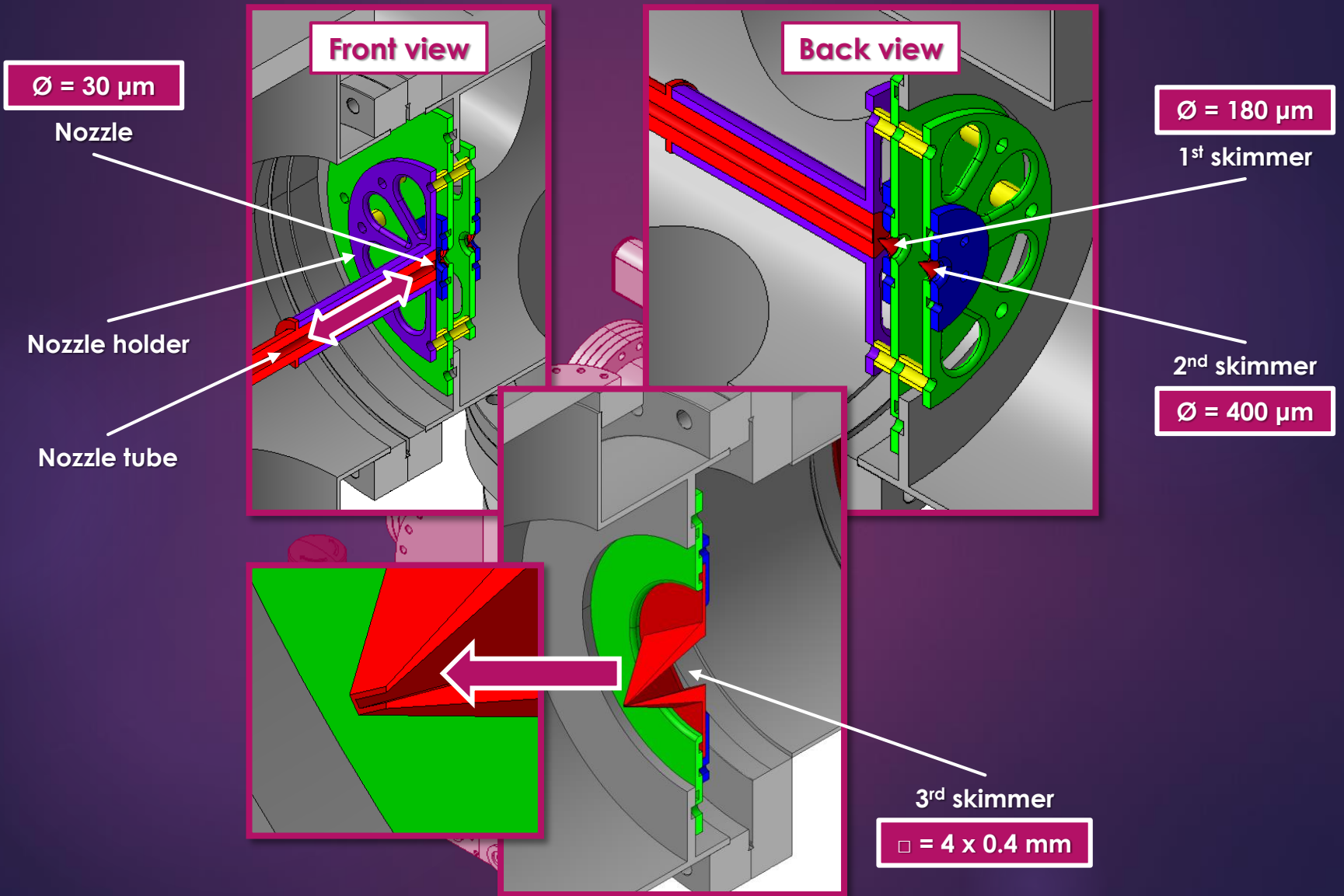
Expansion section



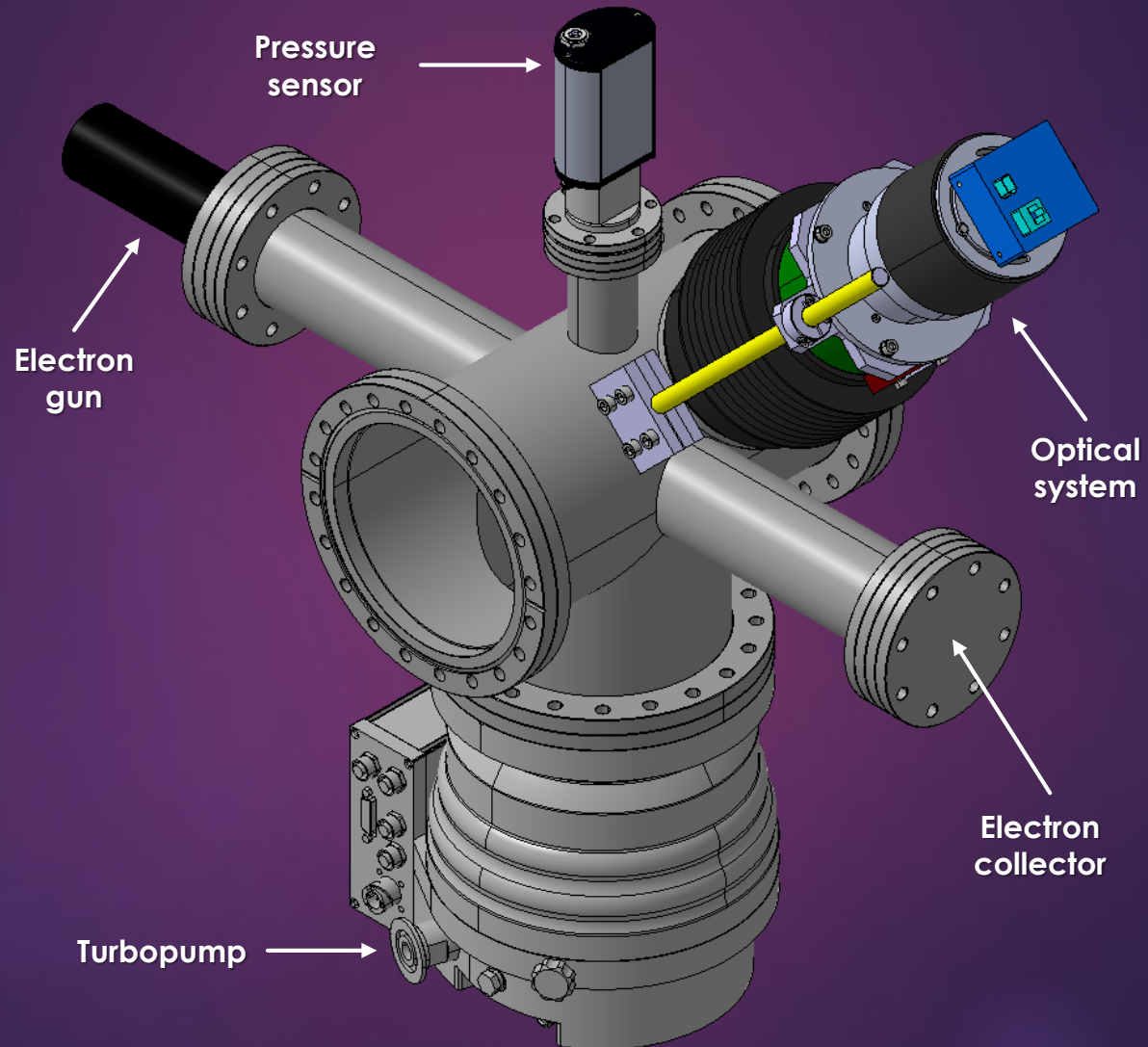
Expansion section



Expansion section

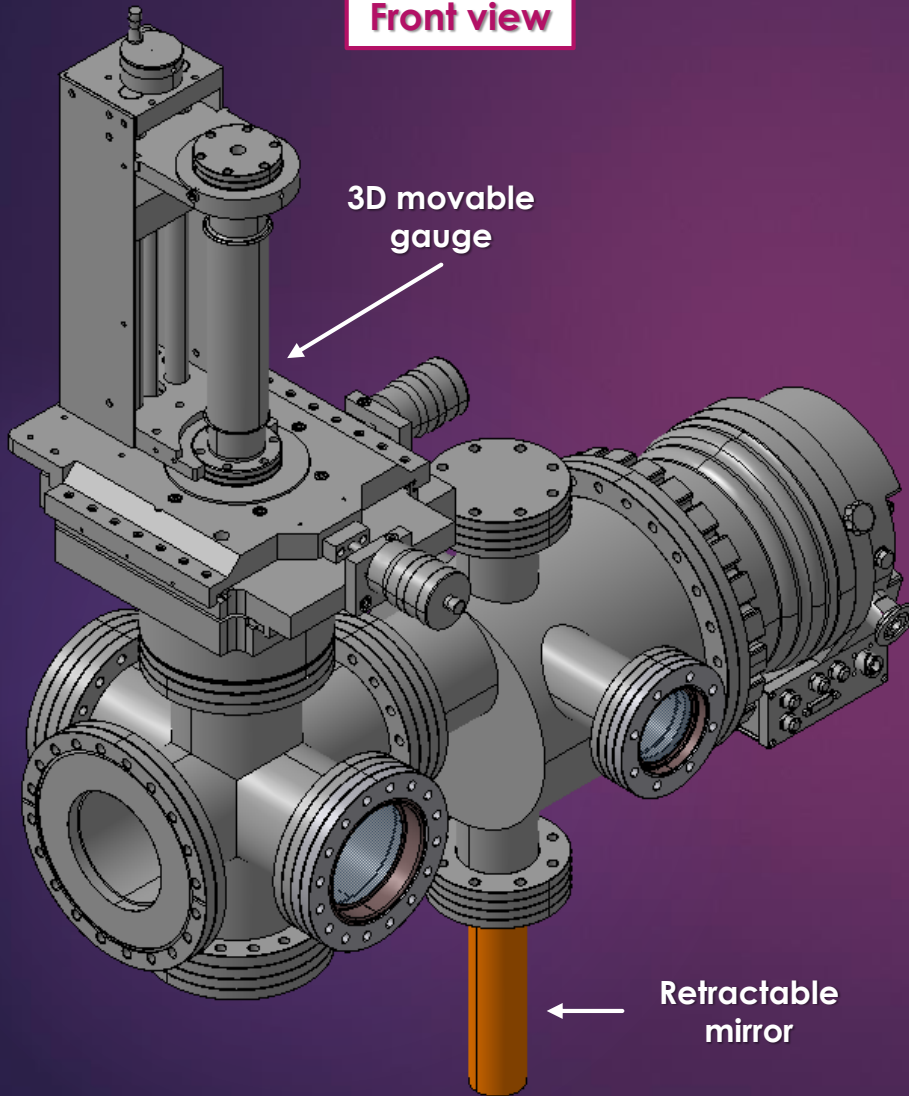


Interaction section

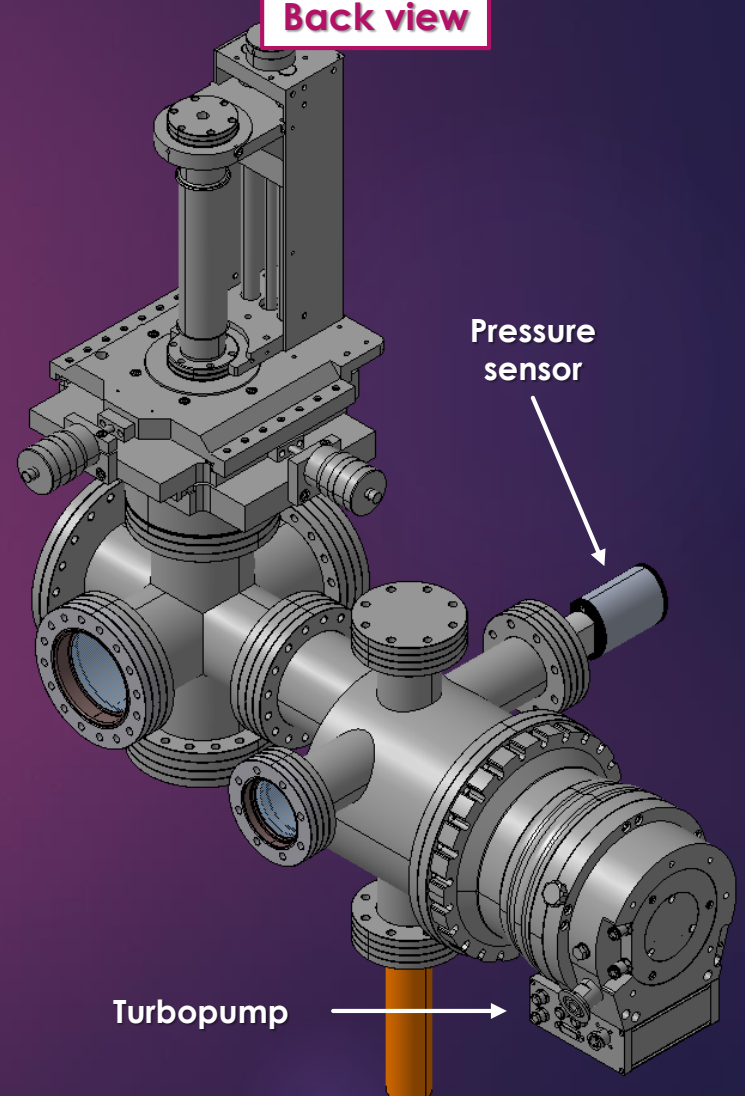


Dumping section

Front view

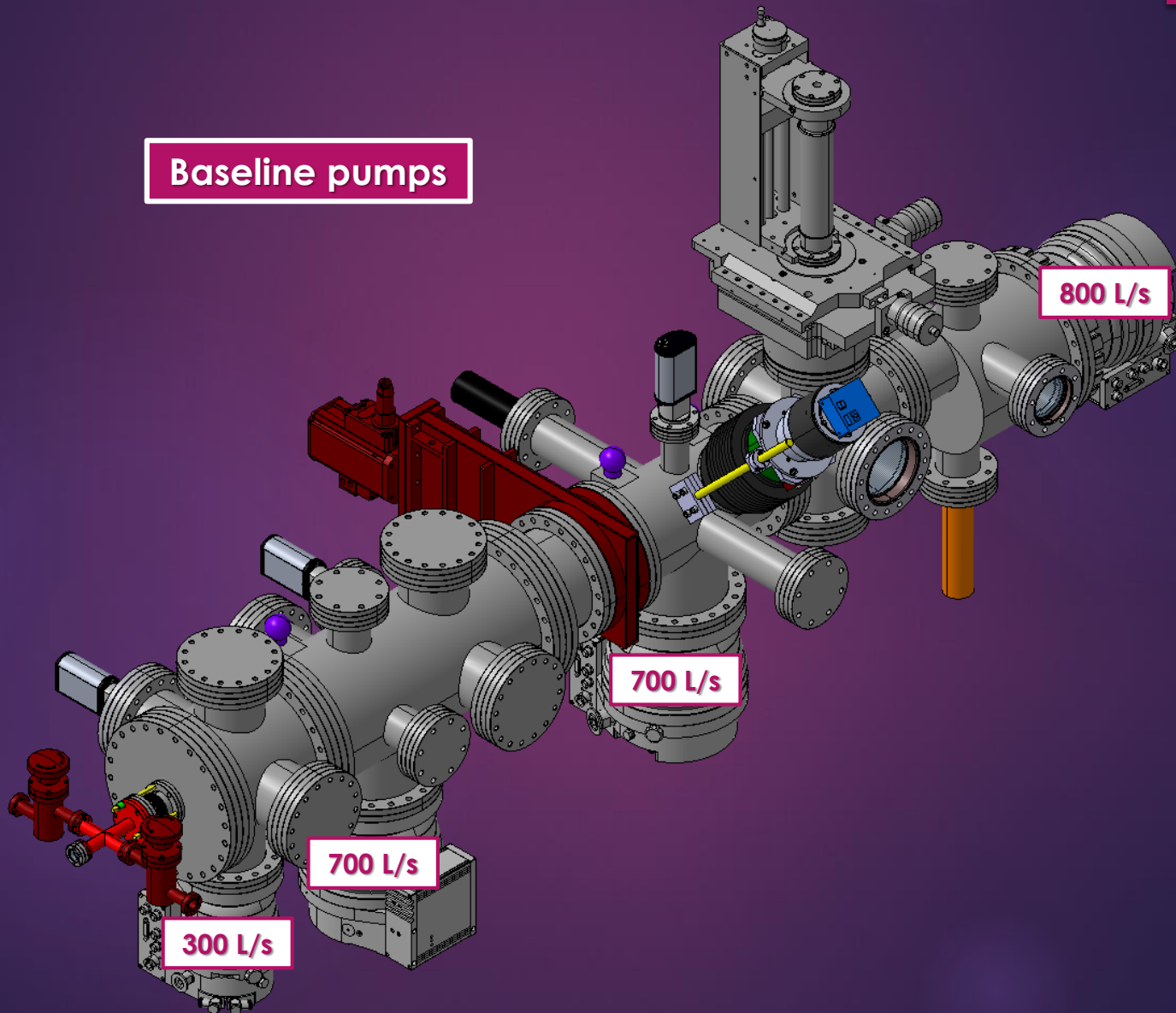


Back view



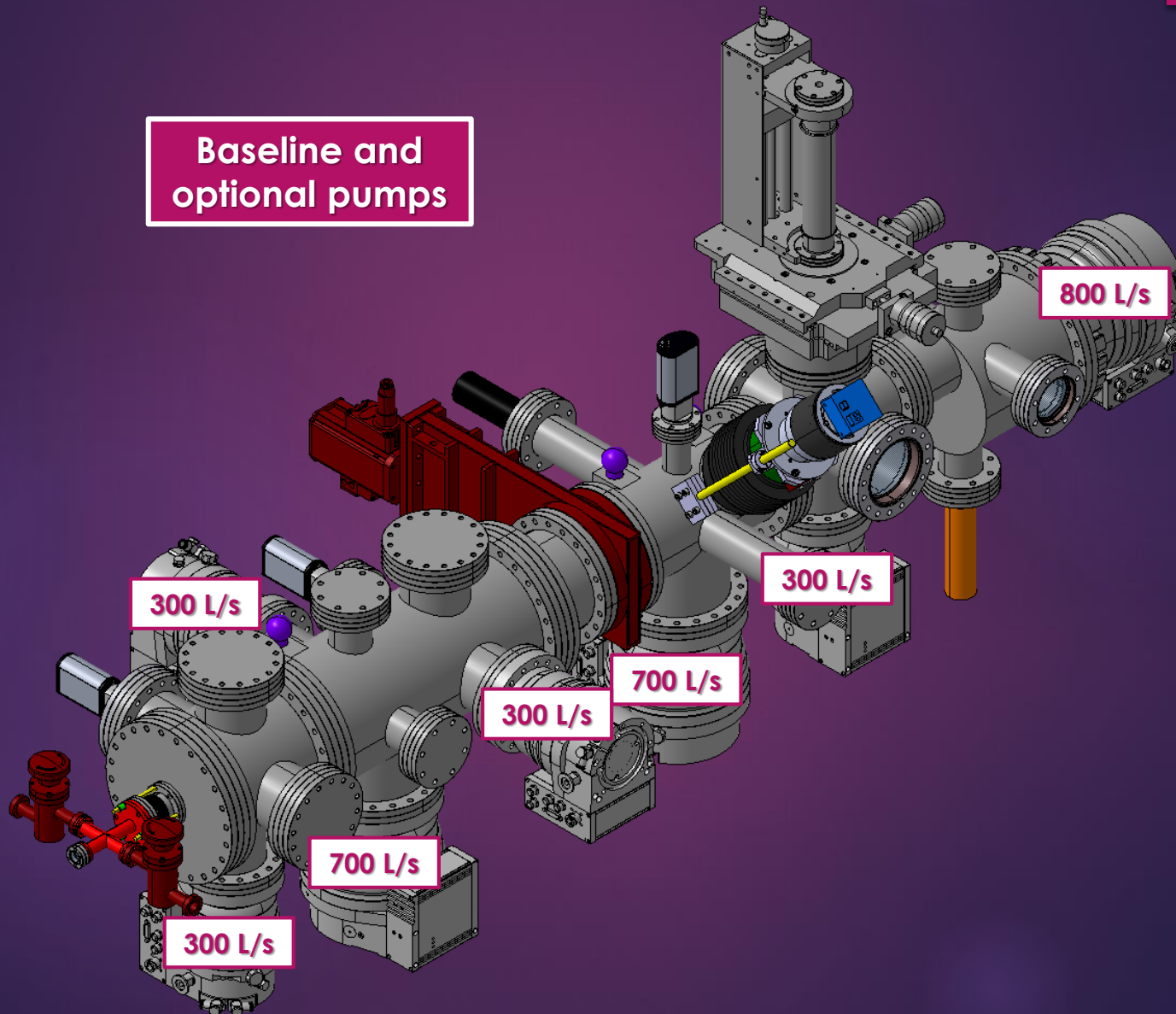
Vacuum system

Baseline pumps



Vacuum system

Baseline and
optional pumps



Expected pressures

Static Pressure < 10^{-9} mbar

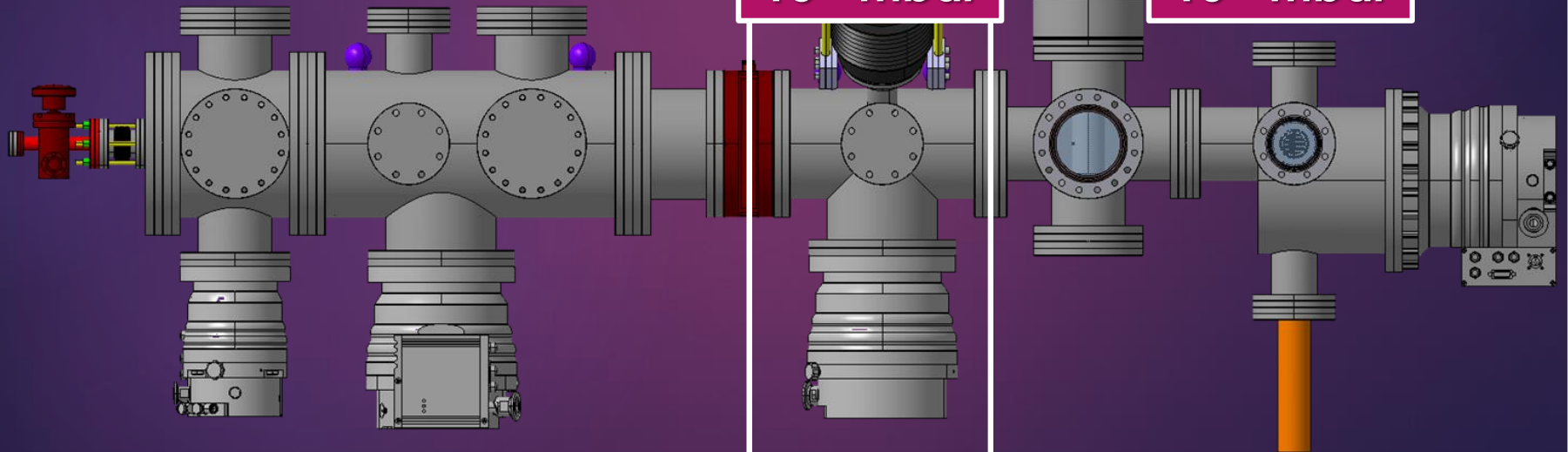
Dynamic Pressure Ranges (Order of Magnitude)

10^{-3} mbar

10^{-6} mbar

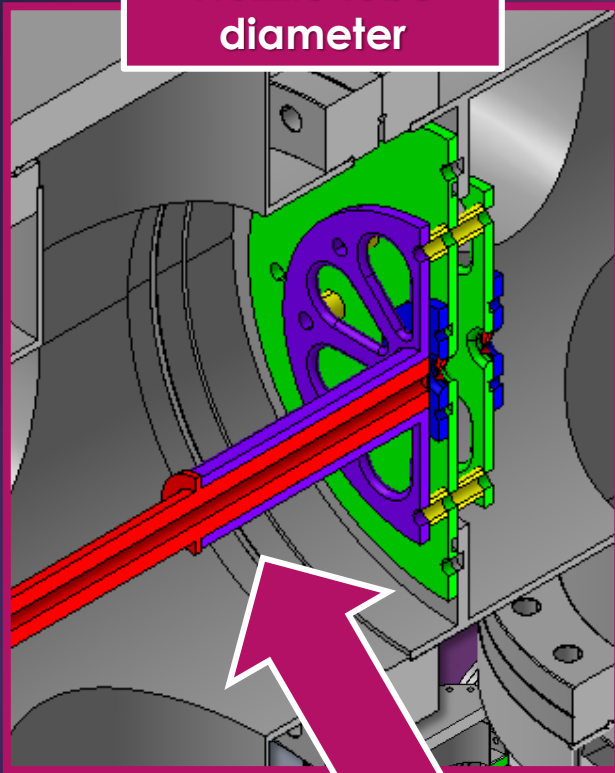
High
 10^{-9} mbar

High
 10^{-9} mbar



Main changes

Nozzle tube diameter



Dumping chamber shape

