

ALPS Project Status & Plans for this EYETS

Firmware status:
GEFE (GBTx) interface

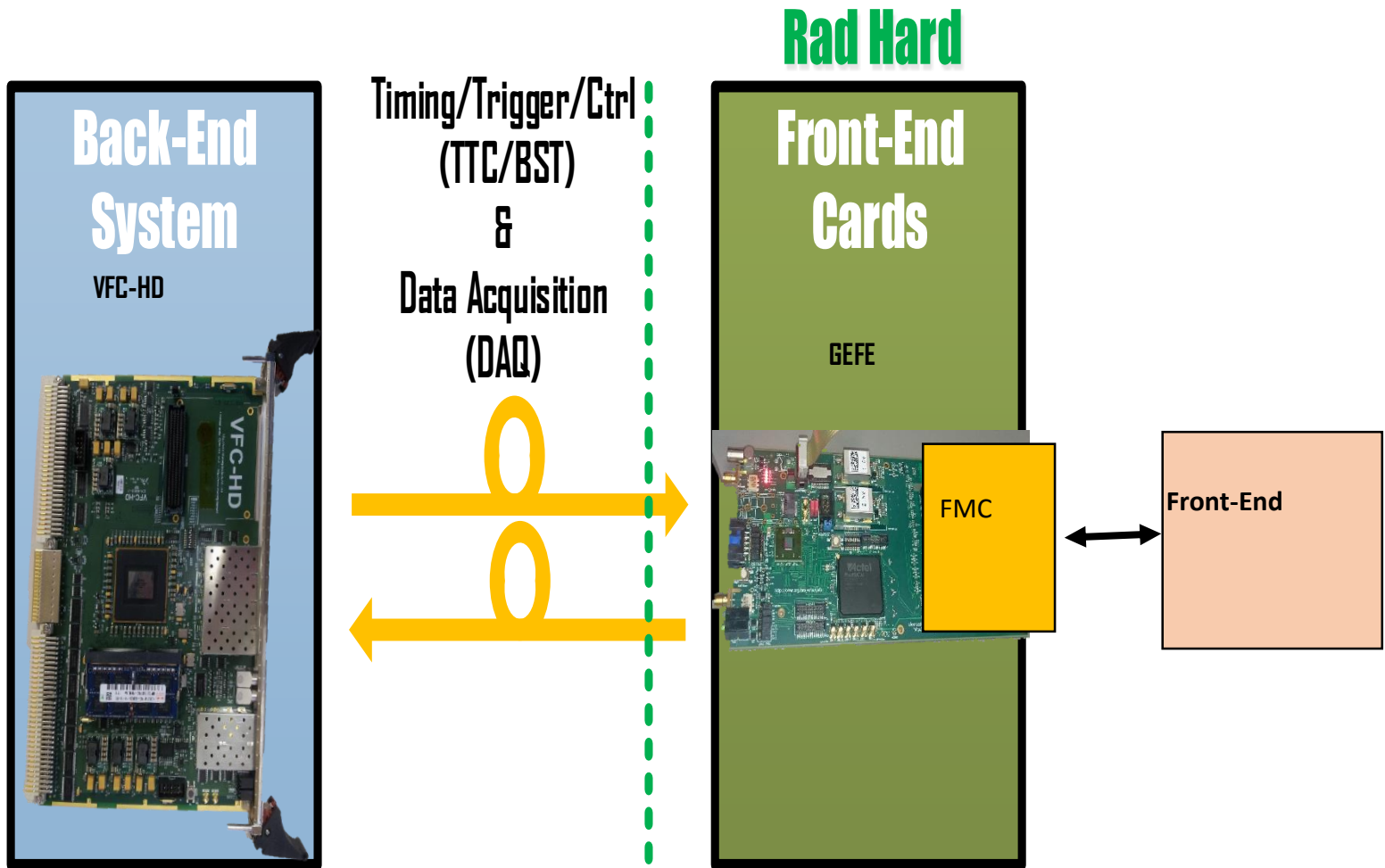


BE-BI-QP

Manoel Barros Marin
(25/01/2017)

Introduction

- VFC-HD/GEFE communication block diagram



Status & Outlook

- **Status**

- Communication VFC-HD/GEFE fully operational
- BDF (ADC card) readout fully operational
- LogAmp board calibration signals successfully tested
- VFC-HD & GEFE gateway for LogAmp board qualification available

- **Outlook**

- Qualify the new revision of the LogAmp board
- Upgrade standard version of GBT-FPGA to latency deterministic
- Implement operational gatewares for VFC-HD and GEFE