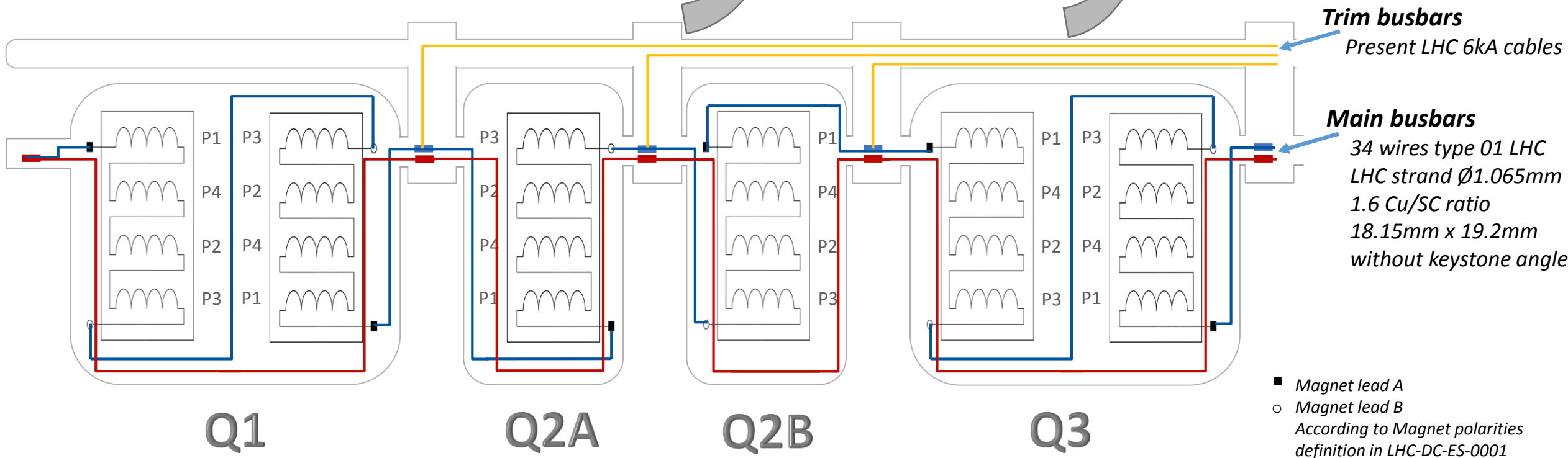


2 external feeding lines (\varnothing_{int} 50mm)

- Trim circuits
- Orbit corrector circuits
- High order corrector circuits
- CLIQ leads?
- Instrumentation?

Splice box (\varnothing_{int} 137mm)



Trim busbars

Present LHC 6kA cables

Main busbars

*34 wires type 01 LHC
LHC strand \varnothing 1.065mm
1.6 Cu/SC ratio
18.15mm x 19.2mm
without keystone angle*

- Magnet lead A
 - Magnet lead B
- According to Magnet polarities definition in LHC-DC-ES-0001*

Q1

Q2A

Q2B

Q3