



LIEBE coordination – 22nd Mar 2017 - IPUL

T. Stora

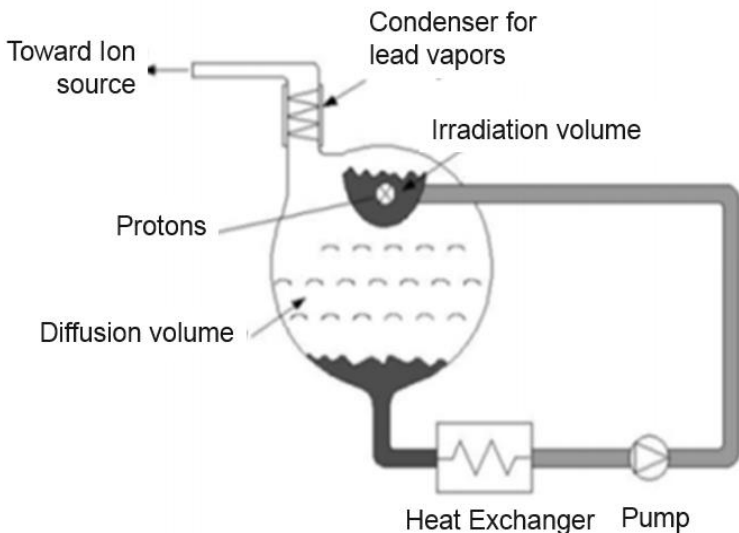


ENGINEERING
DEPARTMENT

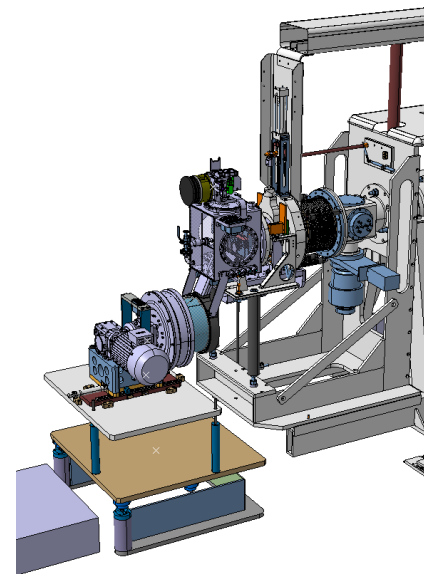
Today

- Much has been done
- Yet some items to solve before we go (safely) online !

- From Concept to engineered design



Schematic layout propose during the EURISOL Design Study phase



Current situation:

- Assembly on-going,
- Heating elements installed & tested on sub assembly I,
- Ion source installed,
- Pump manufactured: modification required (cavitation occurred before the required P-Q)
- On-line pushed to 2017

LIEBE ion source sub assembly with heating elements

Thick target production at 1.4 GeV - S. Ahiri

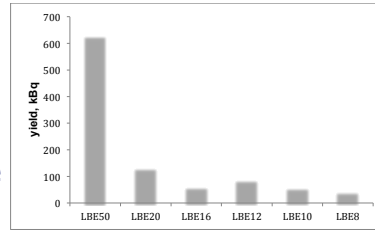
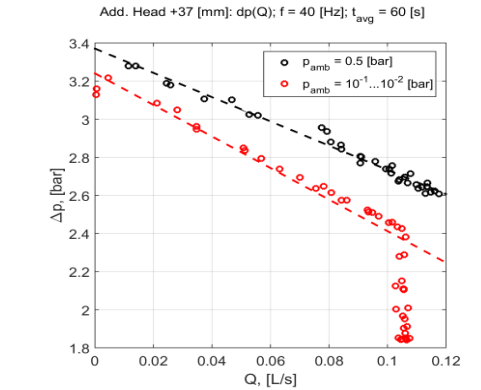
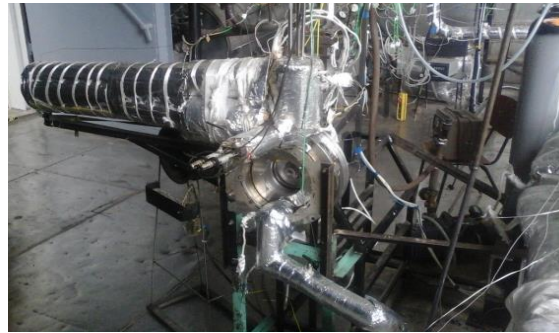


Fig 1: yield of ²⁰⁹At with varying lengths of LBE target



LIEBE pump test @ PUL August 2016 %P=f(Q)

LIEBE pump test @ PUL August 2016

Croutesy M. Delonca

Tests with robot one

Front end modifications one



- Thanks to the participants and host.

<https://indico.cern.ch/event/622446/>



ENGINEERING
DEPARTMENT