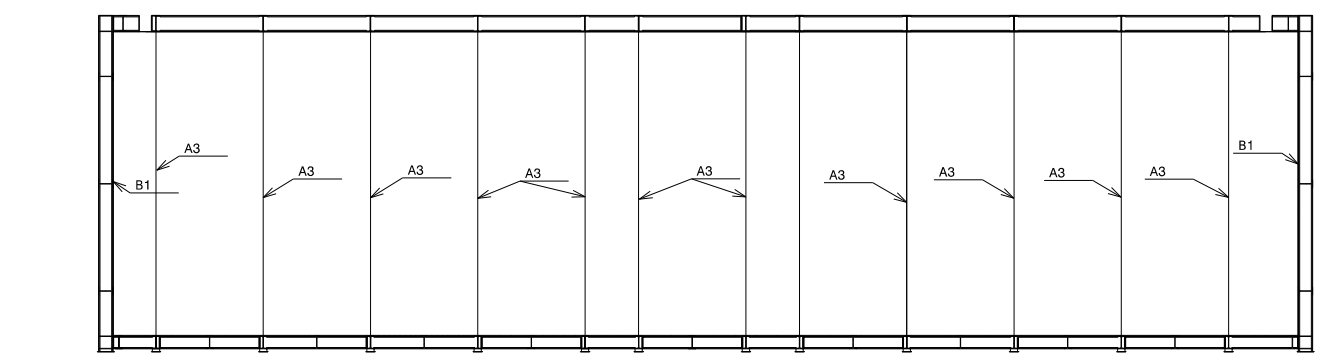
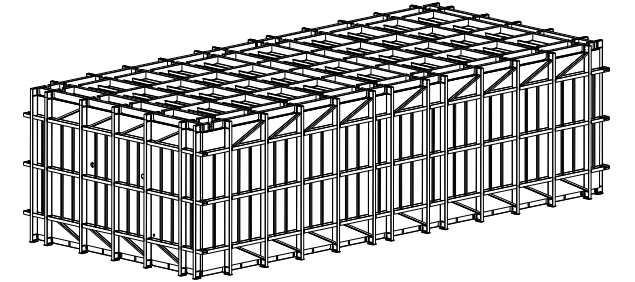
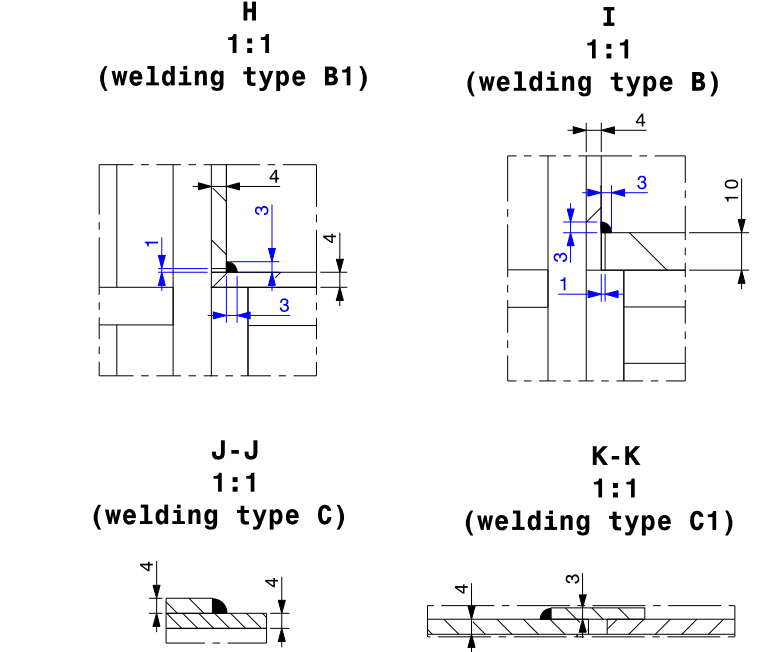
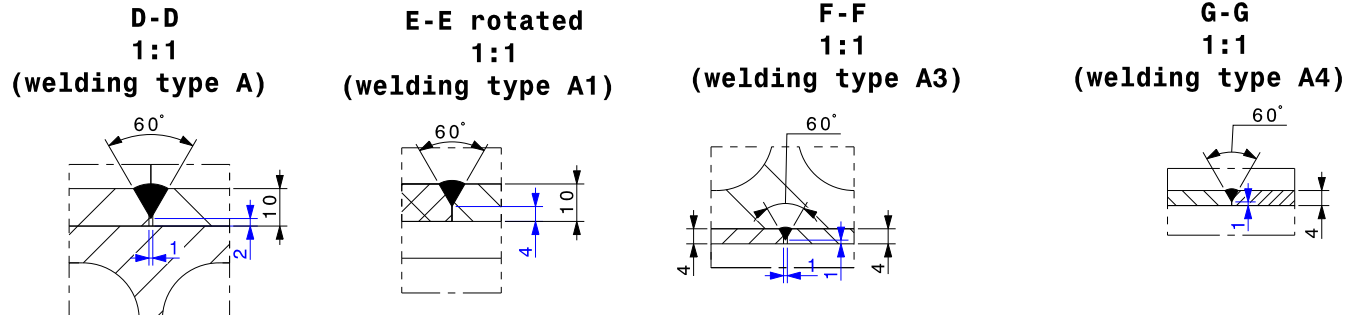


Top view rotated  
1:70



B-B  
1:70



\* Welding to be machined on 20 mm length on the free side.

DESIGN: RUSSIAN STANDARDS  
 DRAWING: ISO STANDARDS  
 ACCORDING TO ISO STANDARDS  
 PROJECTION  
 ORGANIZATION: ICS  
 EUROPEAN ORGANIZATION FOR NUCLEAR RESEARCH  
 CE-STATUS: NOT FOR RELEASE  
 THIS DRAWING IS NOT TO BE USED FOR COMMERCIAL PURPOSES WITHOUT WRITTEN AUTHORIZATION

WA104 Cryostat		DRAWN	E. Seletskaya	2017-02-07
COMPLETE STRUCTURE BOLTED V6 WELDING ICARUS		SCALE	1:1	
		APPROVED	CAD Document Number ST0761559_03	
NON VALABLE POUR EXECUTION NOT VALID FOR EXECUTION		QAC	CEN104CR0077	
		REPLACES	SIZE IND. 1	