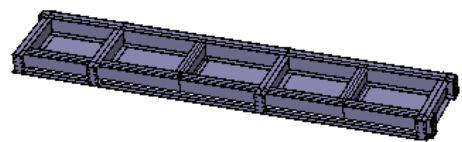
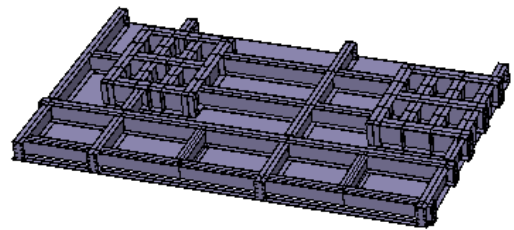
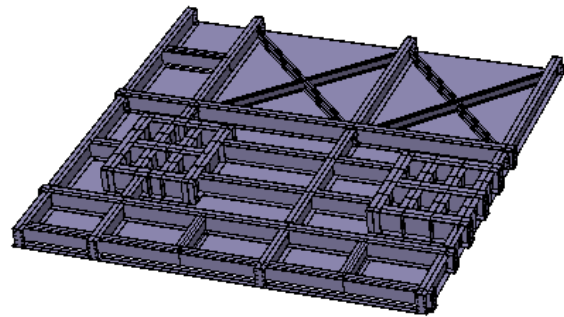


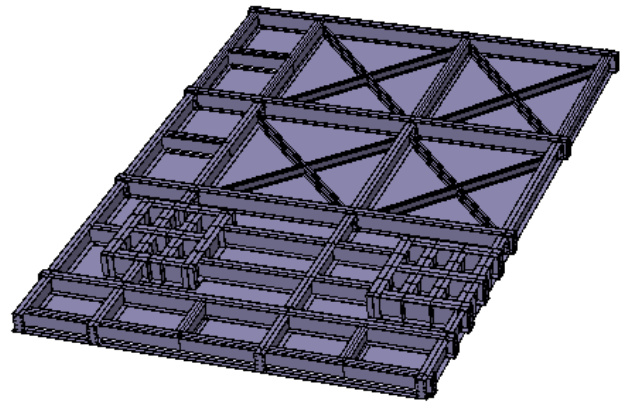
WARM VESSEL INSTALLATION REVIEW

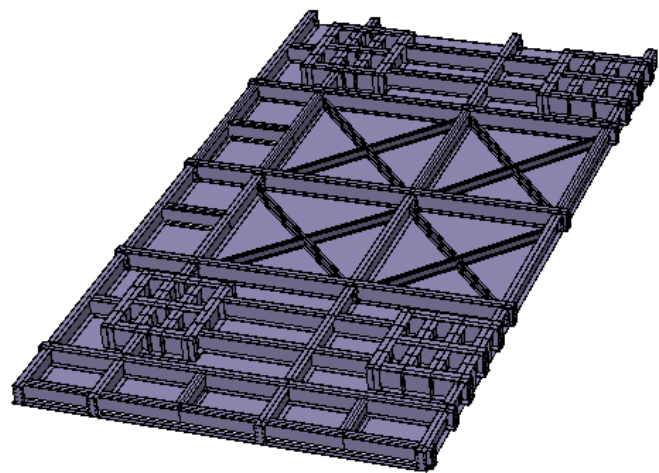
Installation scenario

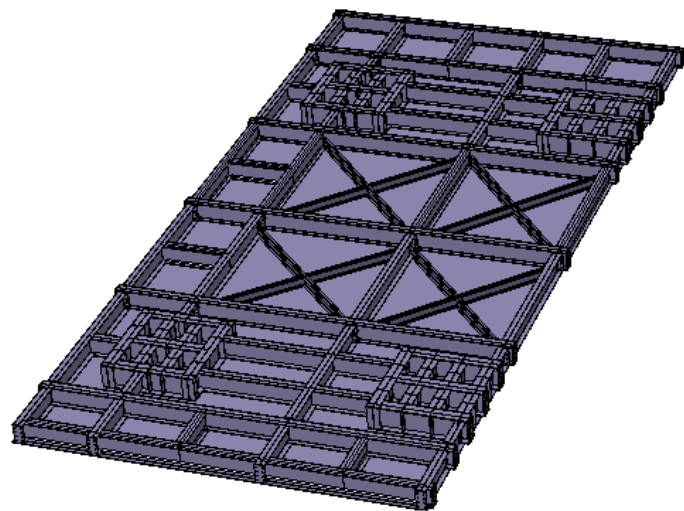


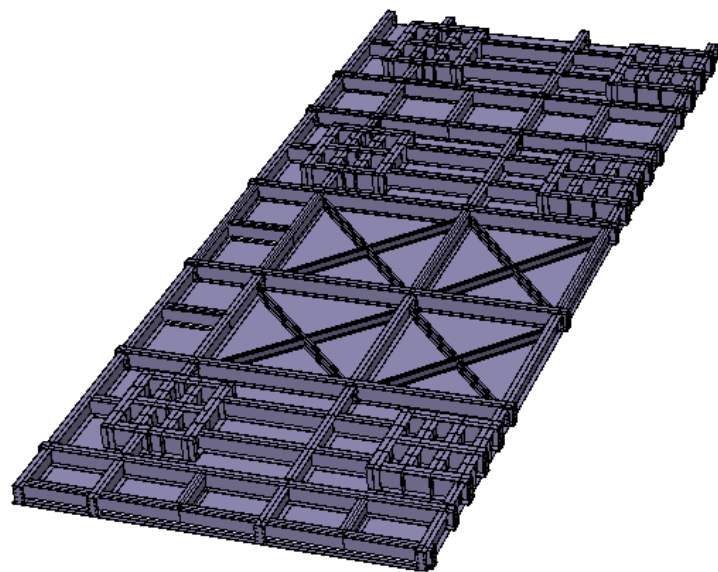


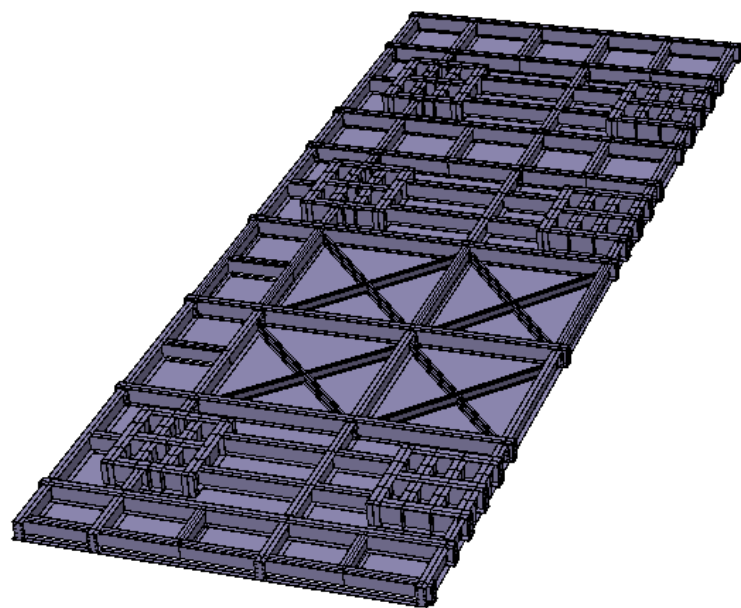


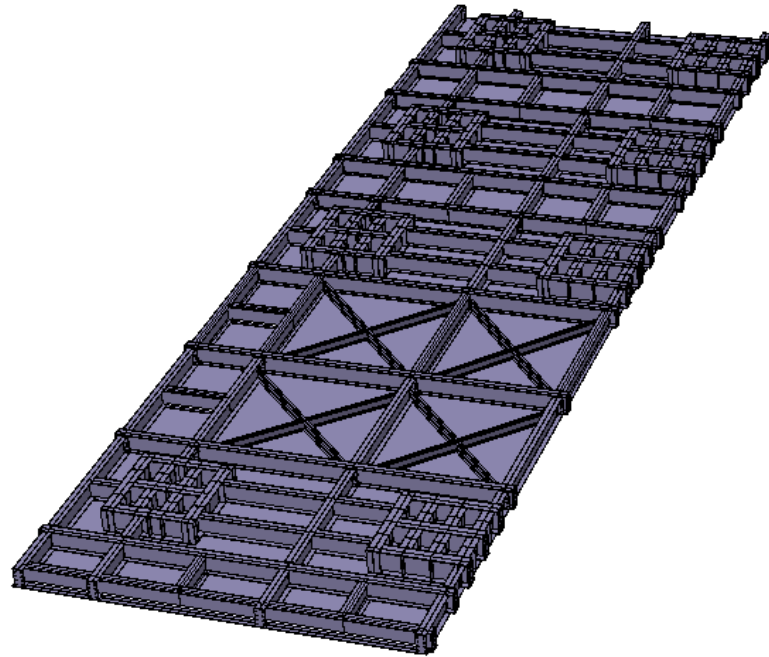


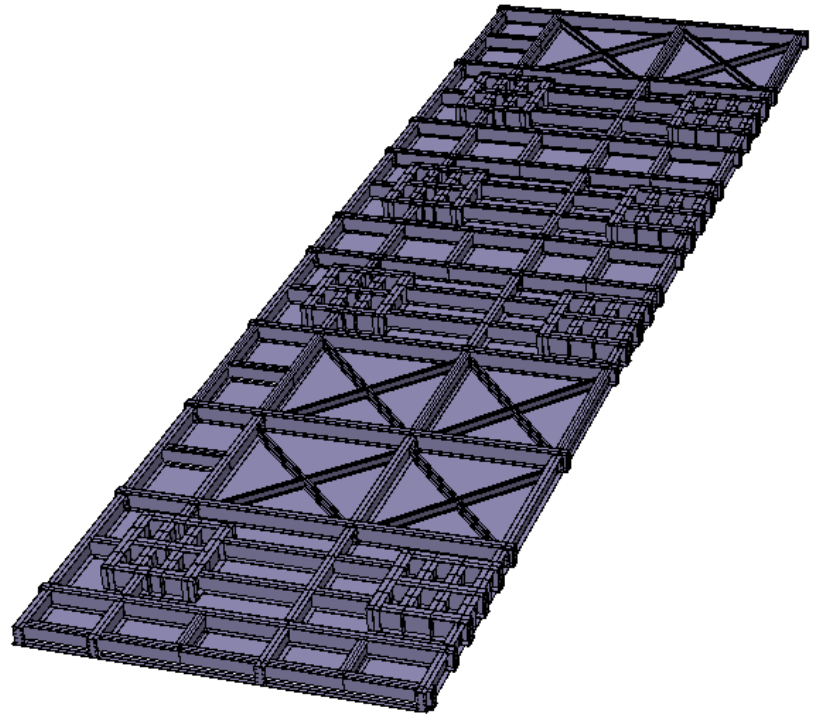


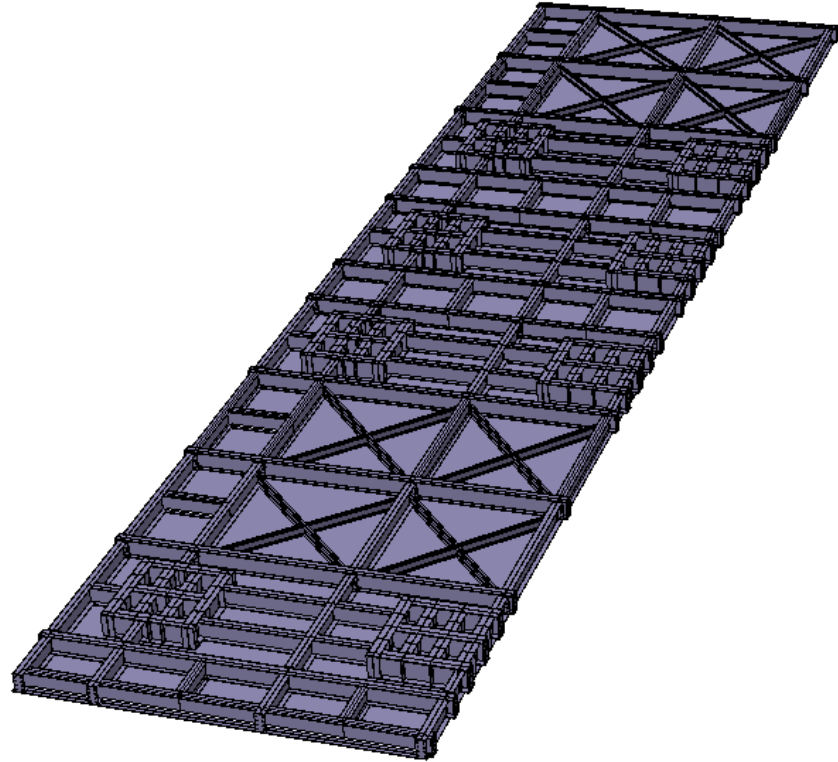


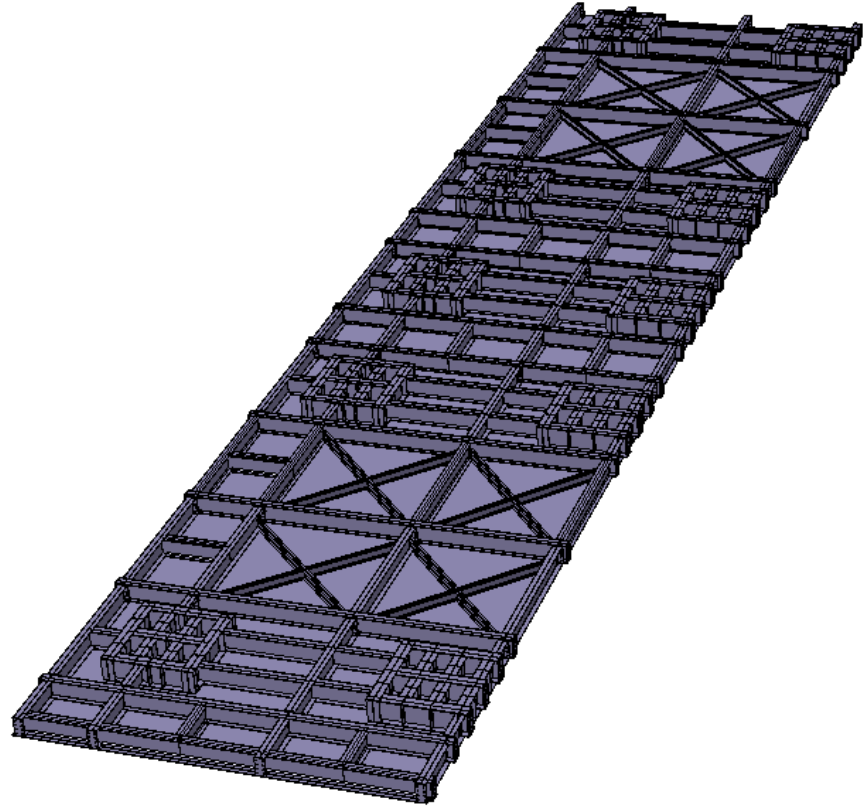


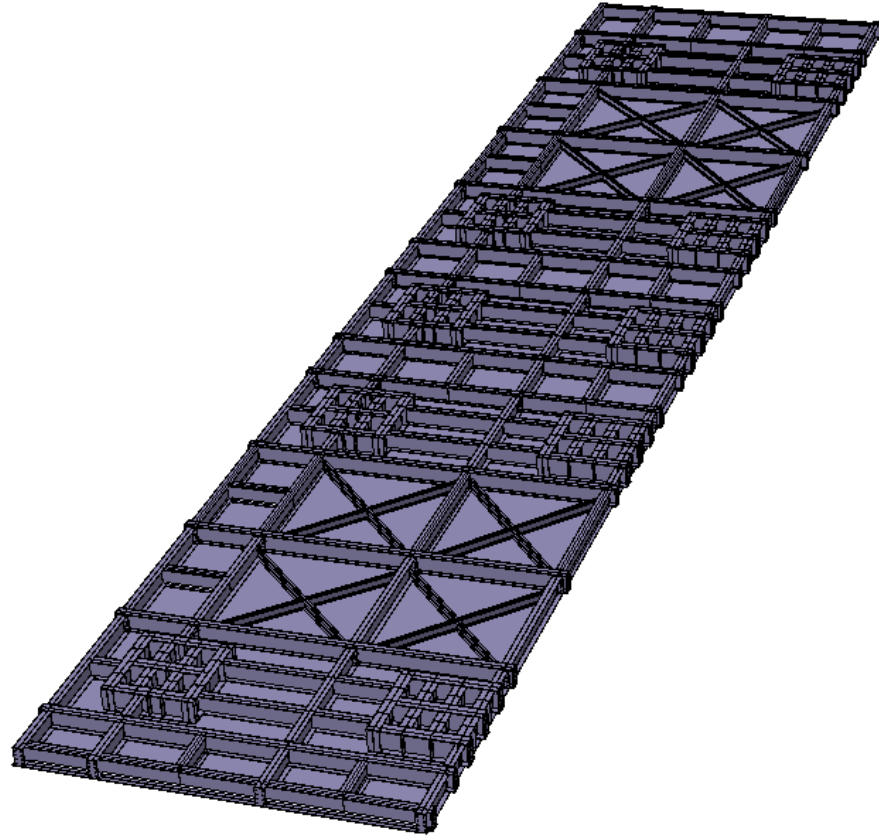


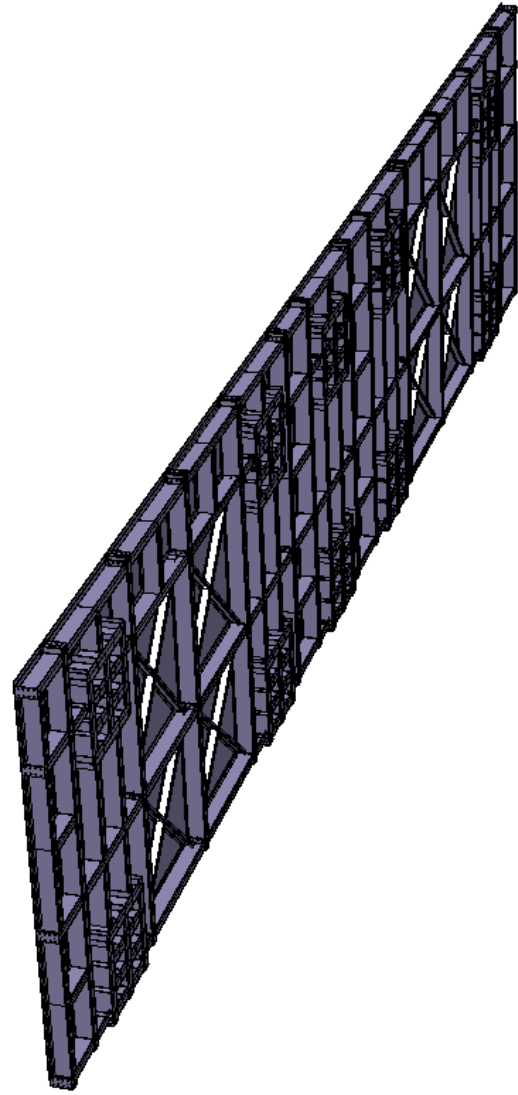




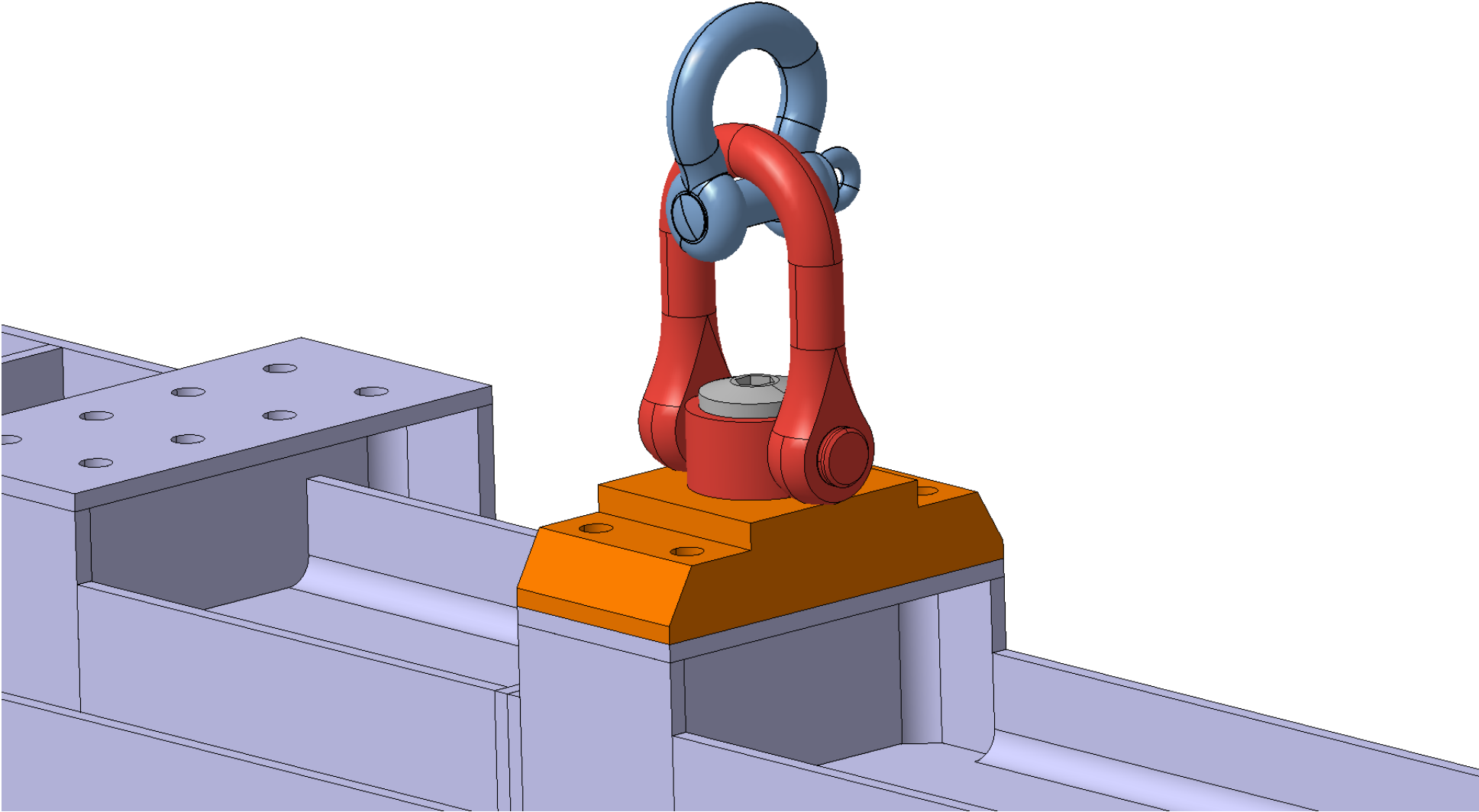




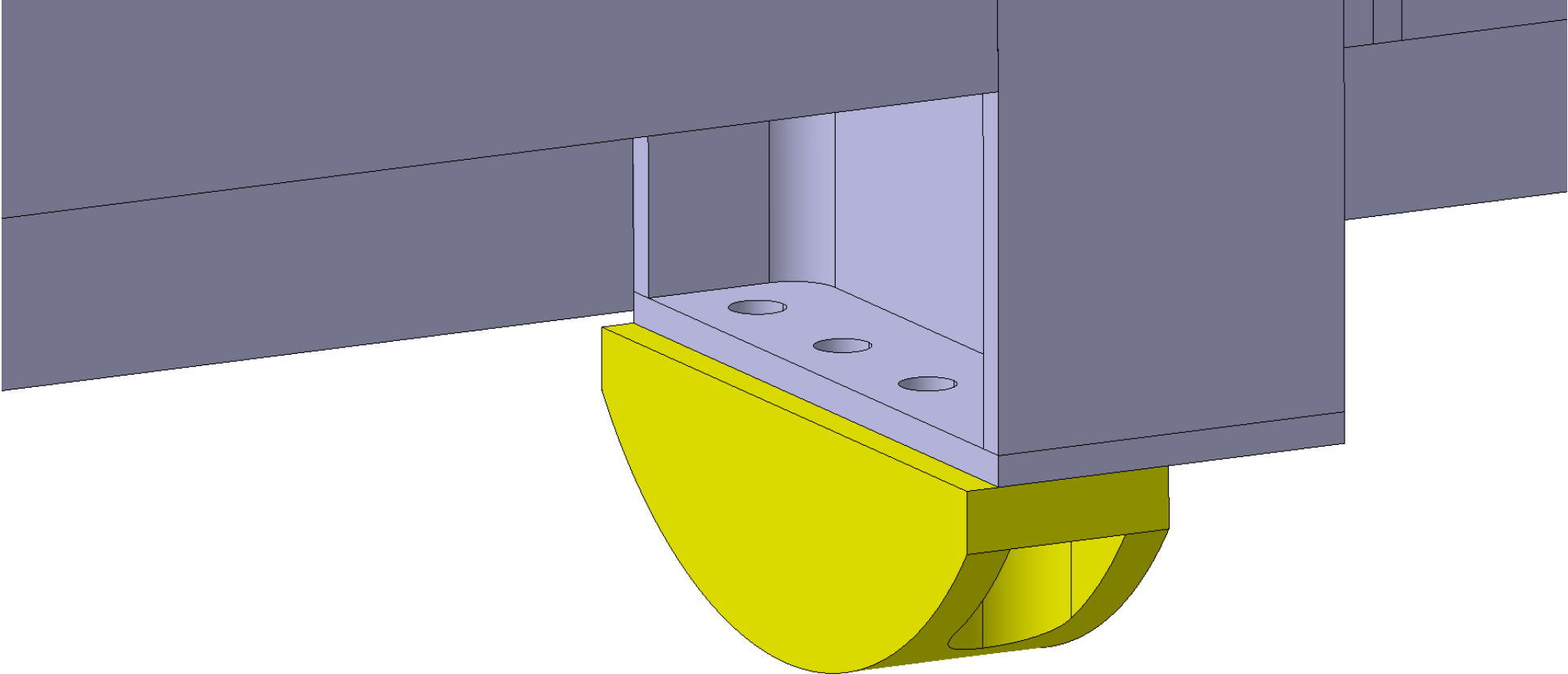




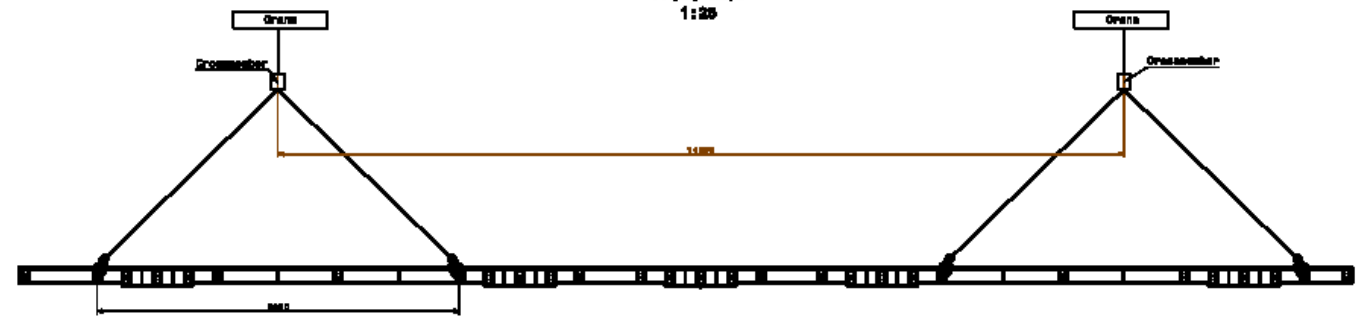
Drawing reference CEN104CR0069



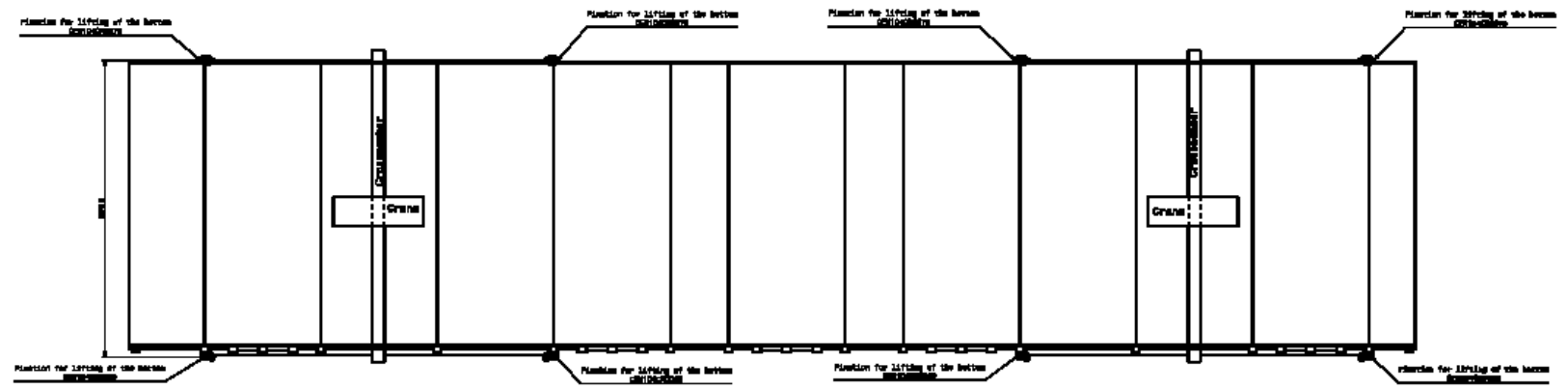
Drawing reference CEN104CR0074



Front view
1:20

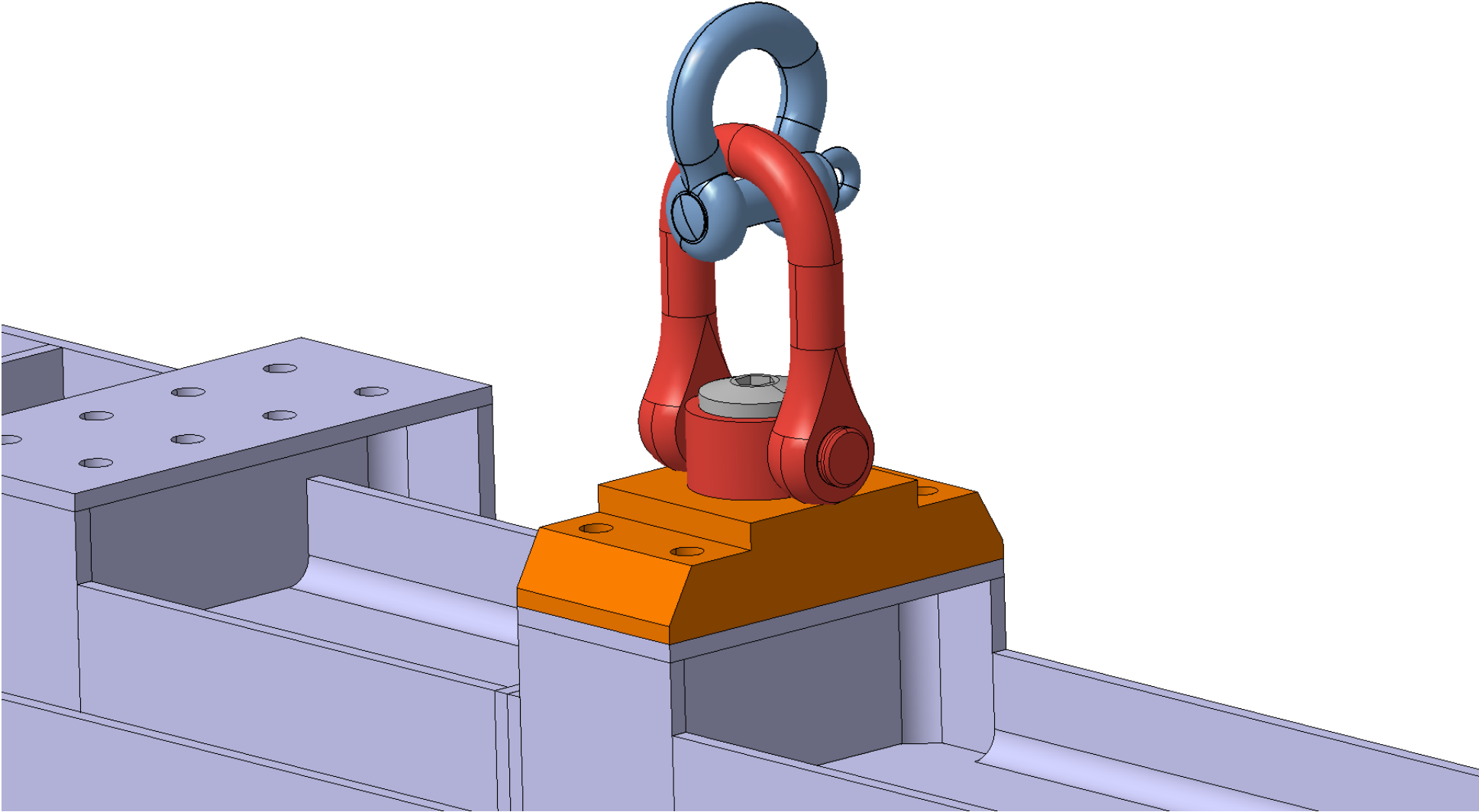


Top view
1:20

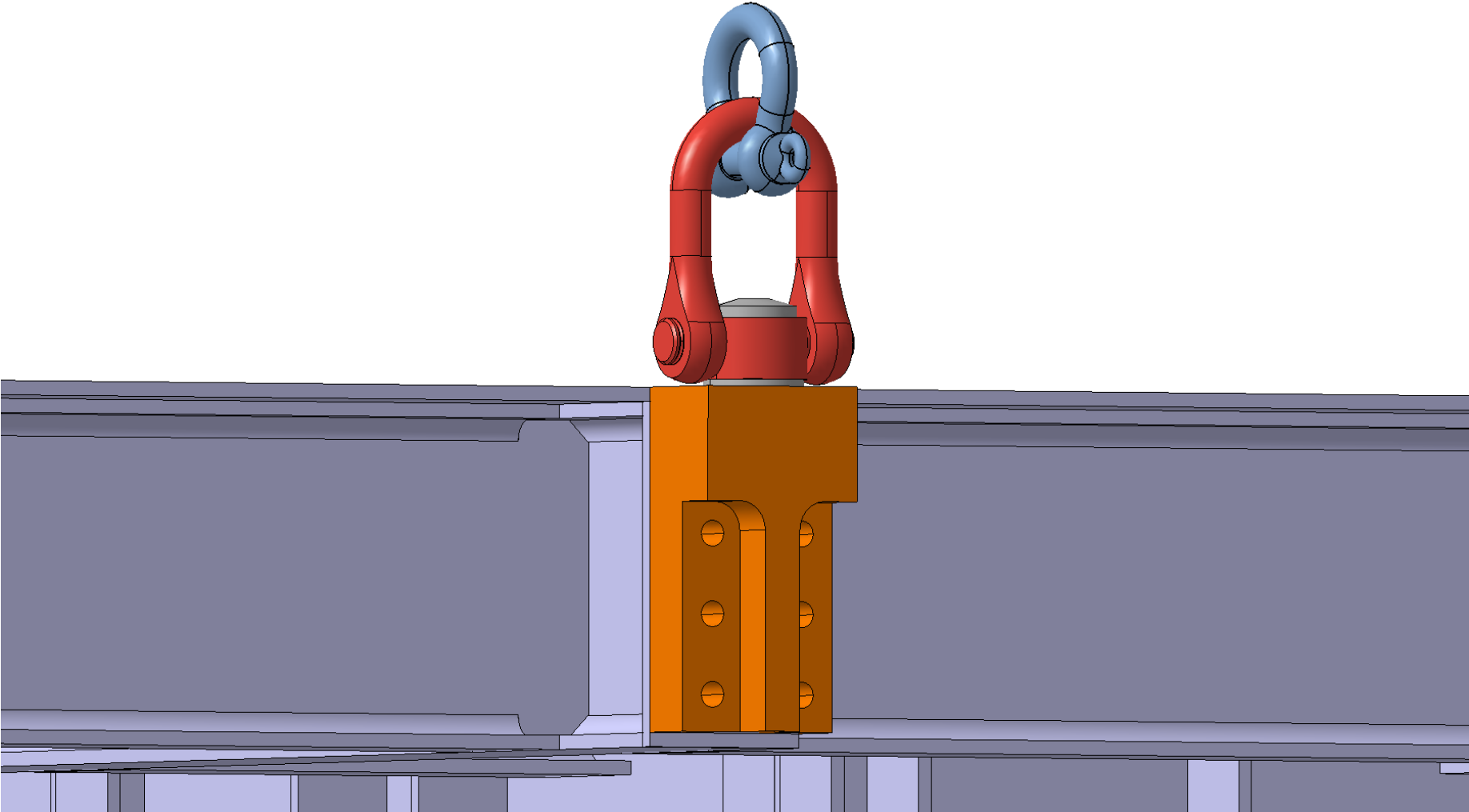


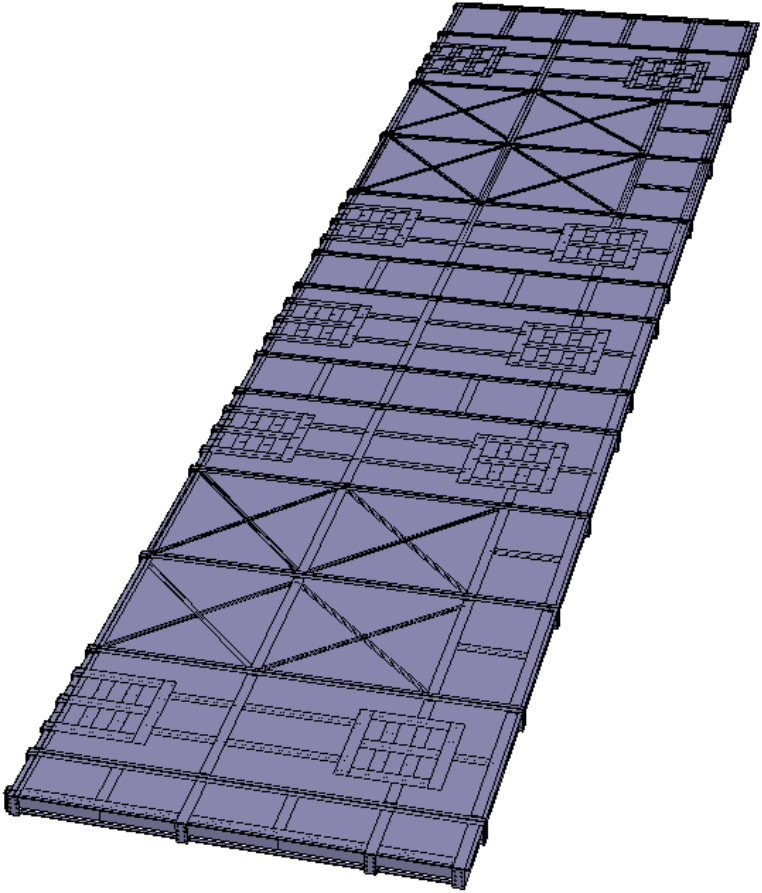
DATE	11.11.2011
BY	EDITH SCHNEIDER
CHECKED	
SCALE	1:20
PROJECT	CRANE INSTALLATION
NO.	111
REV.	

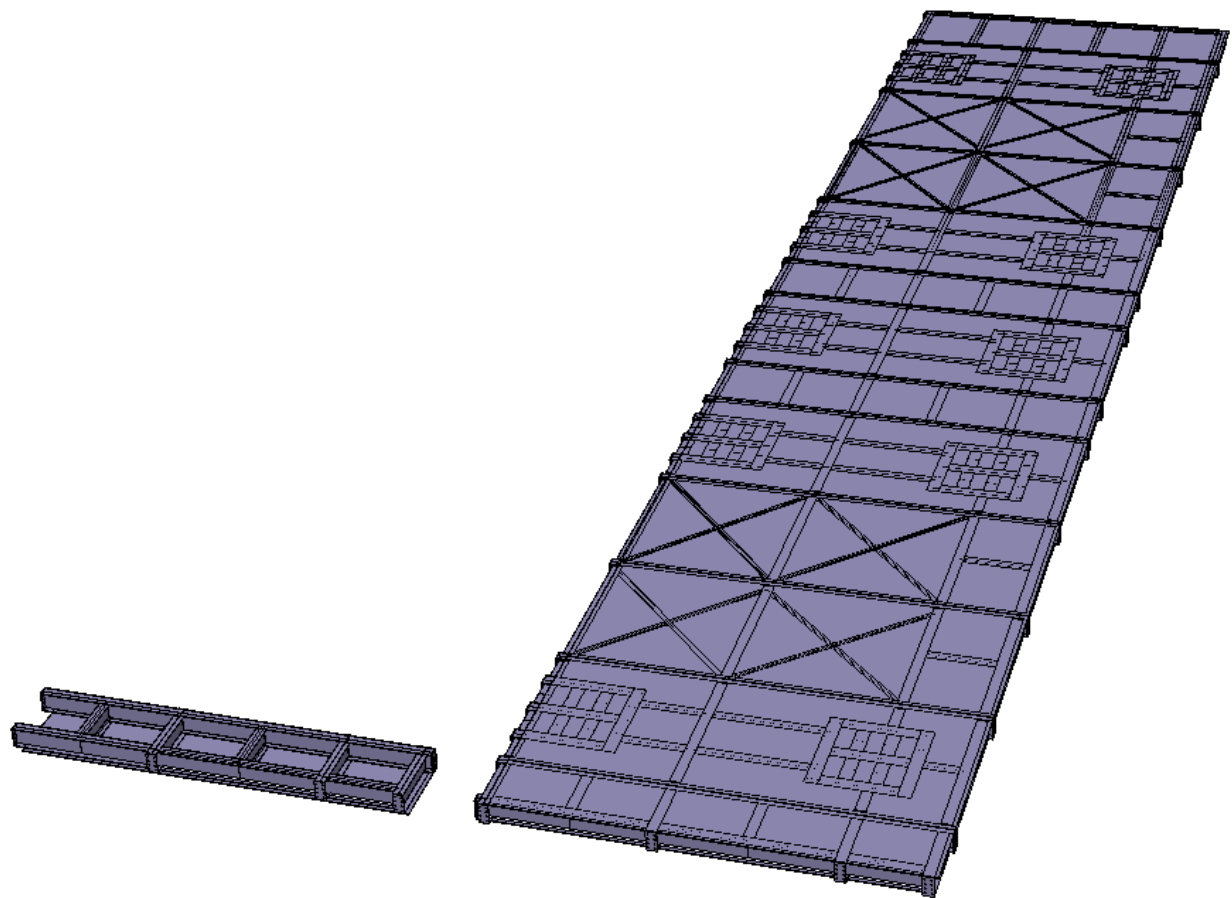
Drawing reference CEN104CR0069

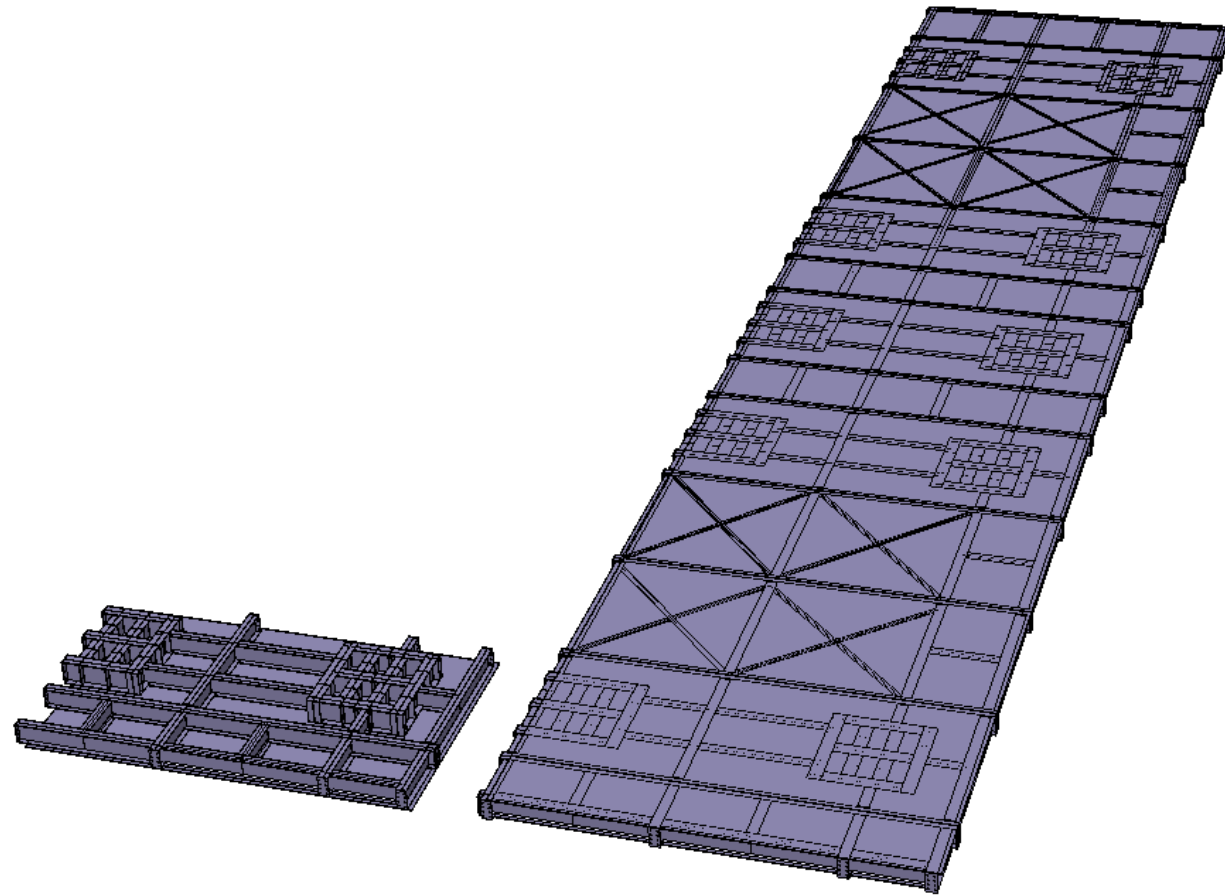


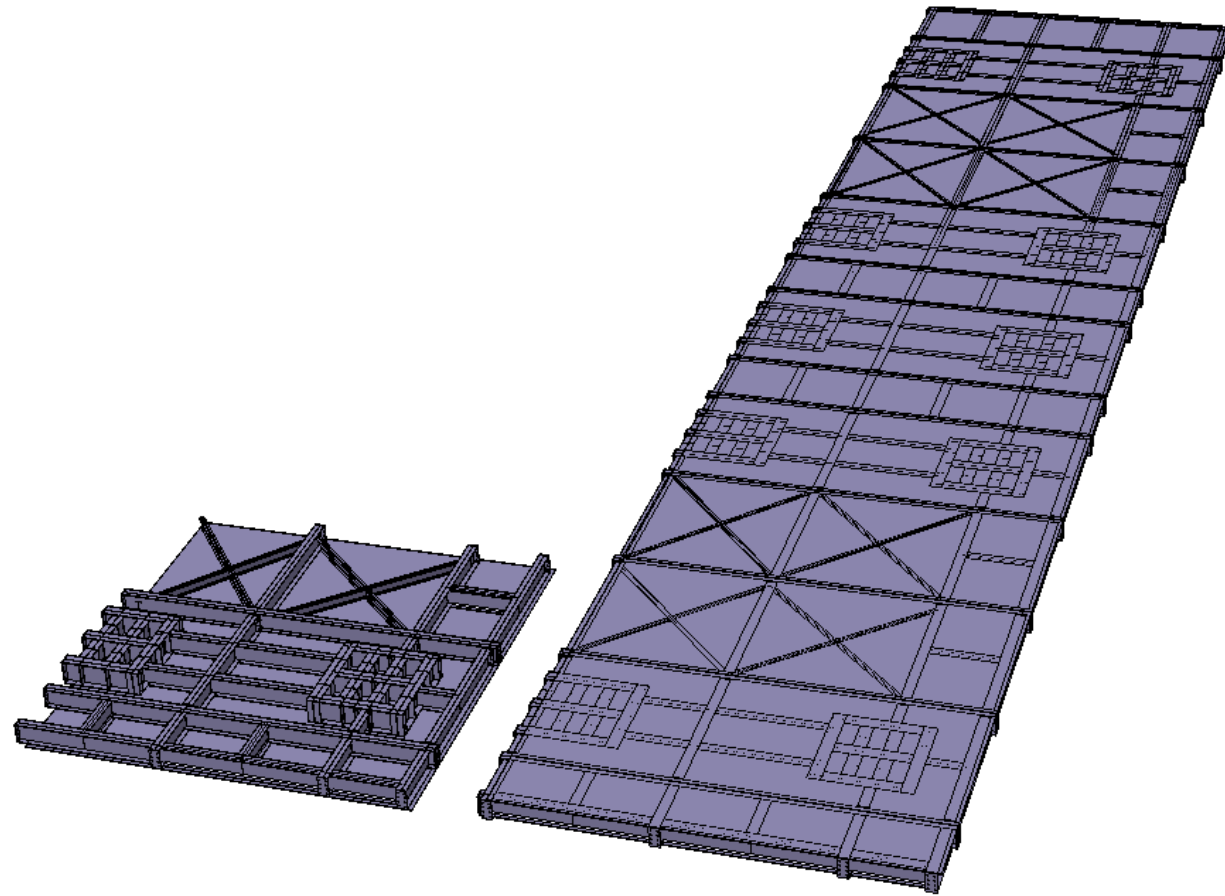
Drawing reference CEN104CR0075

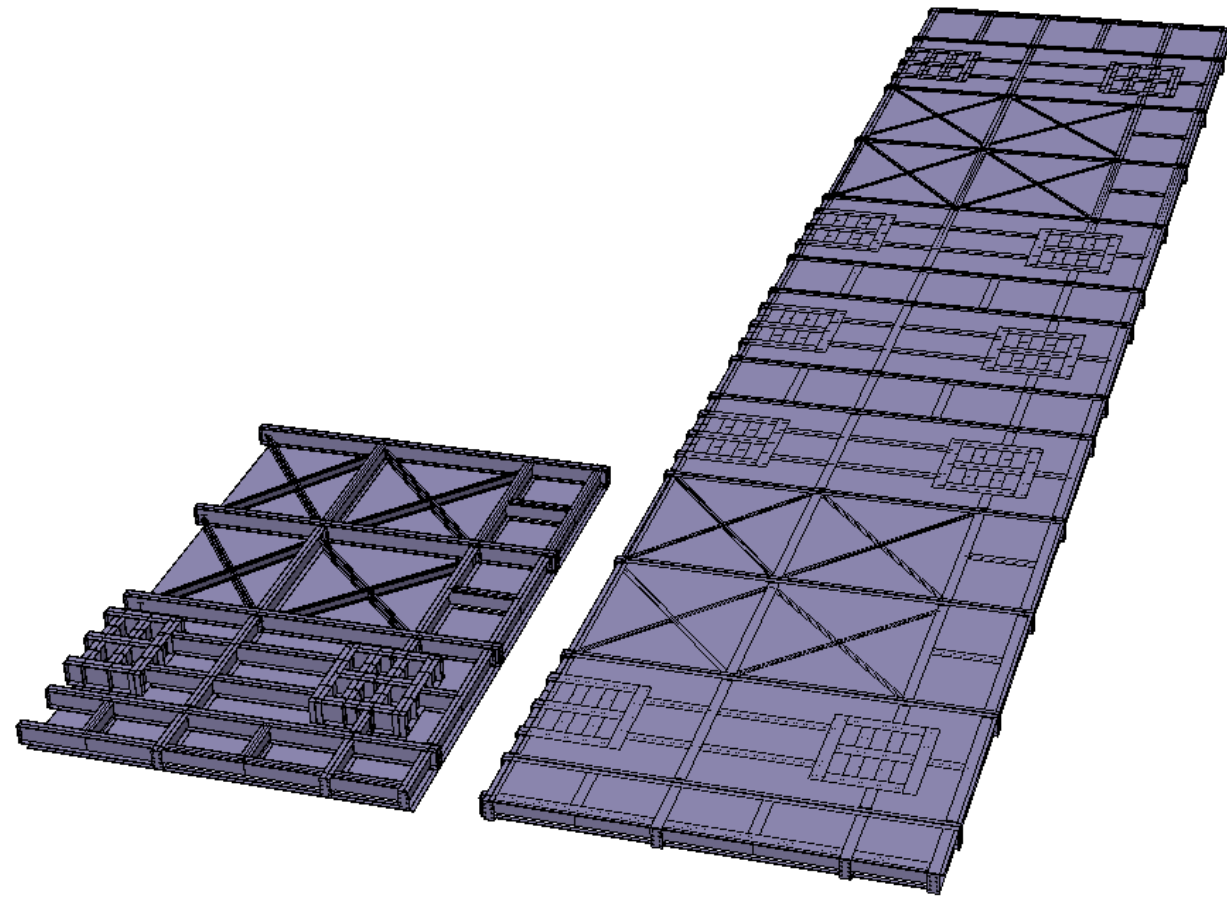


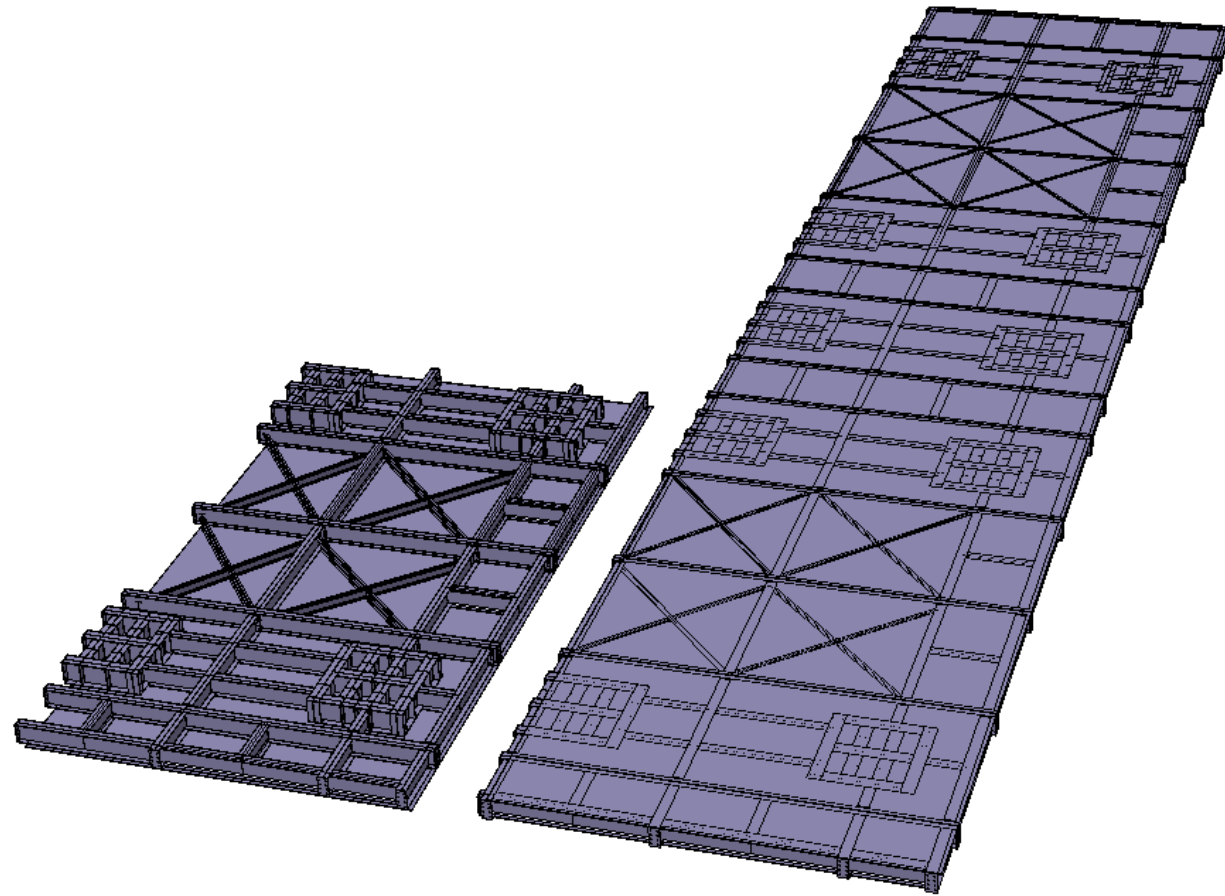


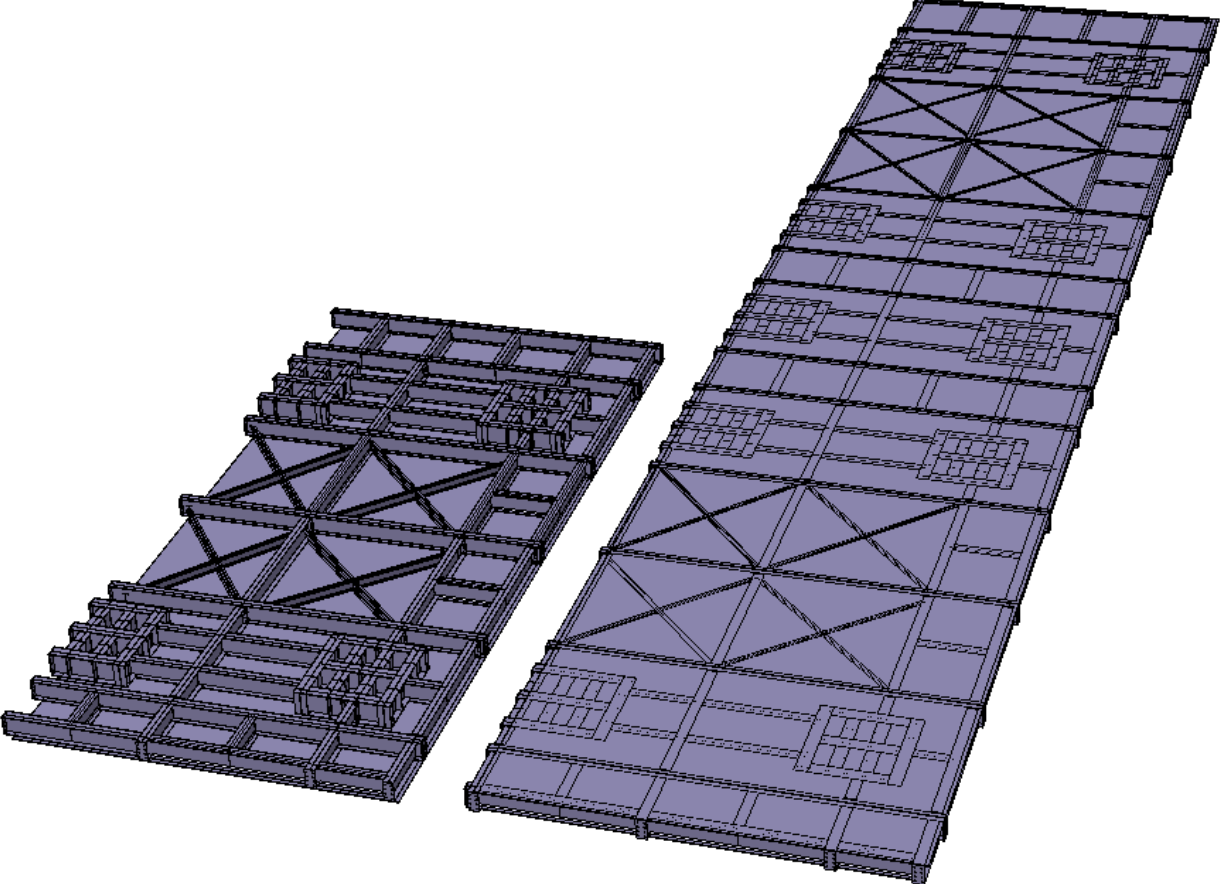


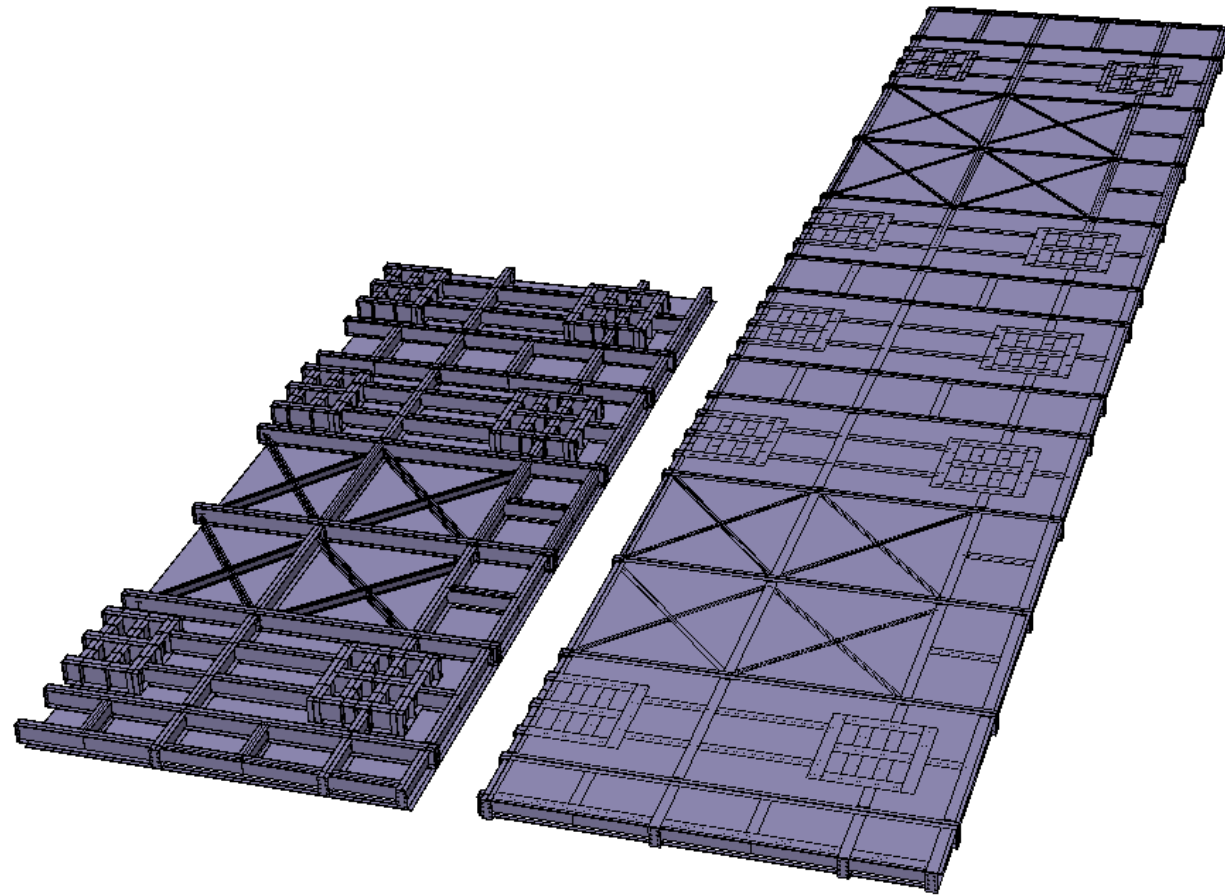


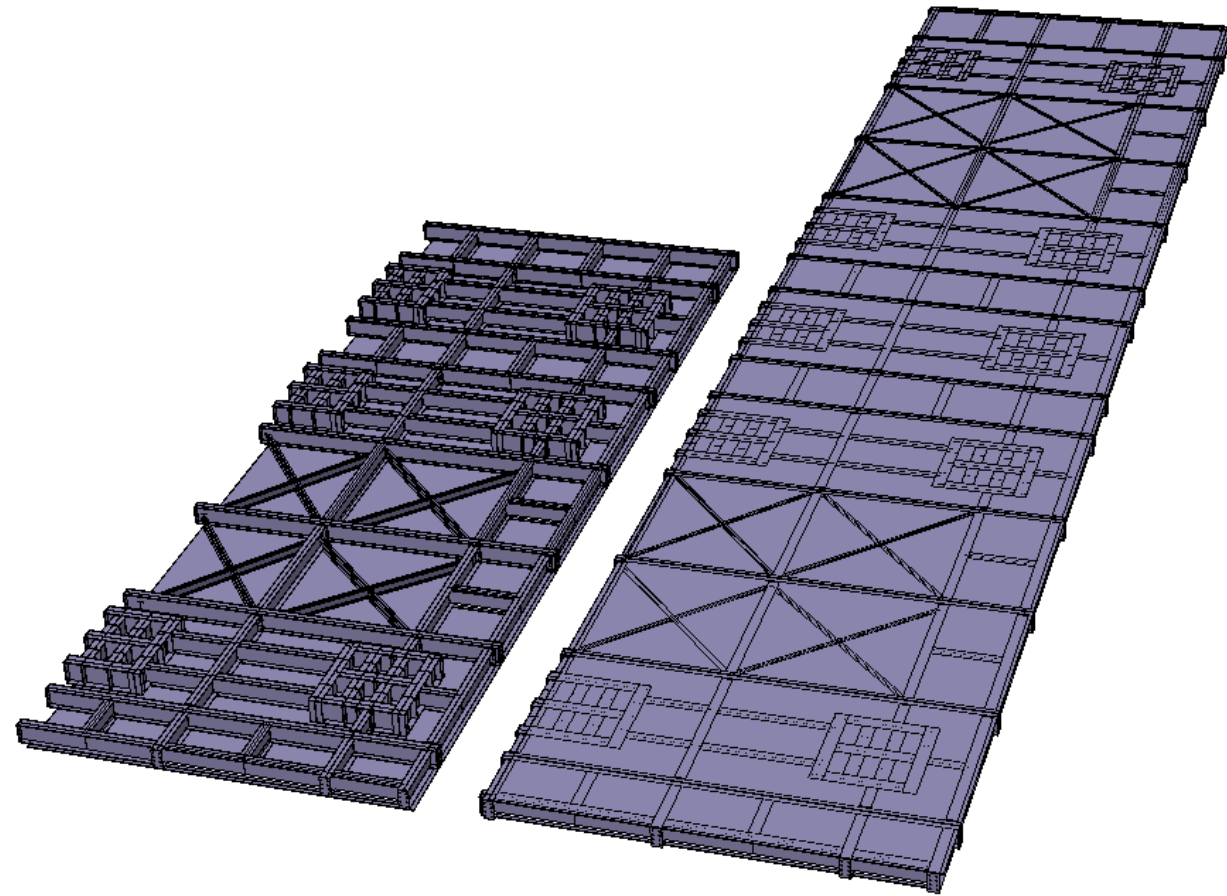


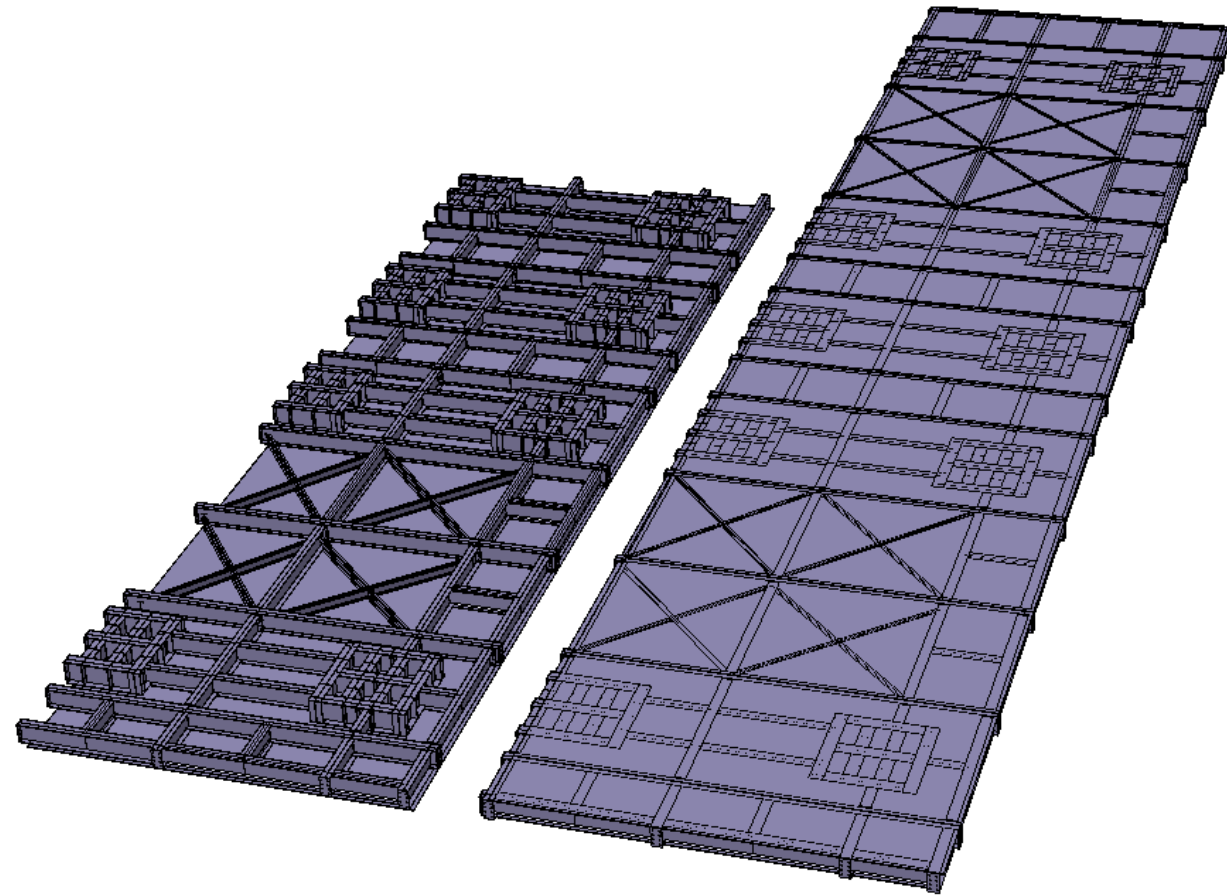


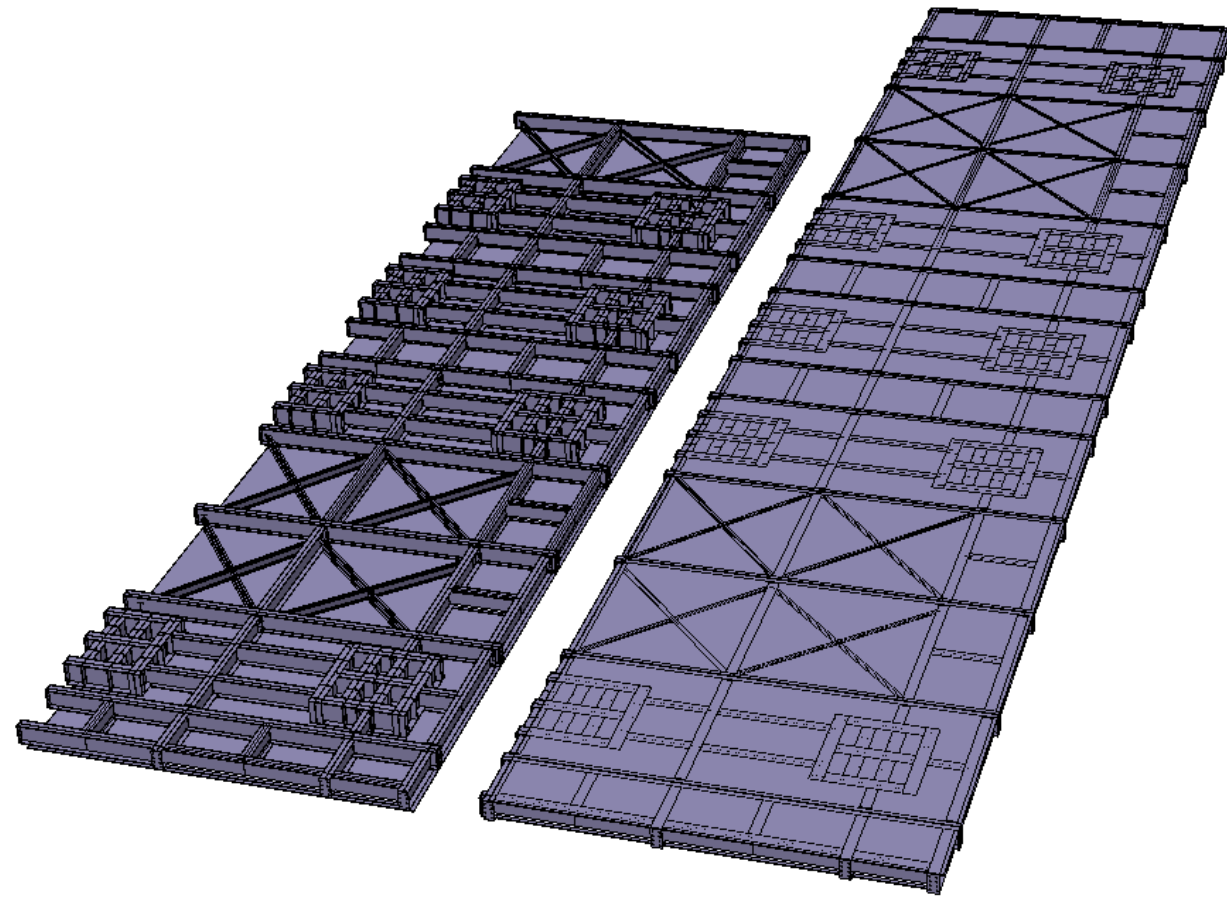


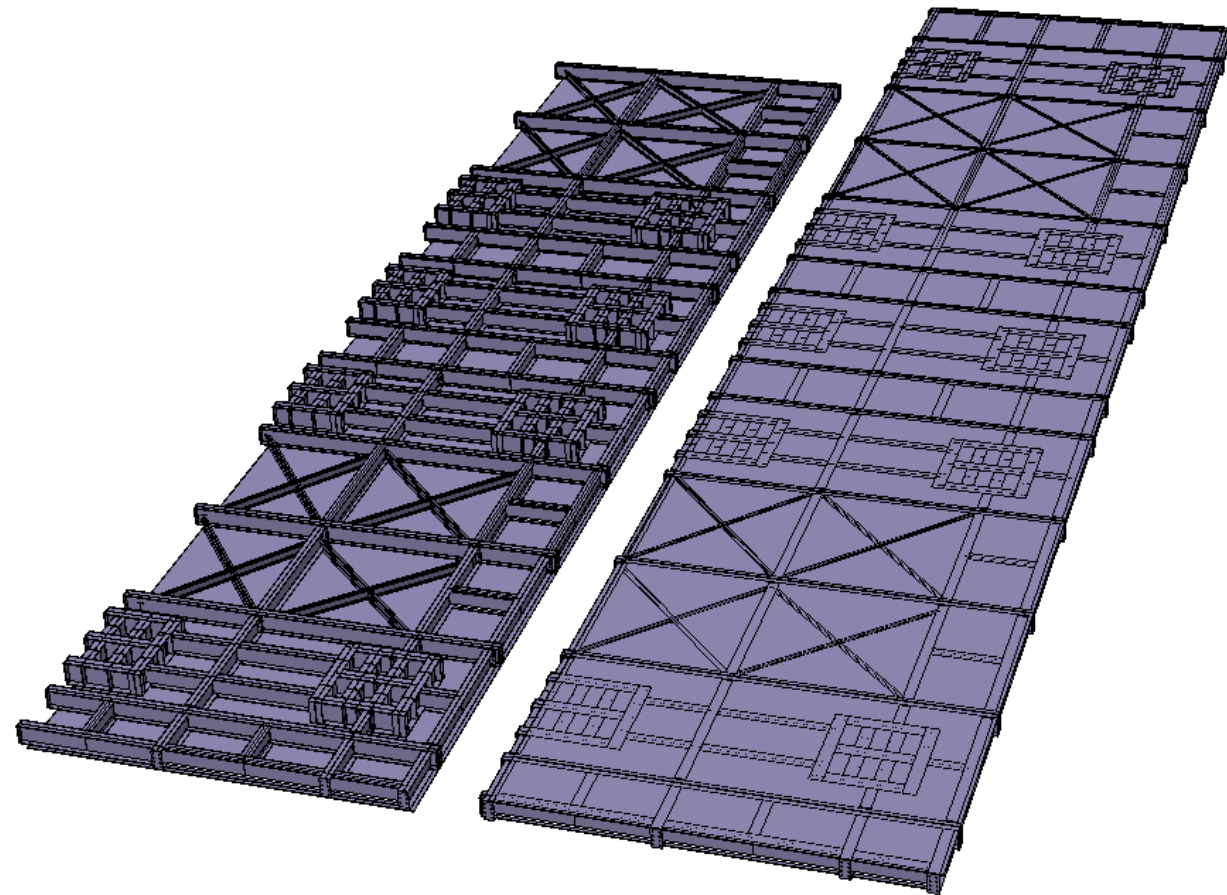


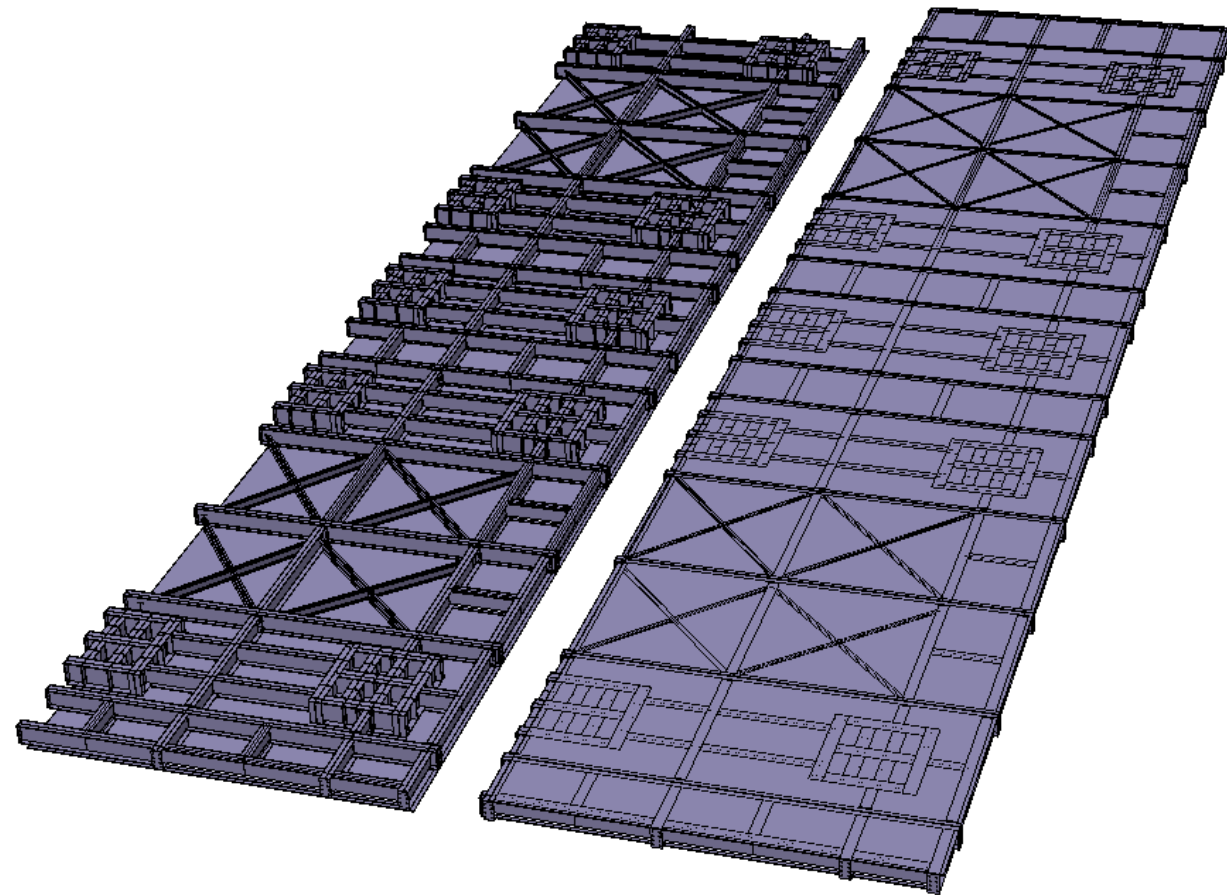


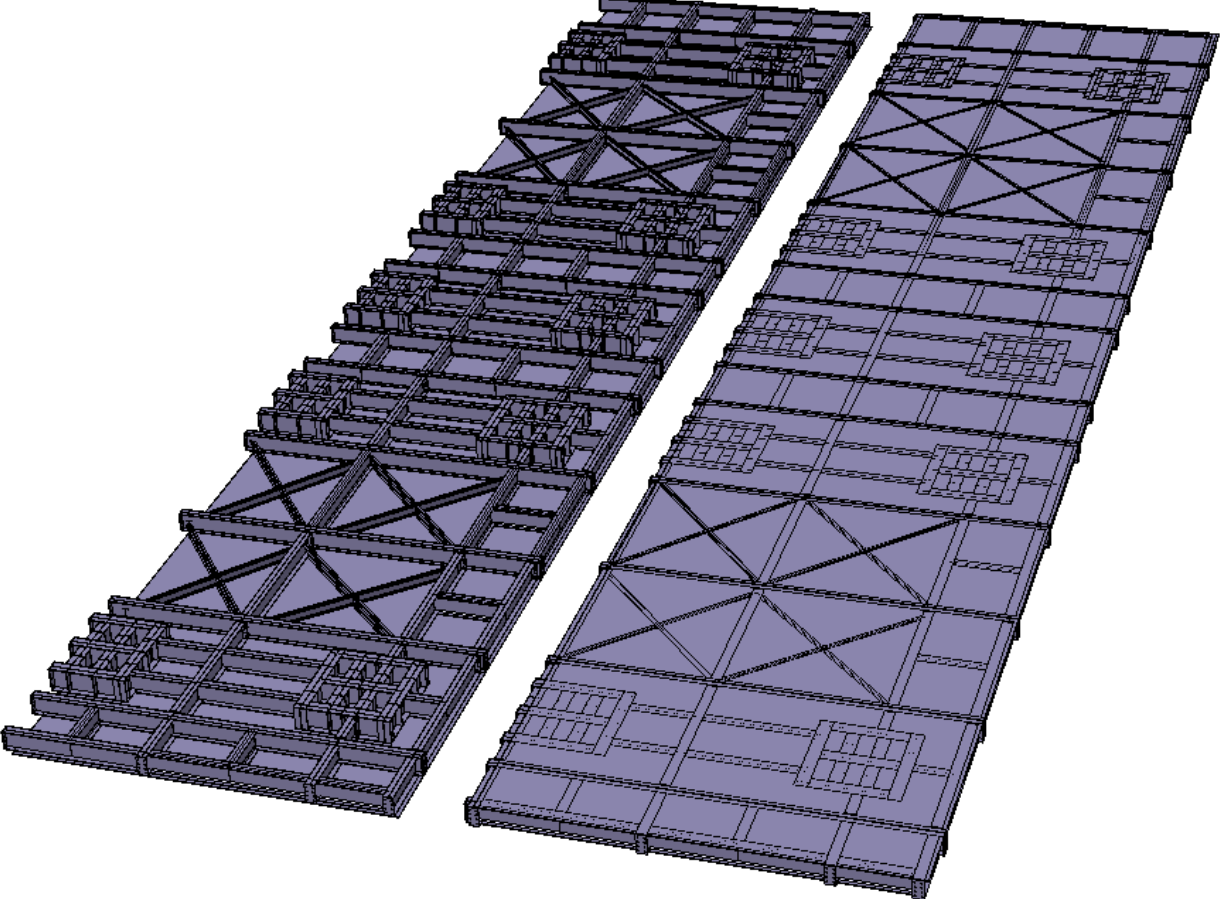


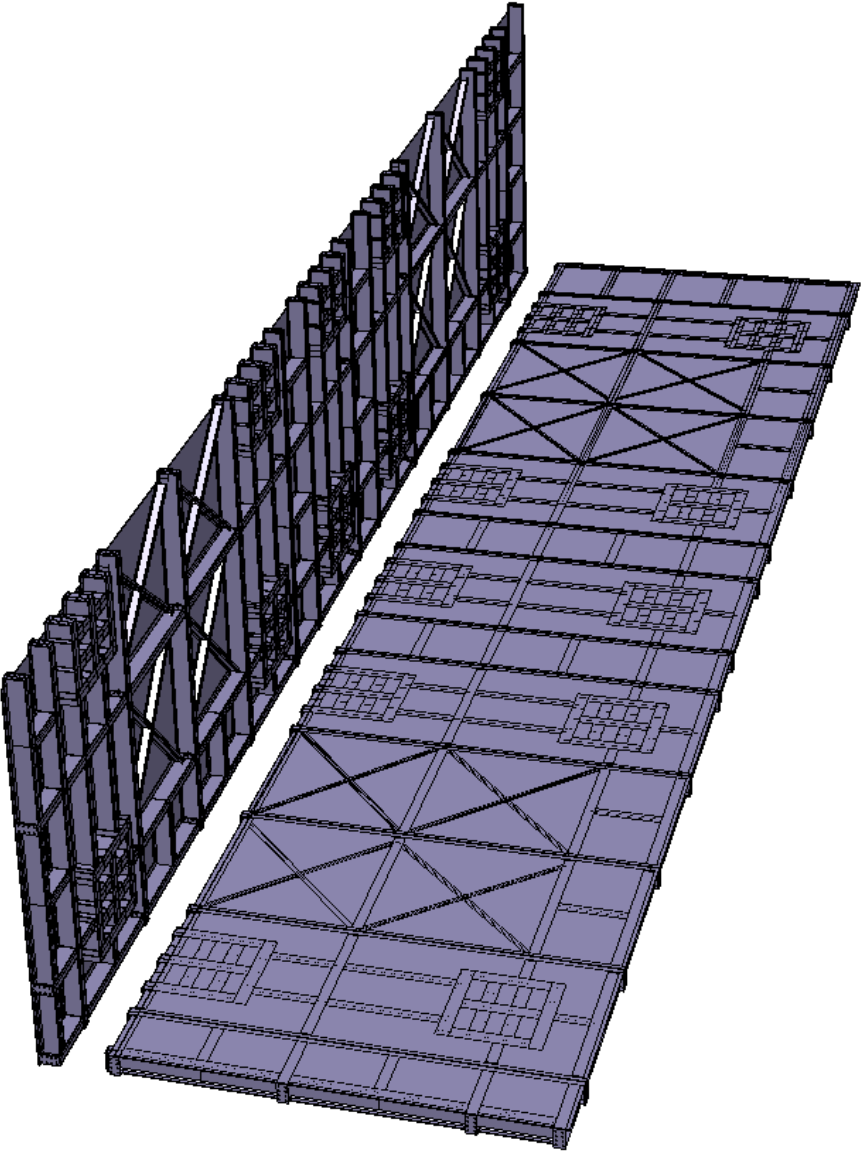




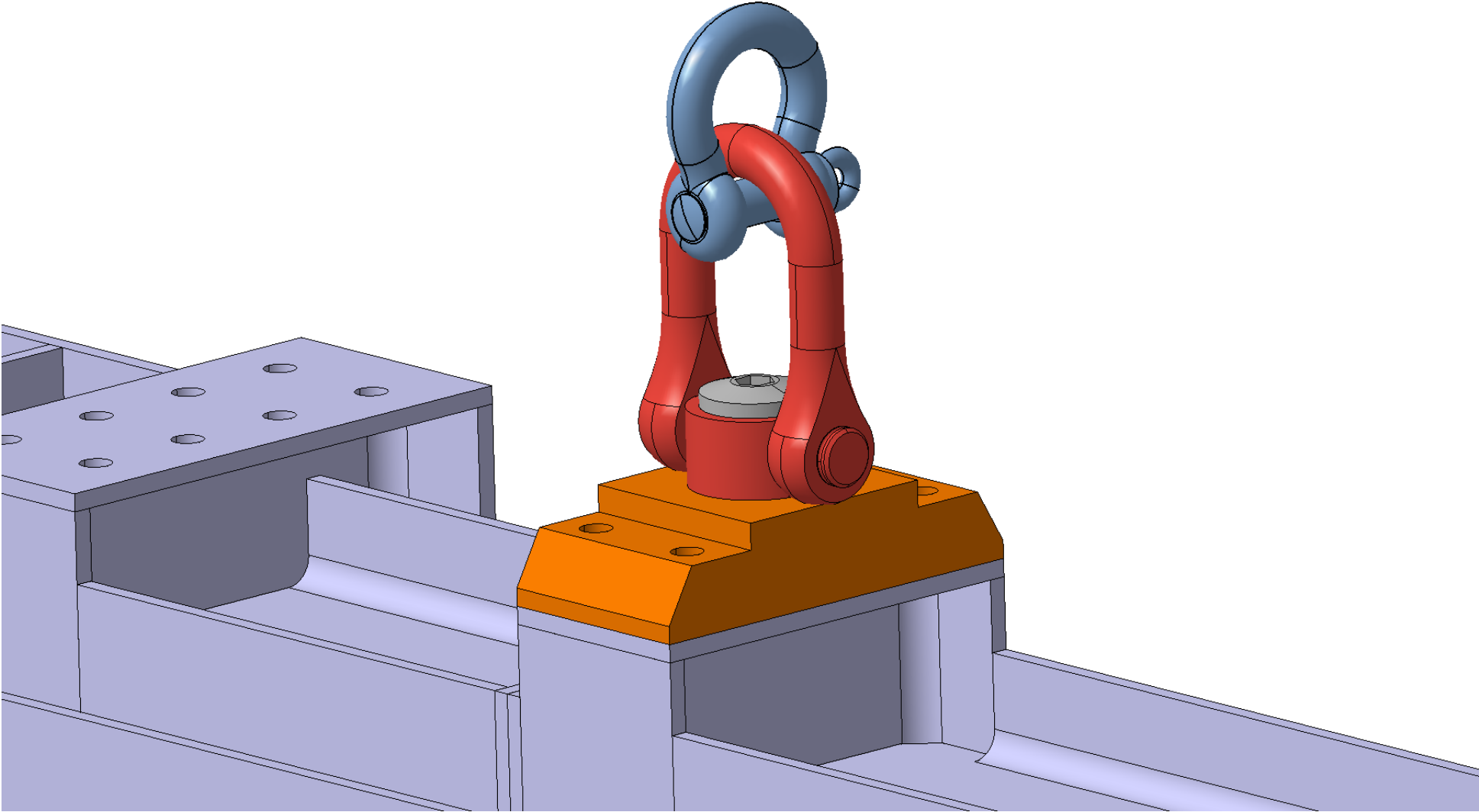




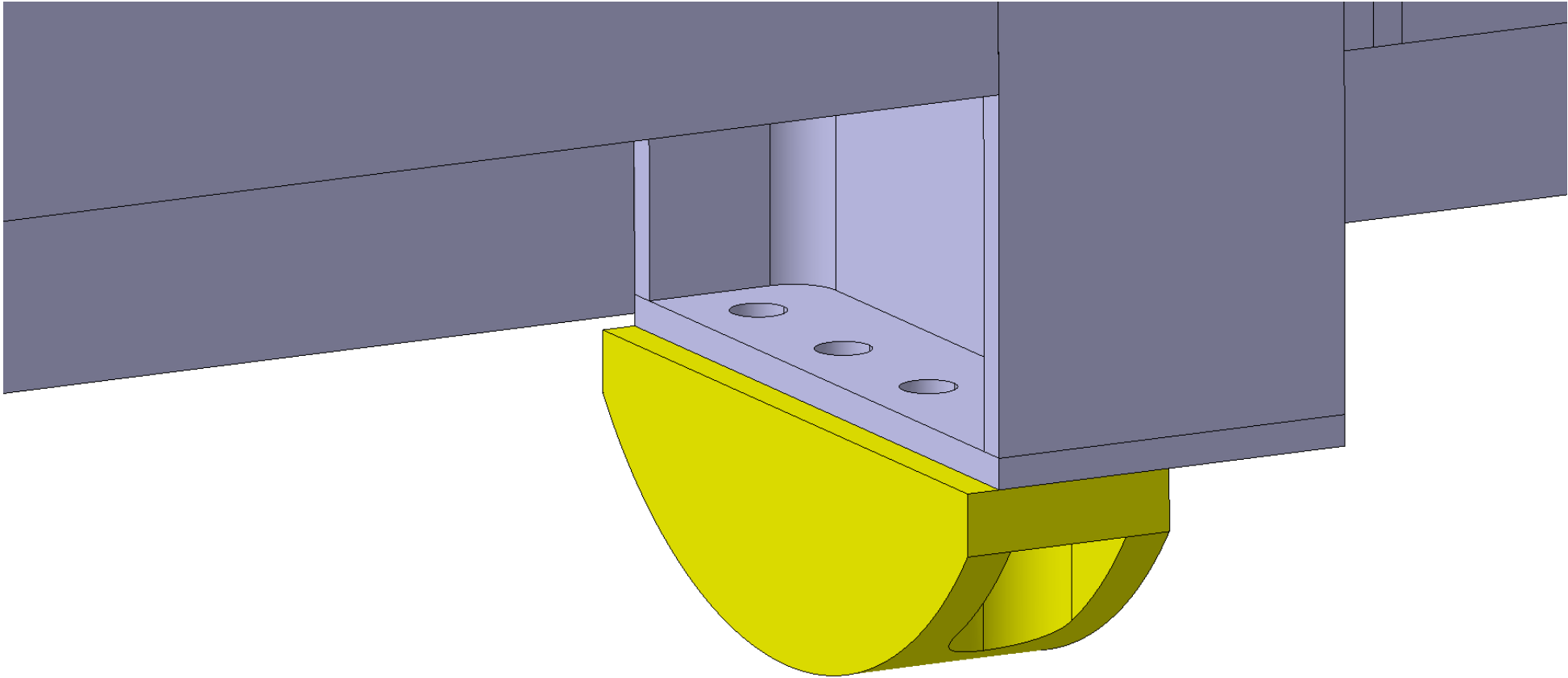


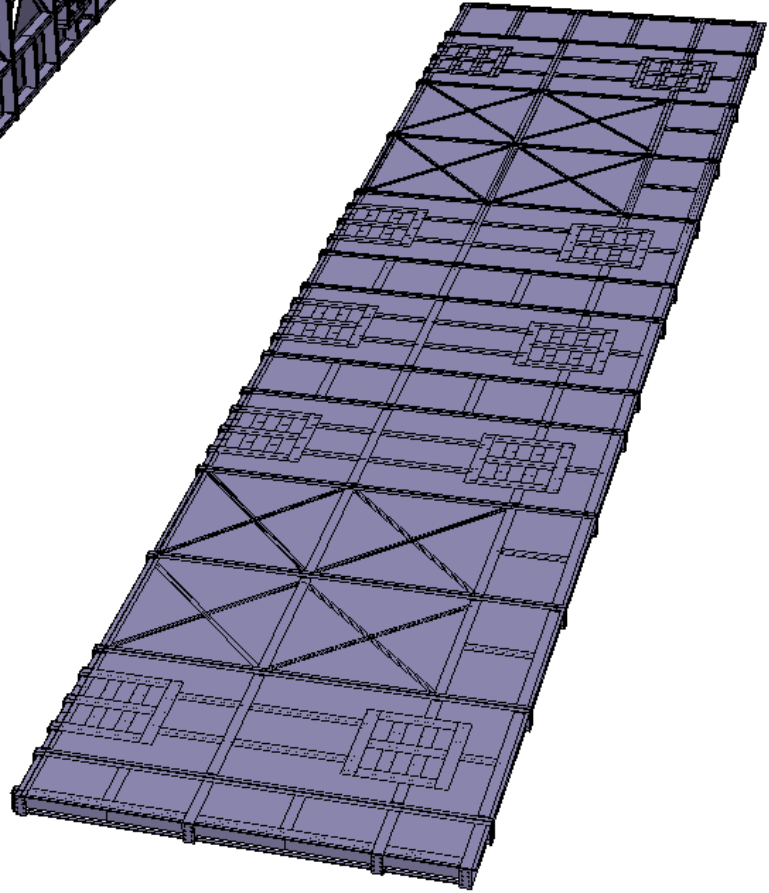
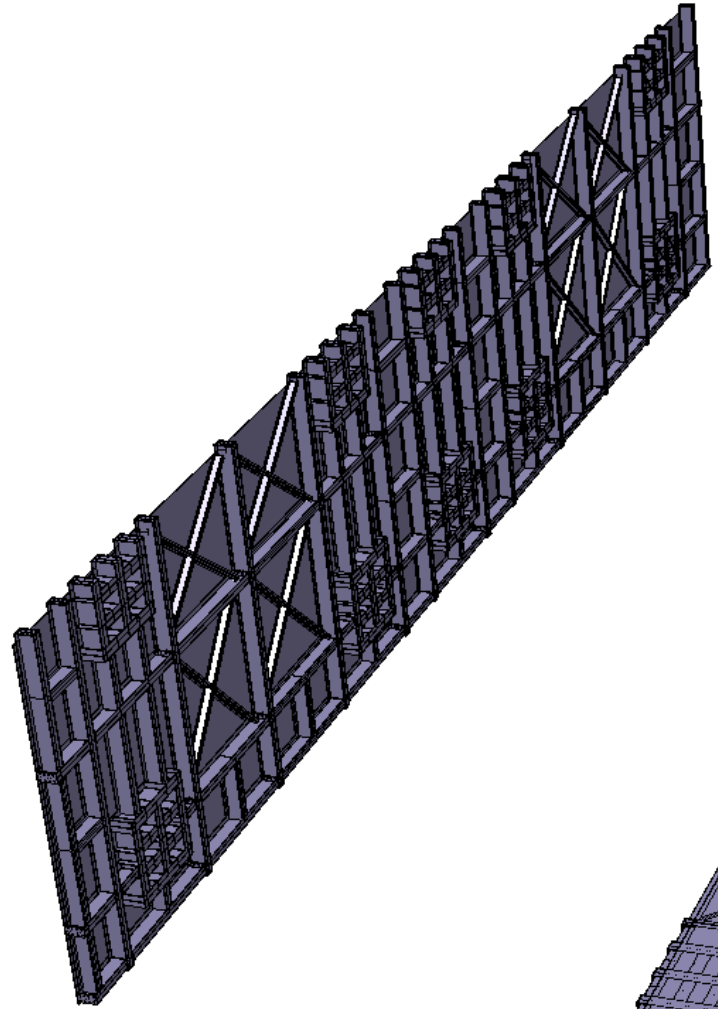


Drawing reference CEN104CR0069

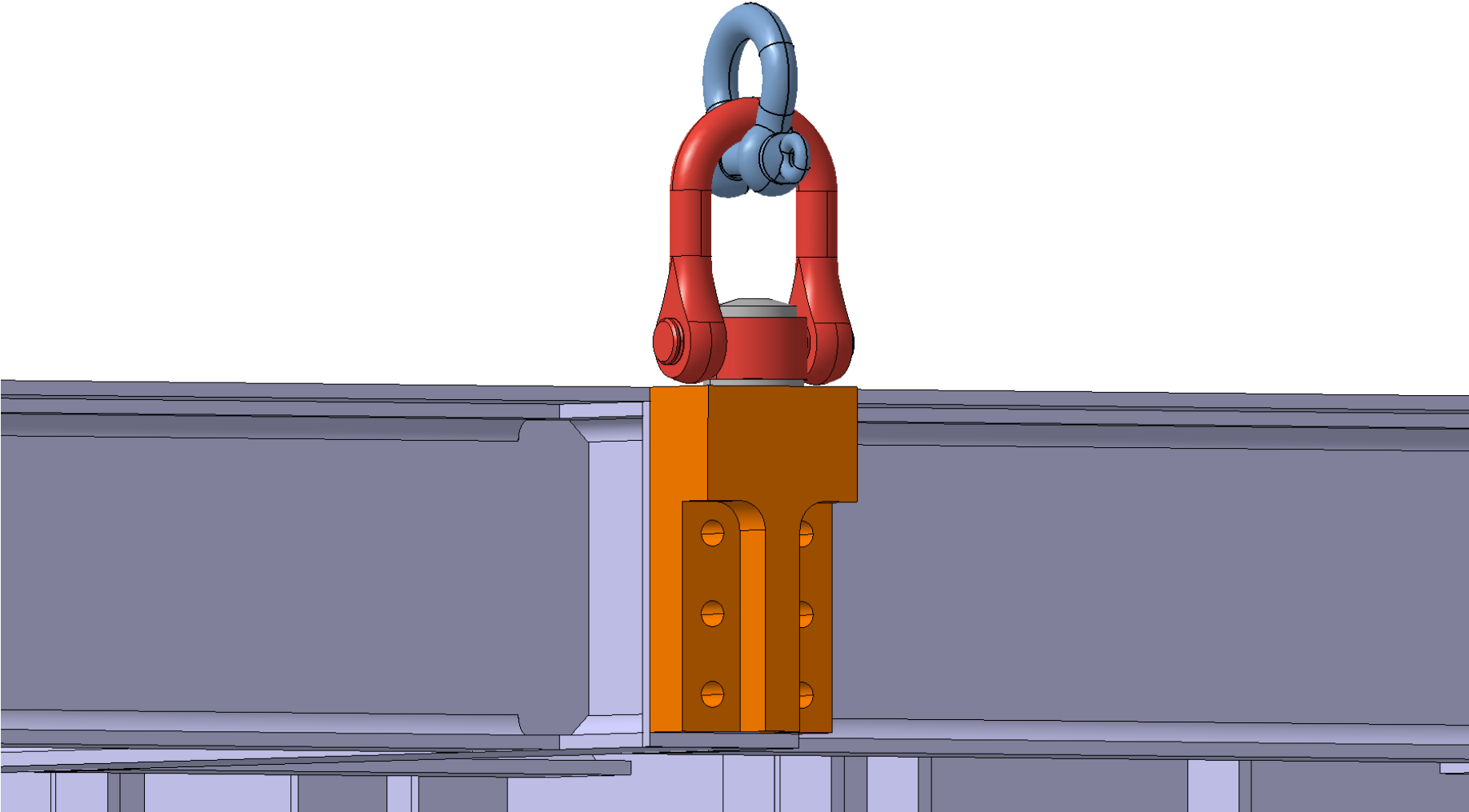


Drawing reference CEN104CR0074

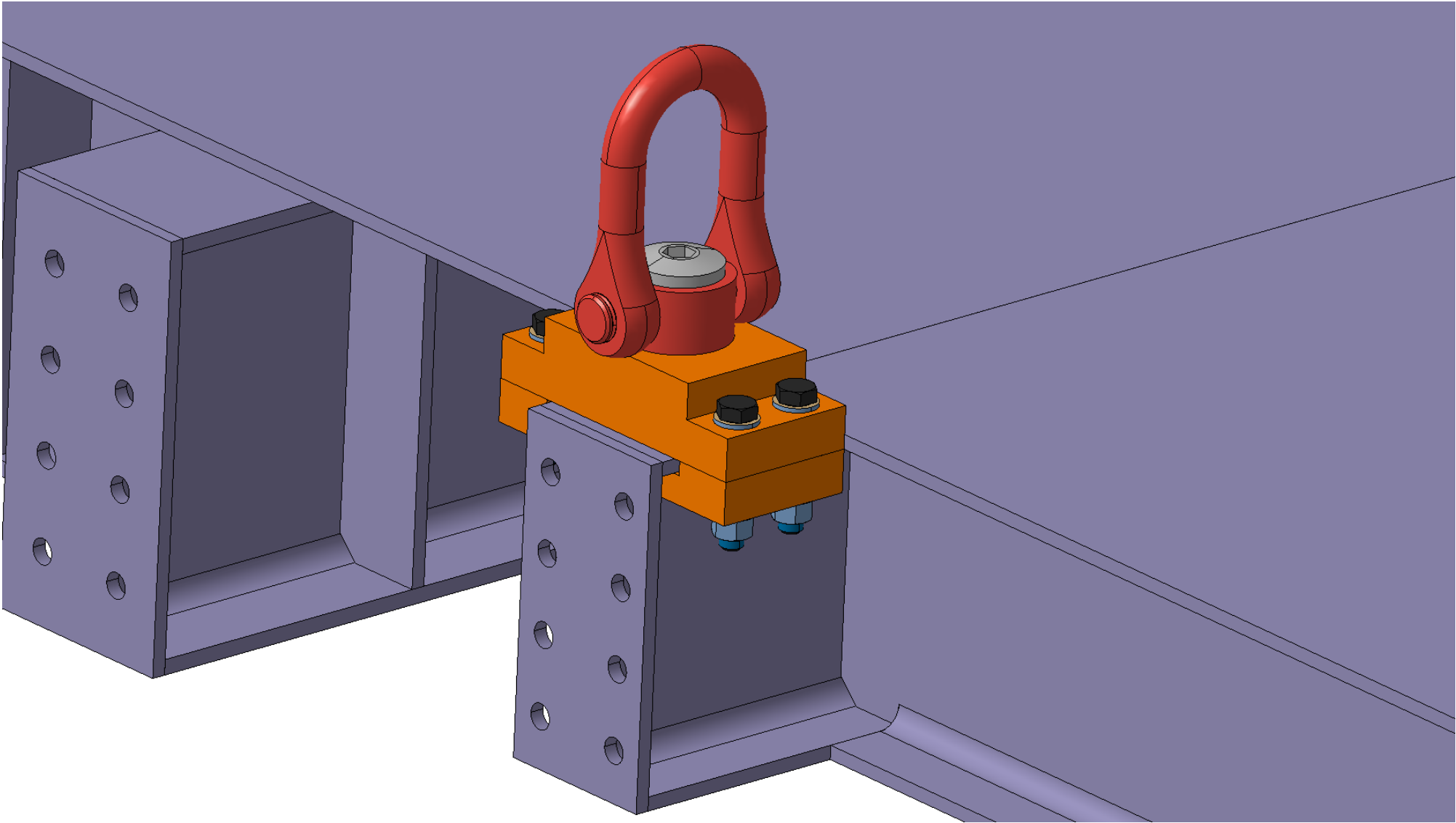


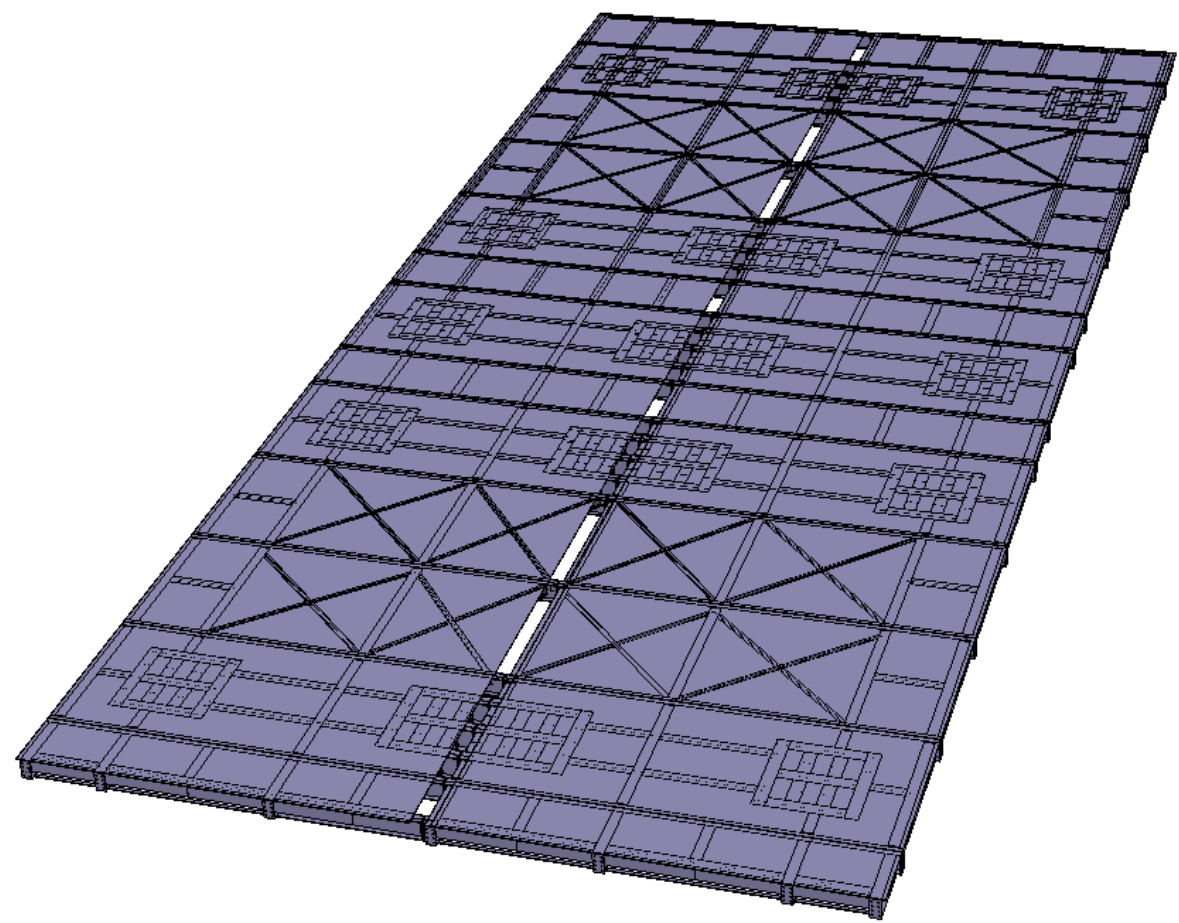


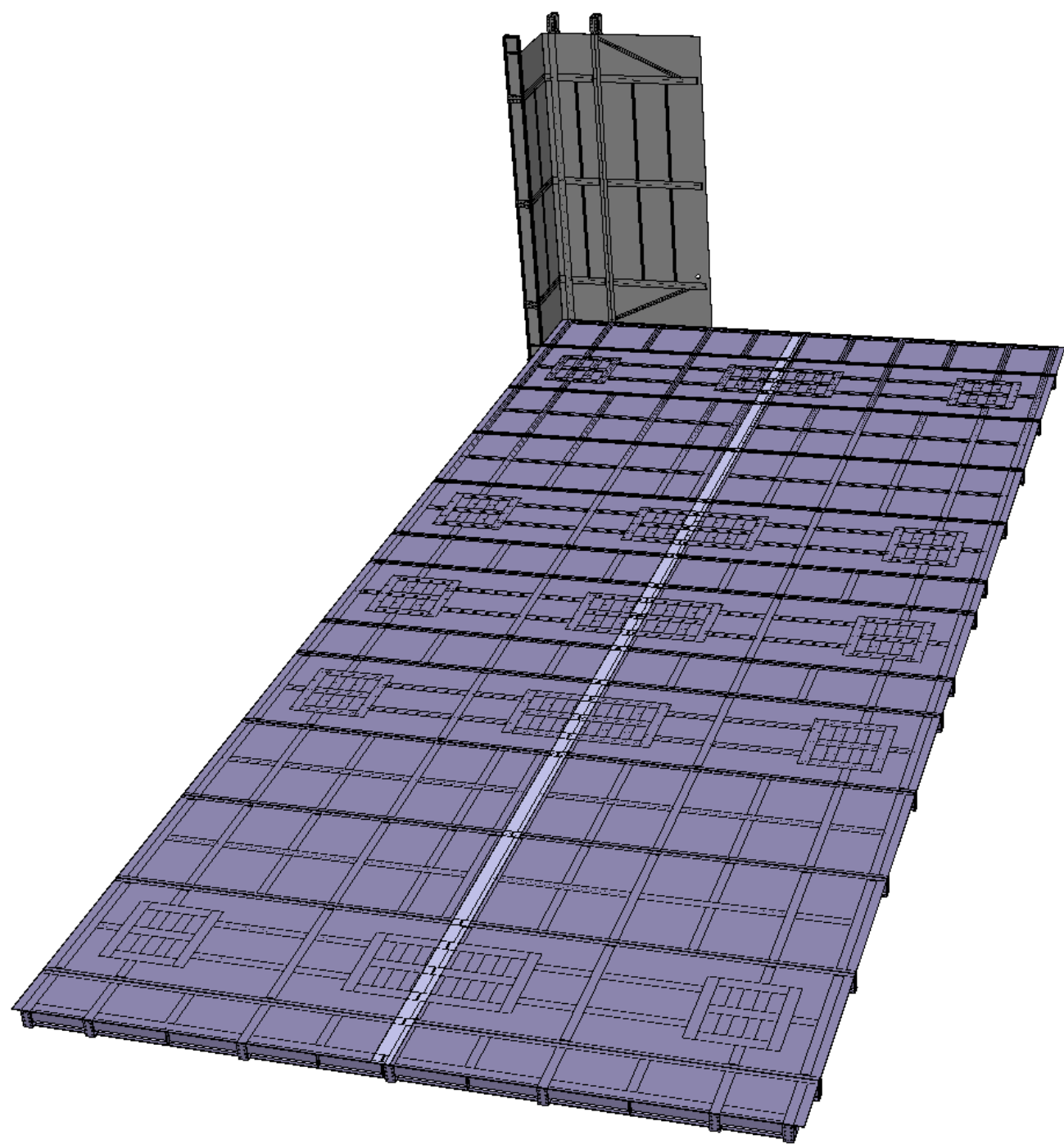
Drawing reference CEN104CR0075



Drawing reference CEN104CR0071







Drawing reference CEN104CR0076

