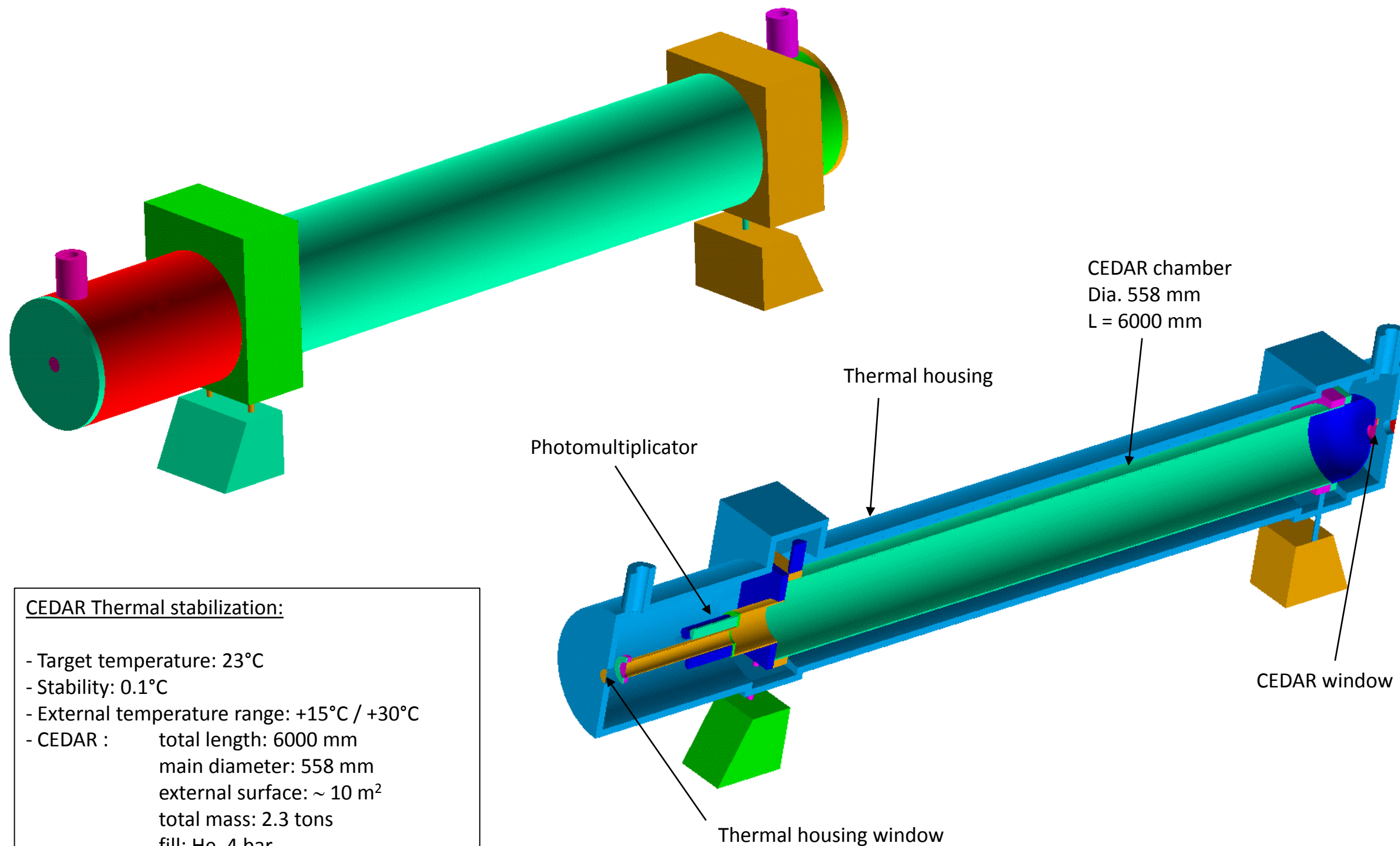


CEDAR Detector



CEDAR Thermal stabilization:

- Target temperature: 23°C
- Stability: 0.1°C
- External temperature range: +15°C / +30°C
- CEDAR :
 - total length: 6000 mm
 - main diameter: 558 mm
 - external surface: ~ 10 m²
 - total mass: 2.3 tons
 - fill: He, 4 bar
 - chamber material: Steel (AC 52.3)
- Thermal housing internal diameter: 770 mm
- Insulation thickness: 50 mm
- Air volume inside the thermal housing: ~ 1.6 m³
- Internal heat load: ~ 50 W

