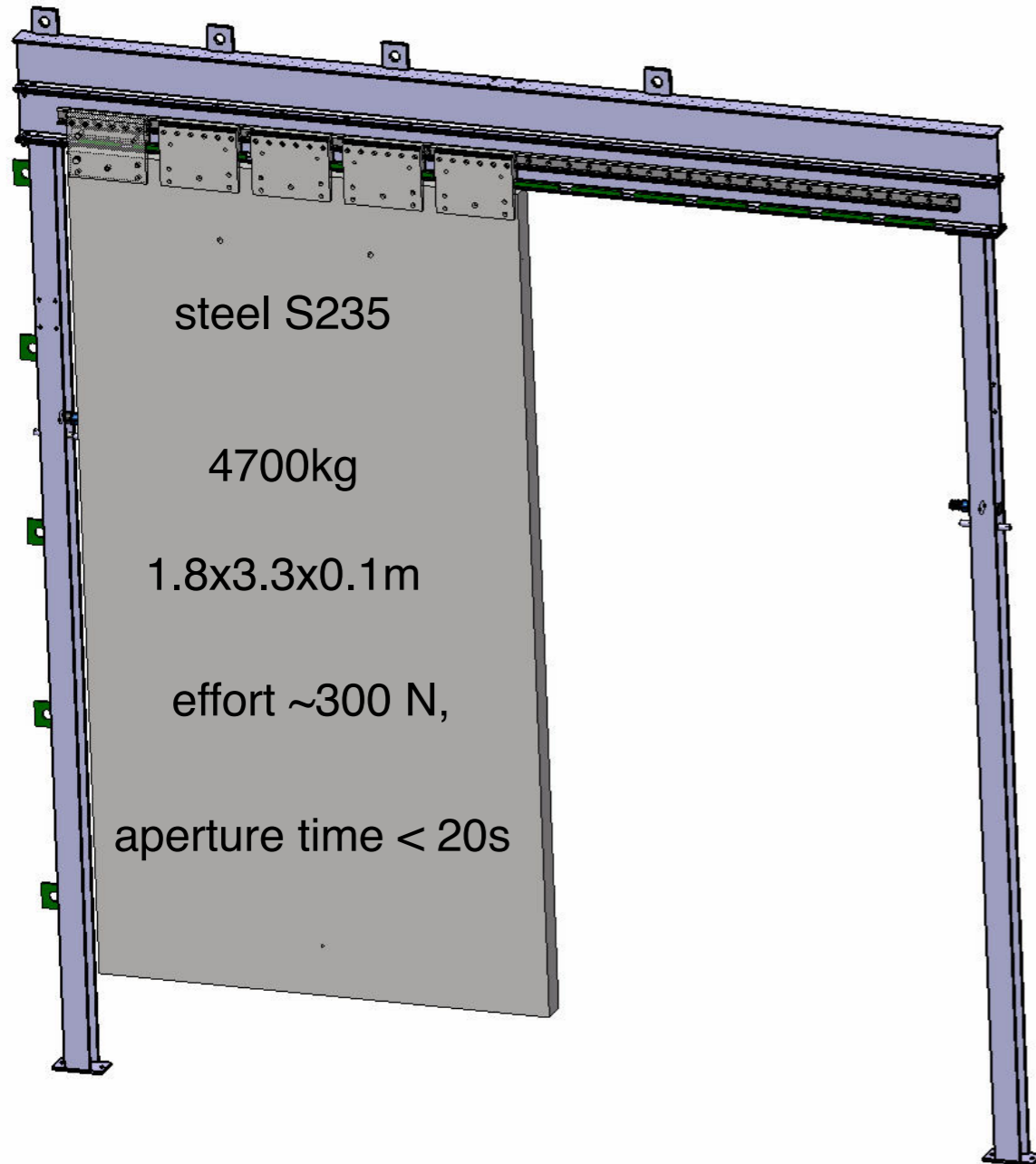
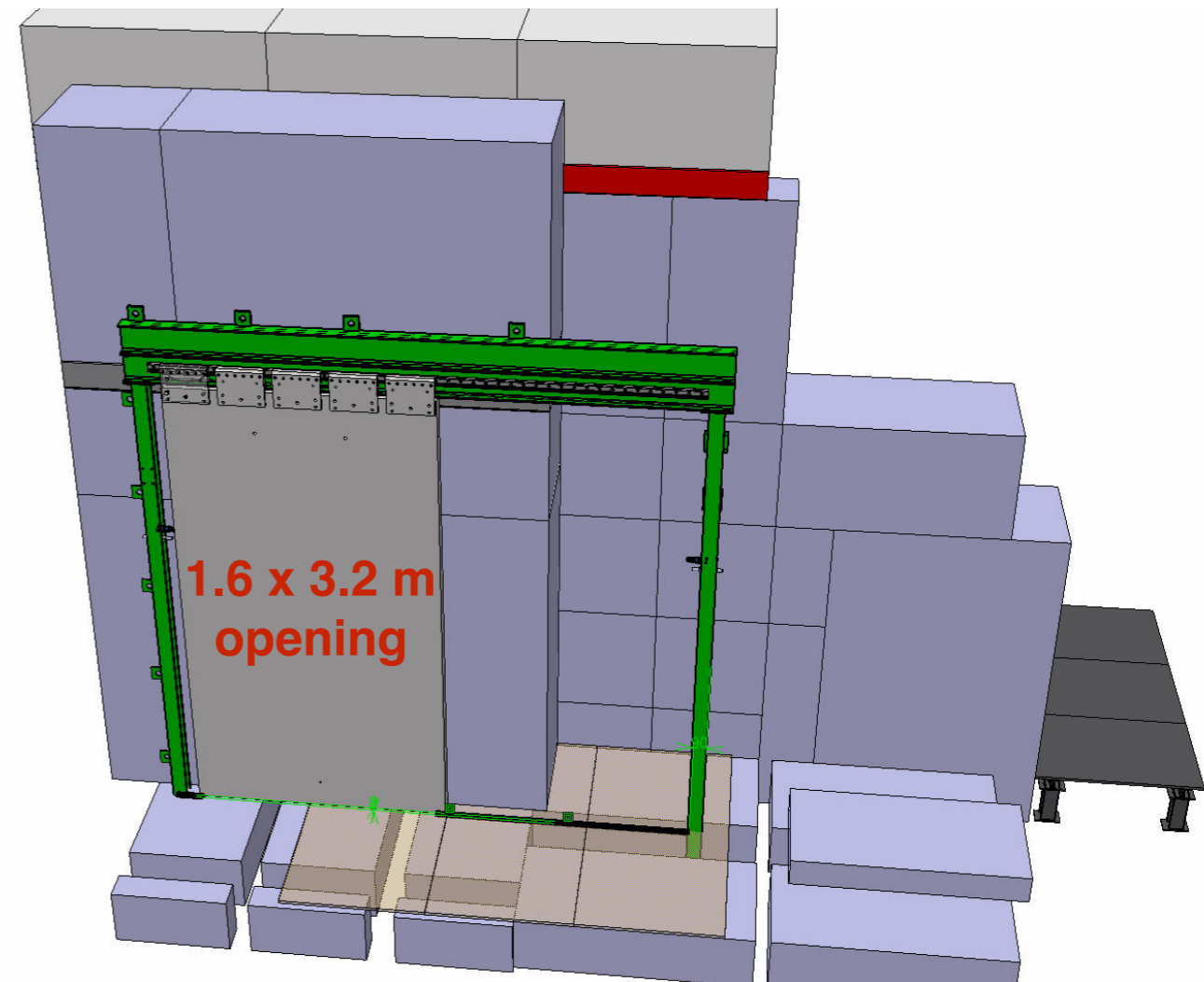


New Material Access Door  
for GIF++ Bunker

# MAD door concept



Door concept already approved and installed for AWAKE experiment



Max 4h for complete dismantling to gain back full opening

# Installation Schedule

(preliminary)

- 🔧 Pre-Installation in EHN1 workshop  $\approx$  2 weeks
- 🔧 Preparation of floor structure : 1 day
- 🔧 Installation of pre-assembled door : 1-1.5 days
- 🔧 DSO test : 0.5 days + RP measurement with source on
- 🔧 Can possibly be split into  
1 day (Wed) + 2 extra days (e.g. Tue-Wed)