

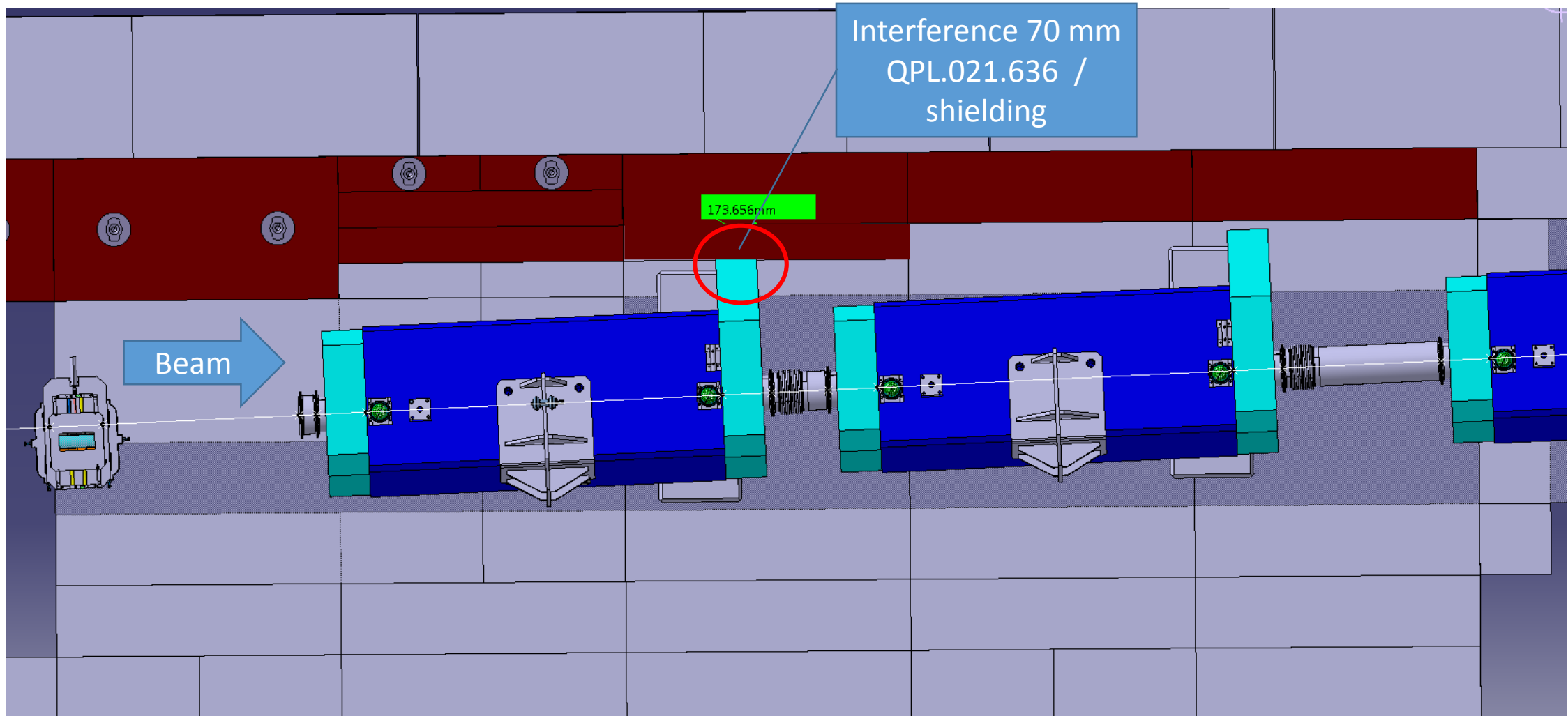
# EHN1 extension

**72th EAs integration meeting**

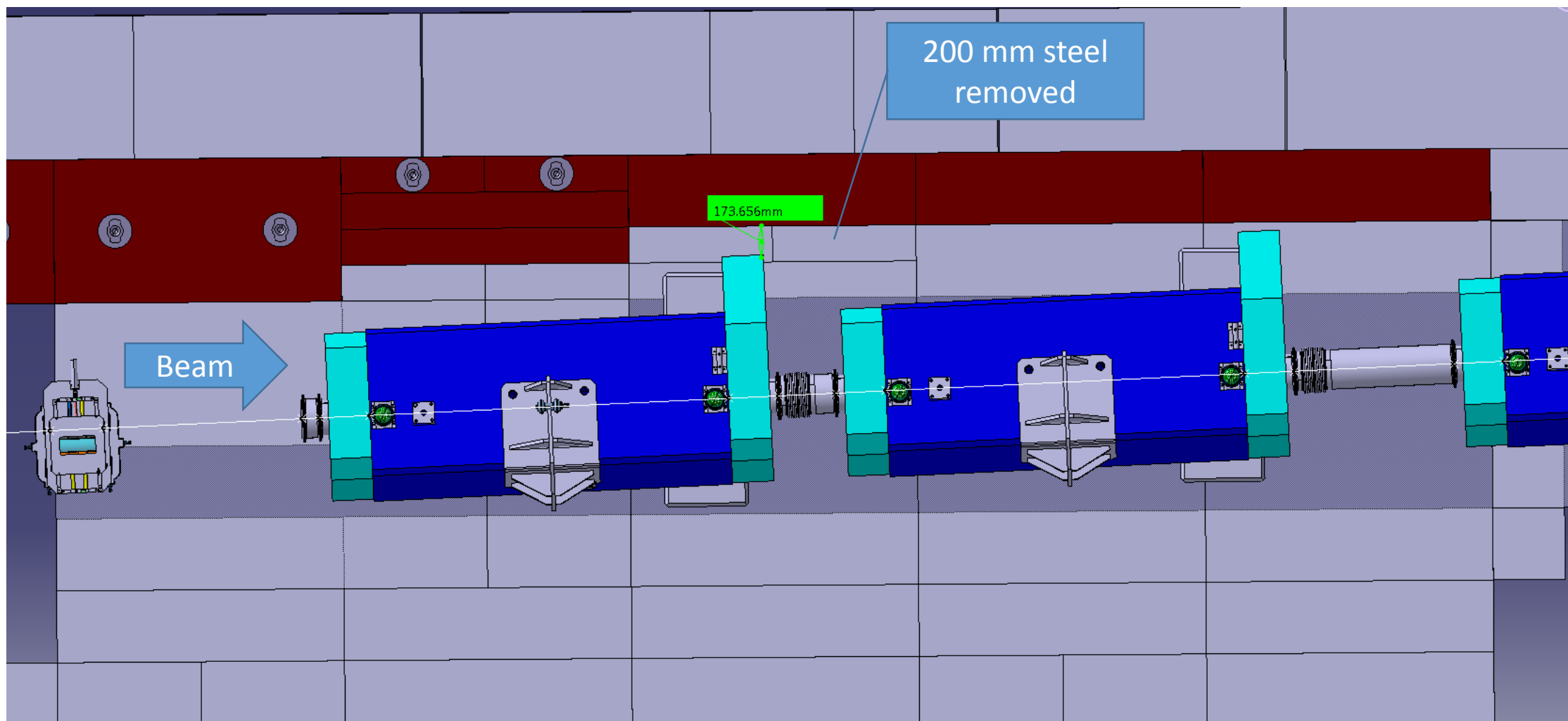
V. Clerc – S. Girod

<https://indico.cern.ch/event/651507/>

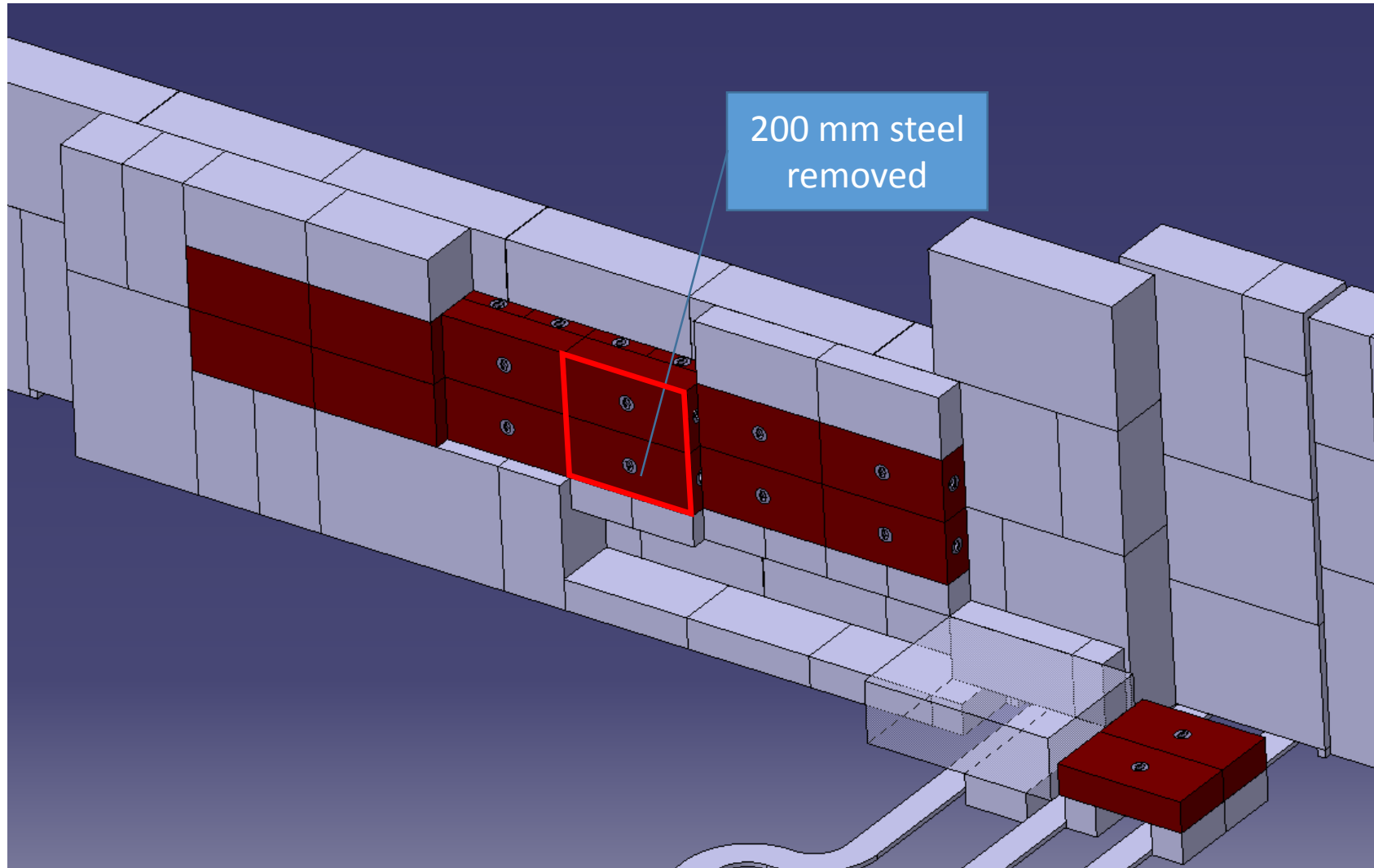
# H2 PPE182 shielding change



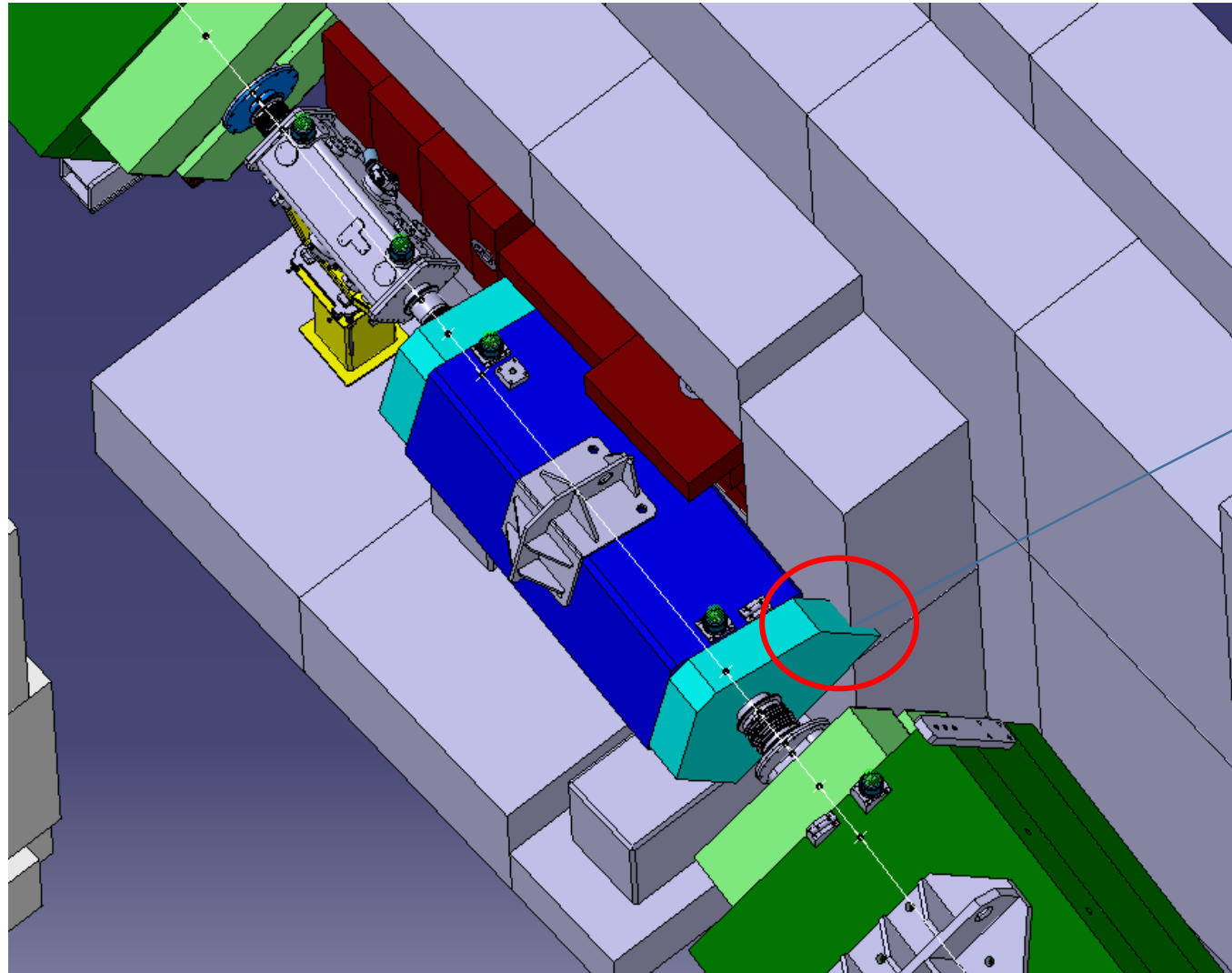
# H2 PPE182 shielding change



# H2 PPE182 shielding change

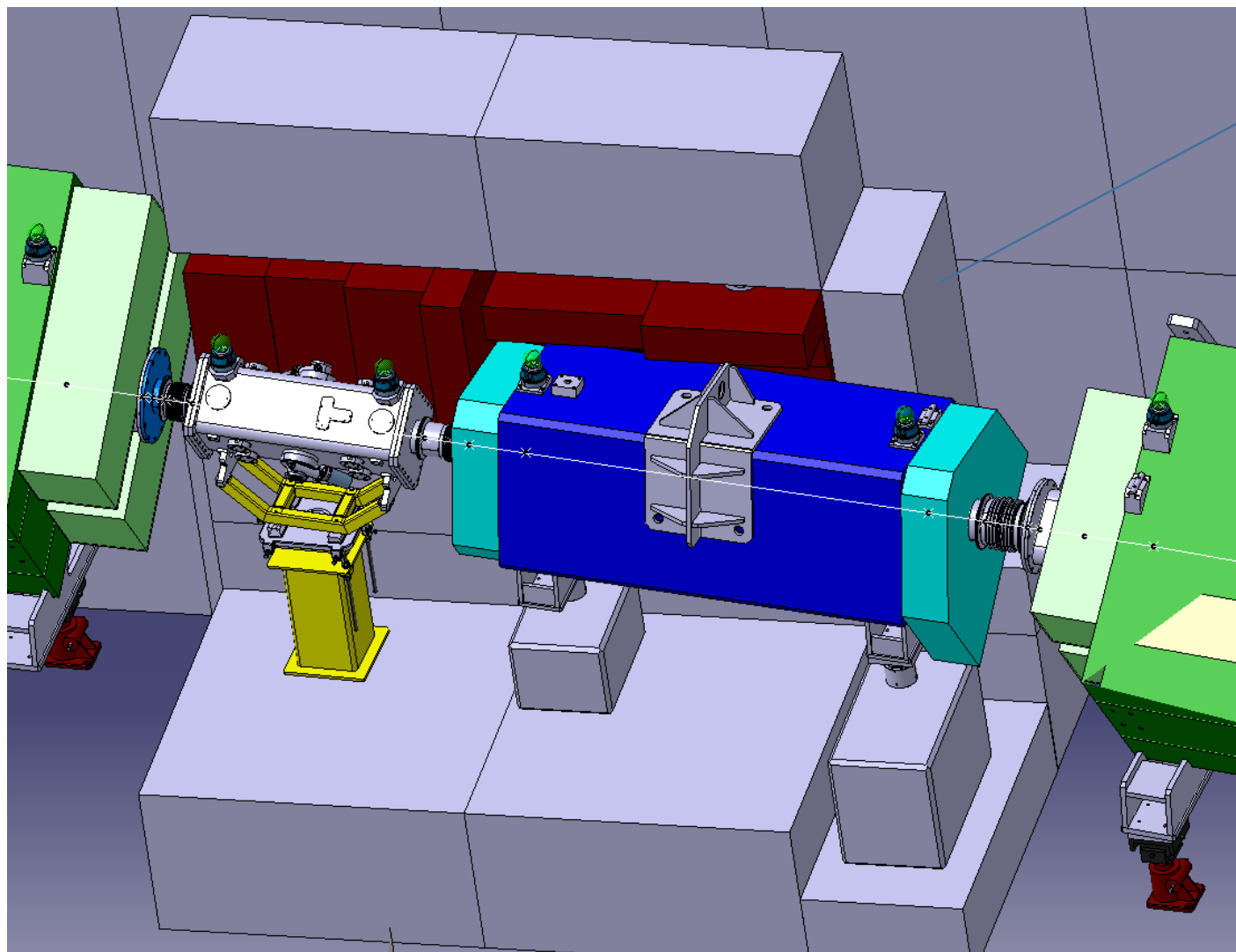


# H2 PPE182 shielding change



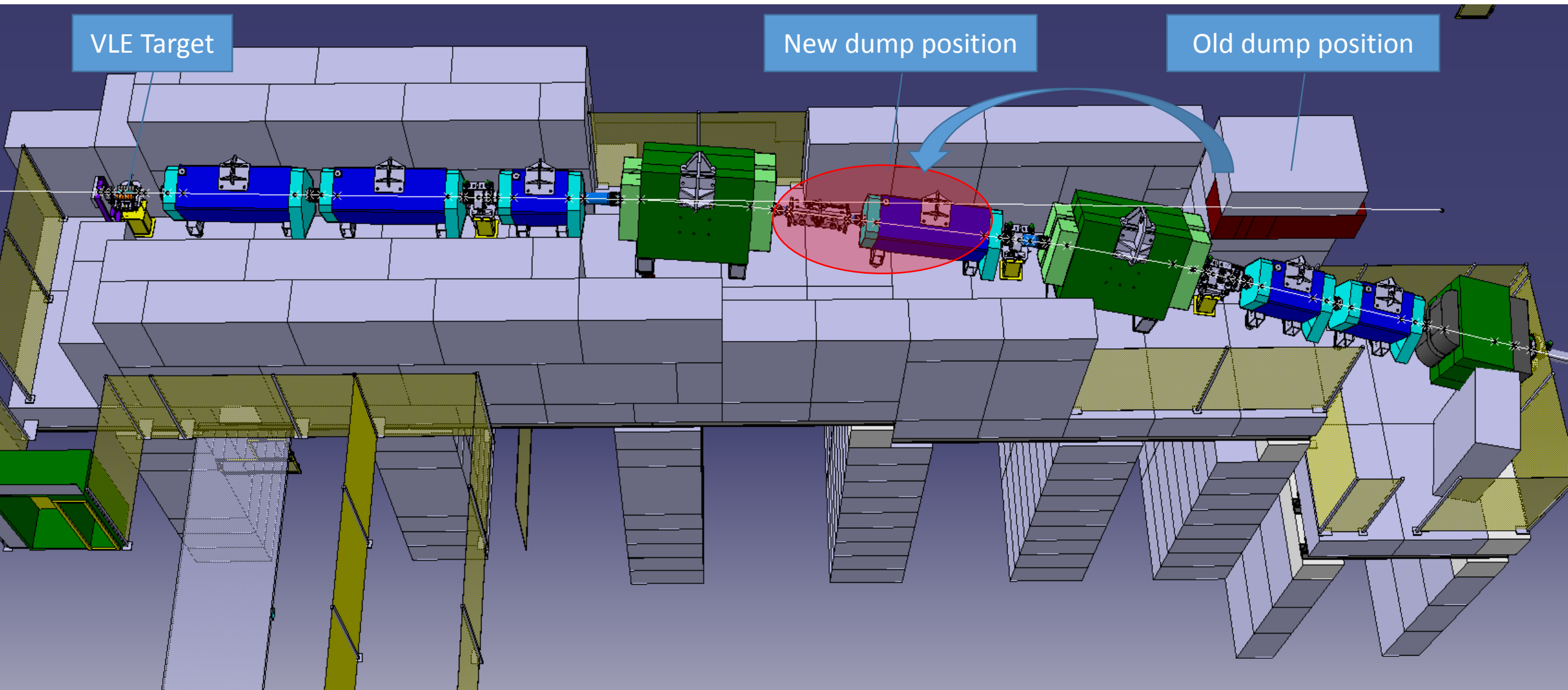
Interference  
QPL.021.651 /  
shielding

# H2 PPE182 shielding change

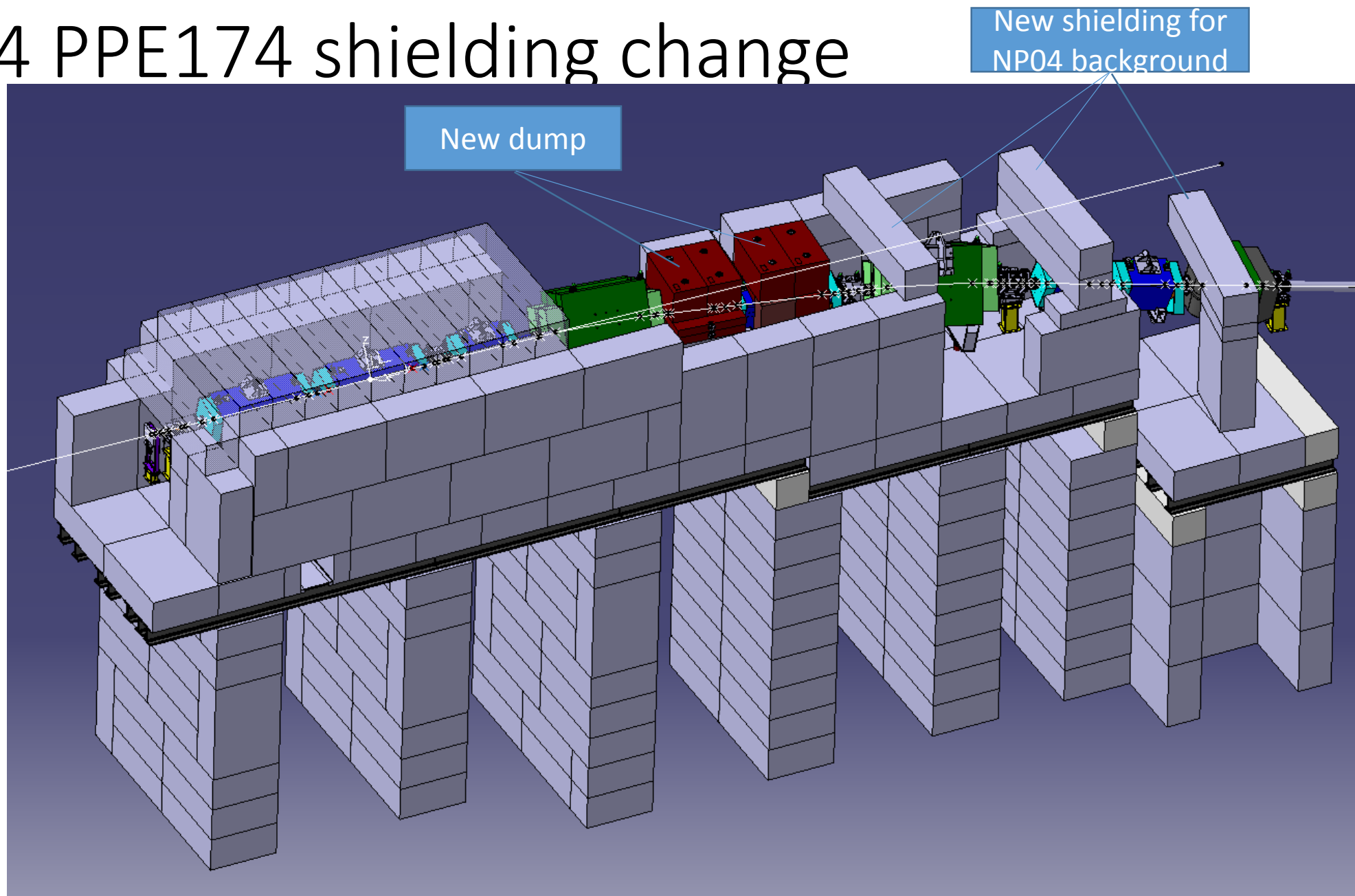


Concrete bloc  
1688 replaced  
by 1684

# H4 PPE174 shielding change

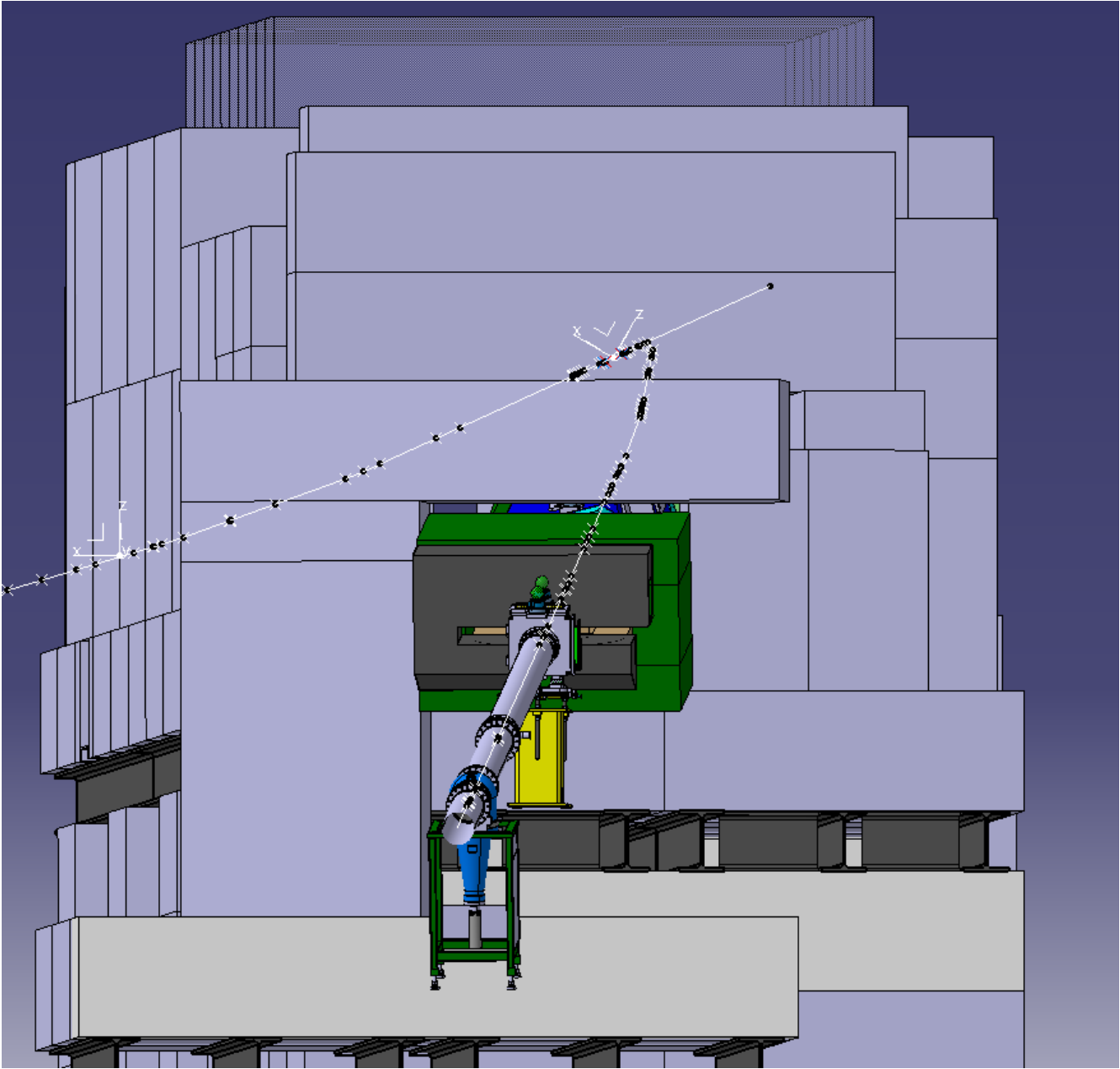


# H4 PPE174 shielding change

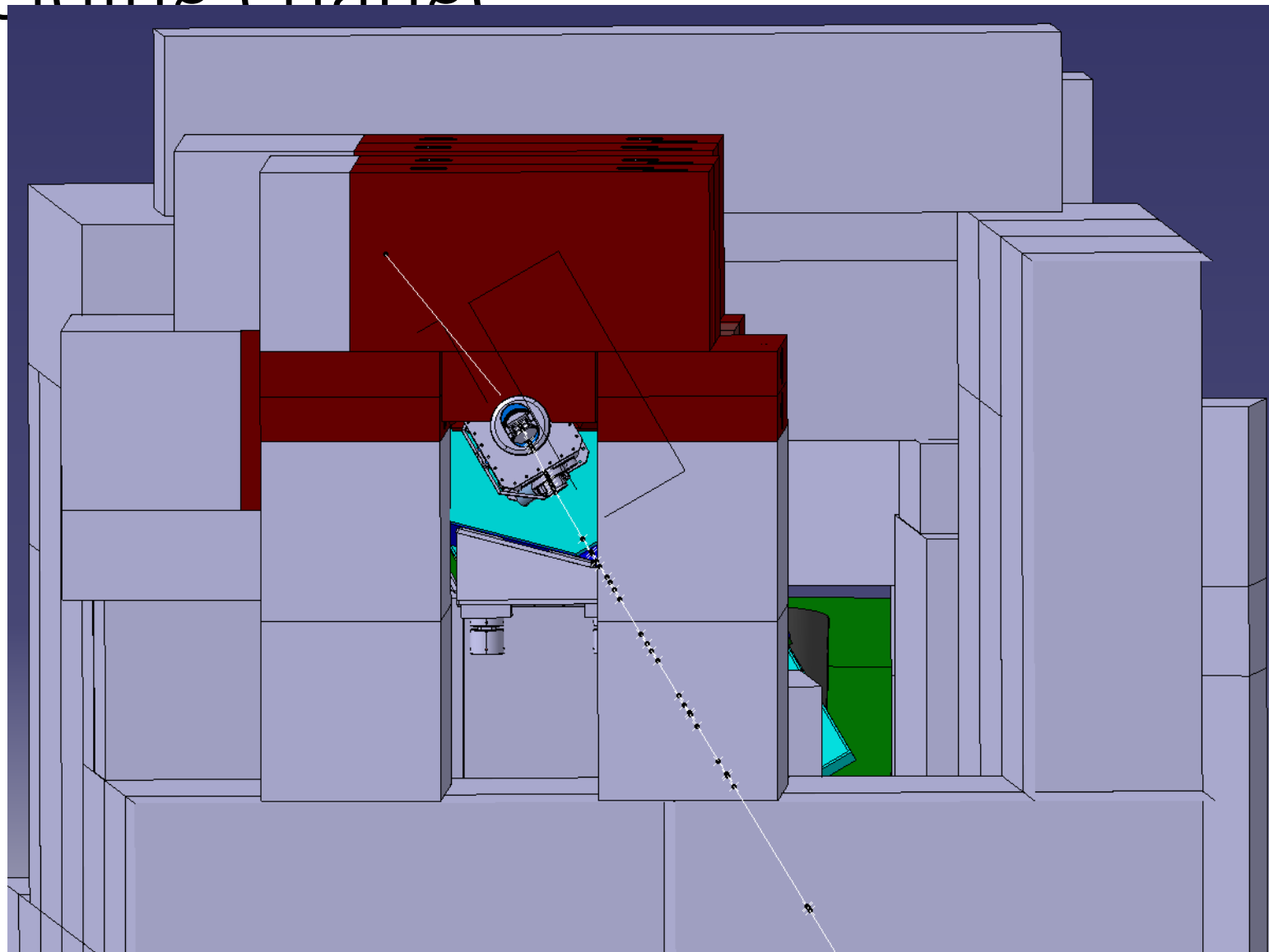




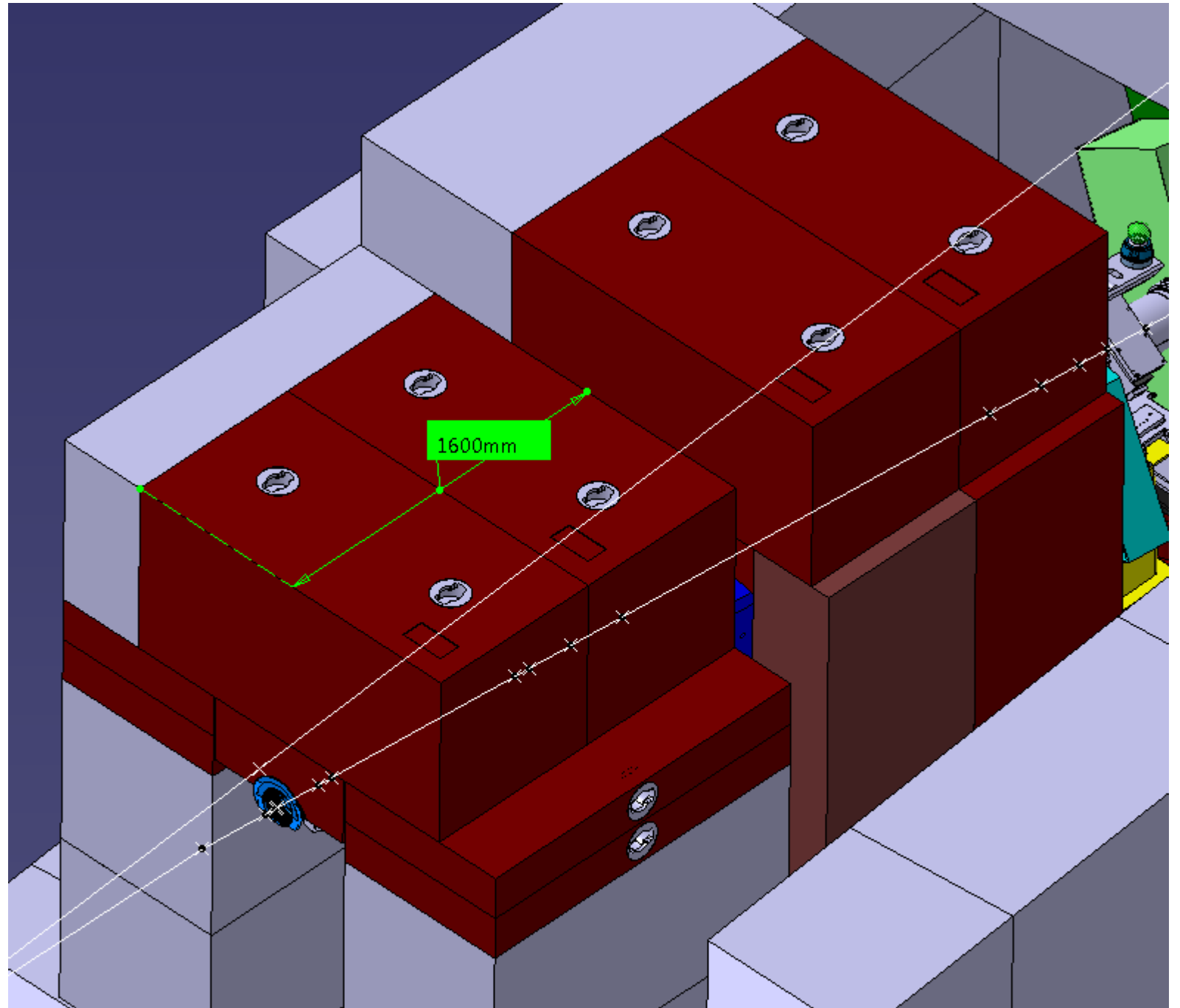
Upstream view  
from NP04



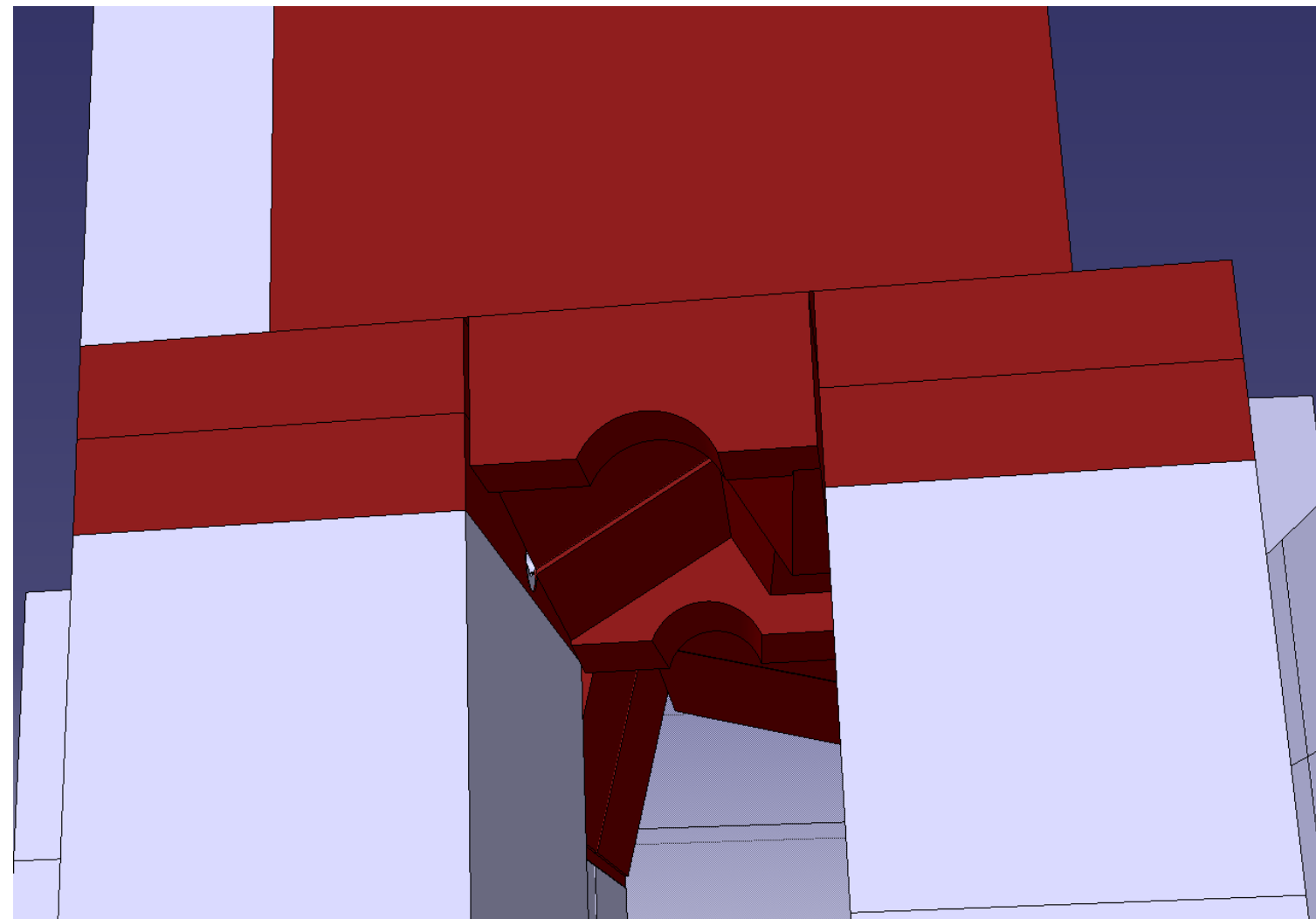
# H4 PPE174 shielding change



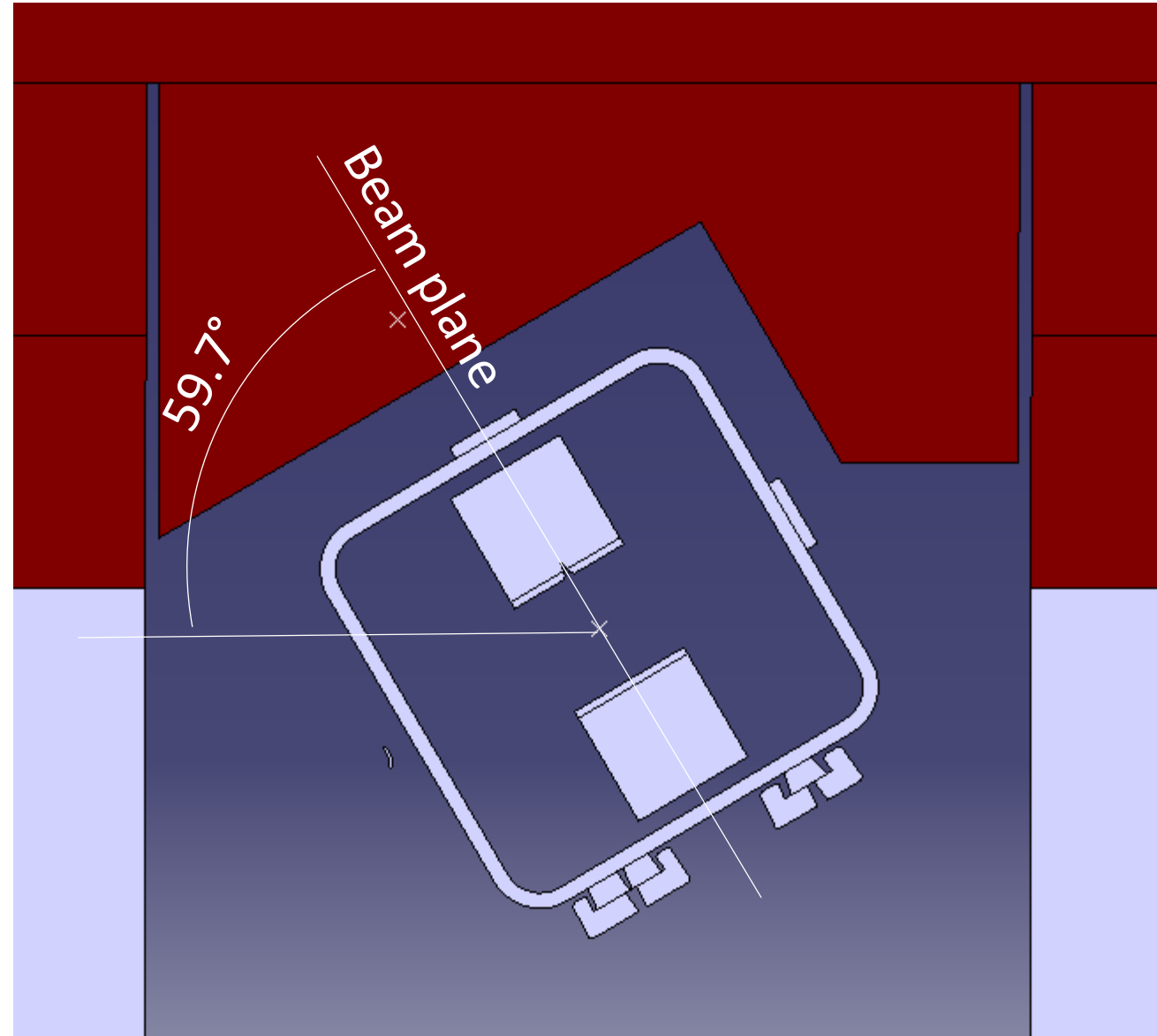
Dump around  
collimator



# Dump around collimator

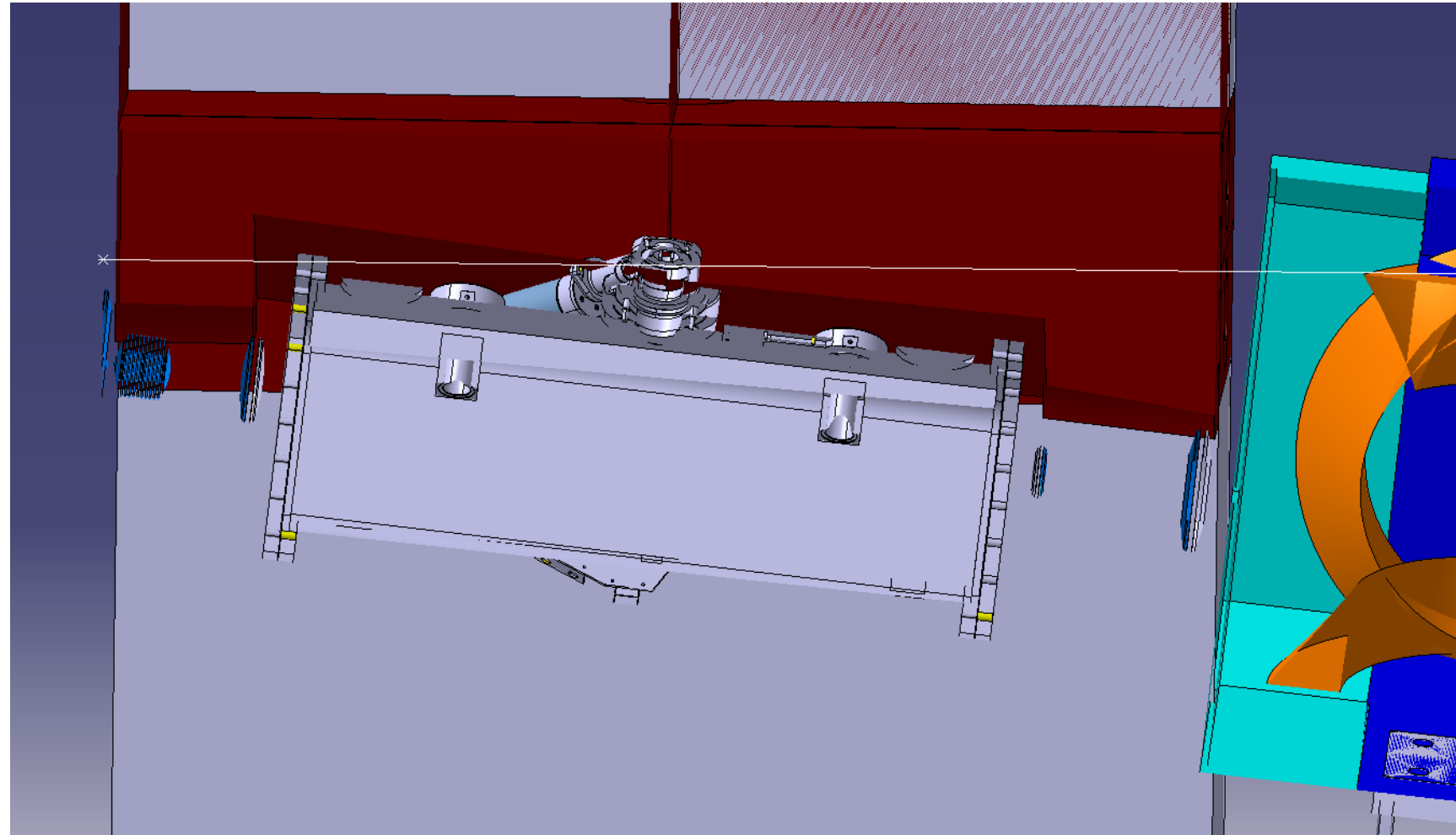


# Dump around collimator - section



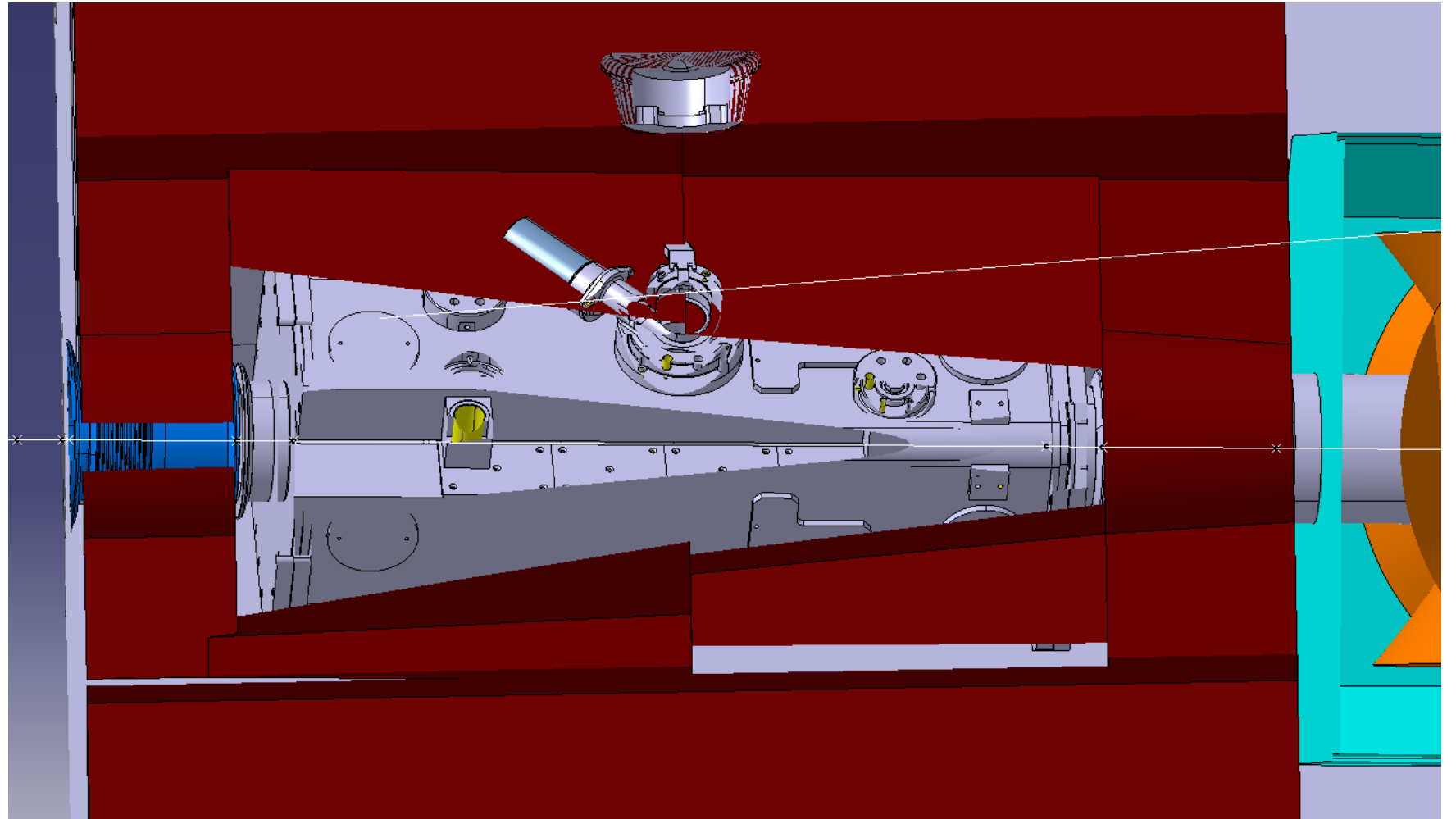
# Dump around collimator – side view

- Gap mini to collimator:  
50mm

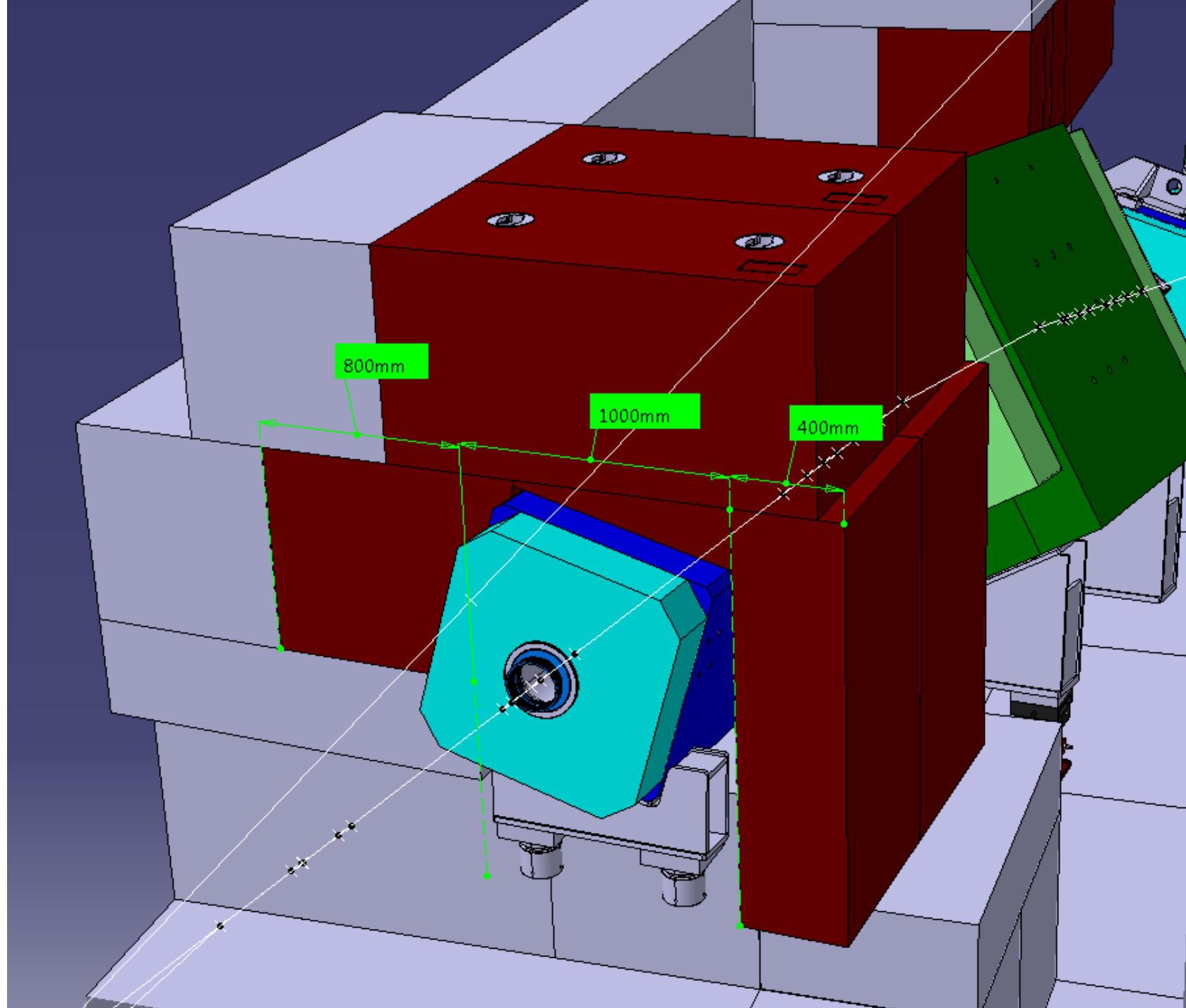


# Dump around collimator – top view

- Gap mini to collimator: 50mm

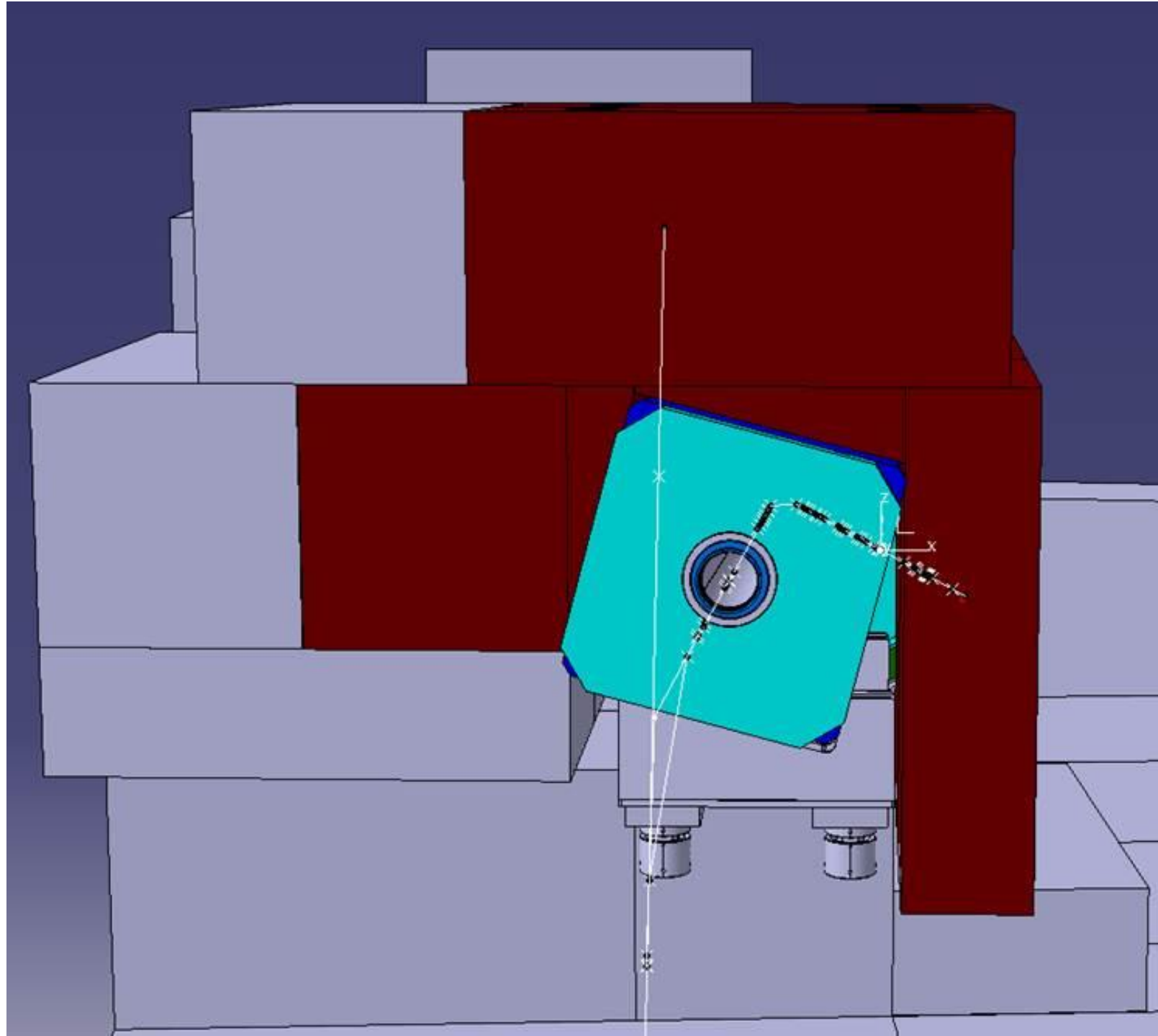


# Dump around QPL

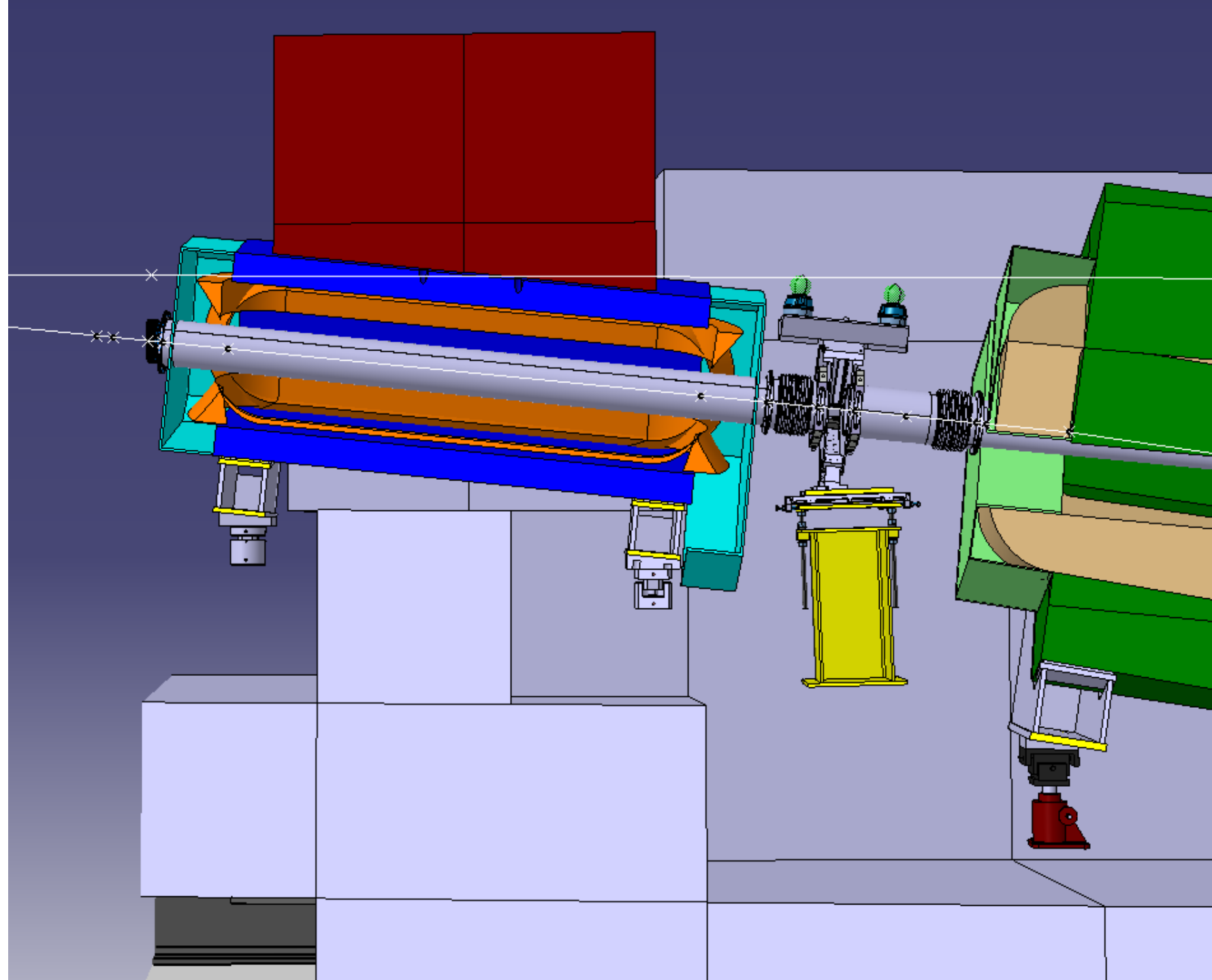




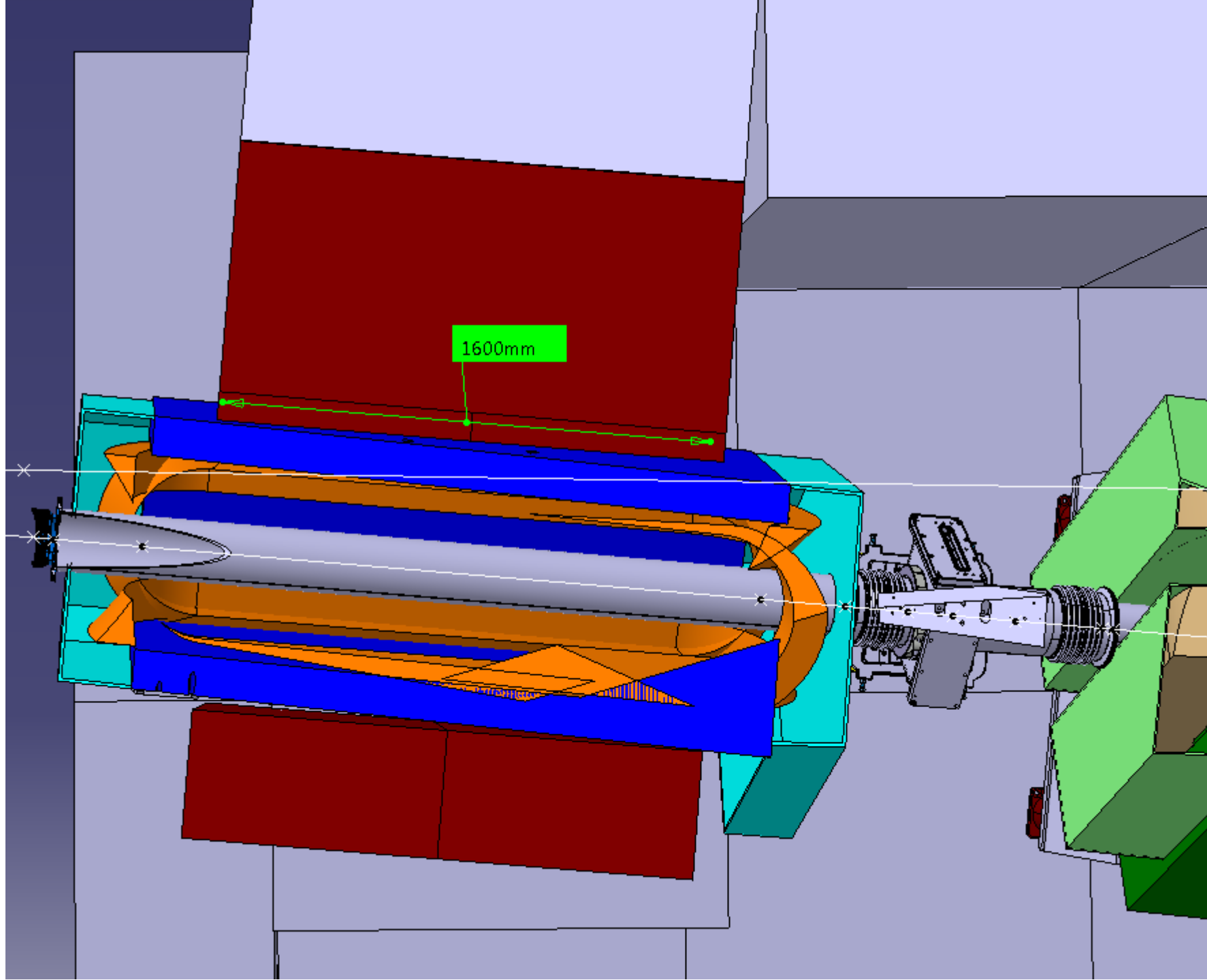
Dump around  
QPL



Dump  
around QPL -  
side view



Dump around  
QPL - top view



# Concrete shielding

