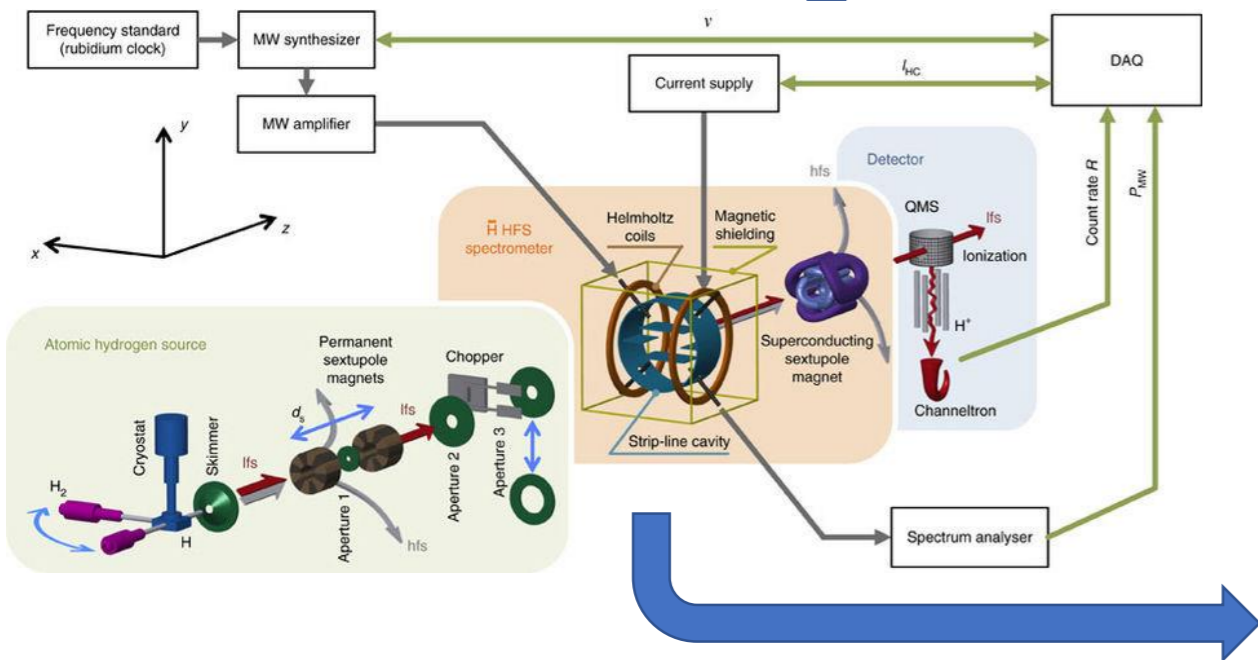


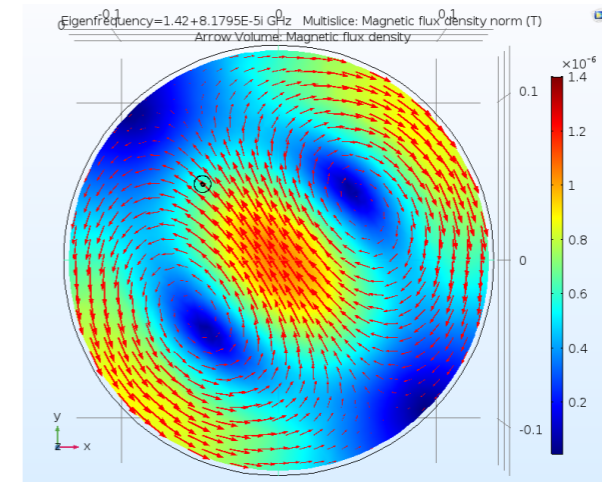
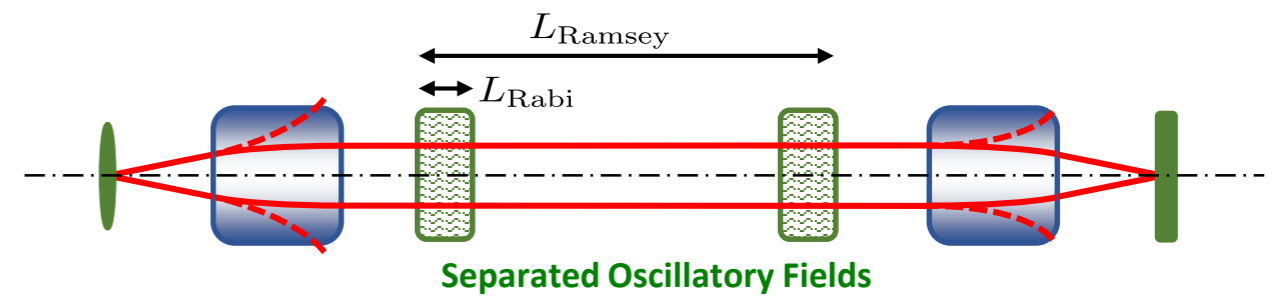
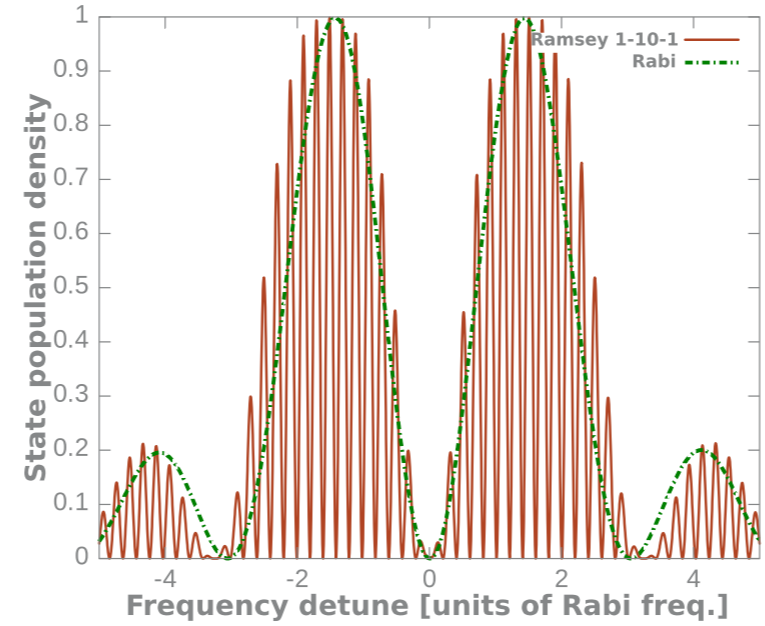
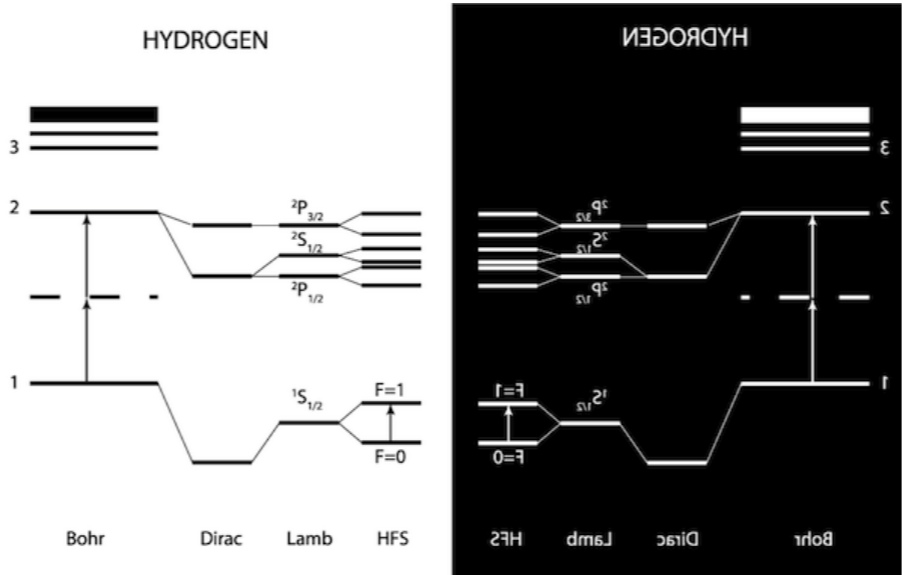
Ramsey set-up for (anti-)hydrogen spectroscopy

Amit Nanda on behalf of the ASACUSA collaboration
Stefan Meyer Institute for Subatomic Physics, Vienna, Austria

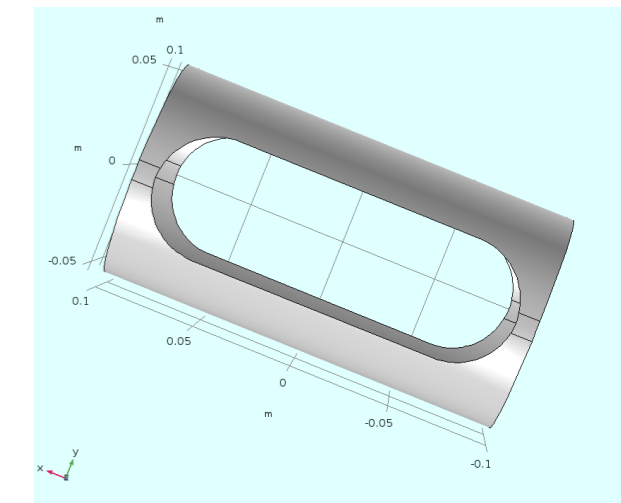
Rabi type spectrometer line commissioned with hydrogen: best in beam results



Cavity isn't ideal for Ramsey method



Microwave cavity: TM-011



Prospective parallel plate coils: Broadband, Phase matching

