

ICFA Report to C11

August 2016 to August 2017

J. Mnich (DESY)

August 9, 2017

ICFA Membership

CERN Member States

H. Abramowicz (U Tel Aviv)

F. Gianotti (CERN)

J. Mnich (DESY, Chair)

USA

N. Lockyer (FNAL)

D. MacFarlane (SLAC)

N. Hadley (U Maryland)

Japan

T. Mori (U Tokyo)

M. Yamauchi (KEK)

Russia

A. Bondar (Budker)

S. Ivanov (IHEP)

(new since August 2016)

Canada

M. Roney (U Victoria)

China

Y. Wang (IHEP)

Other Countries

M. Cho (POSTECH)

E. Álvarez (ICAS, Argentina)

V. Matveev (JINR)

C11

J. Fuster (U Valencia)

Secretary: P. Bhat (FNAL)

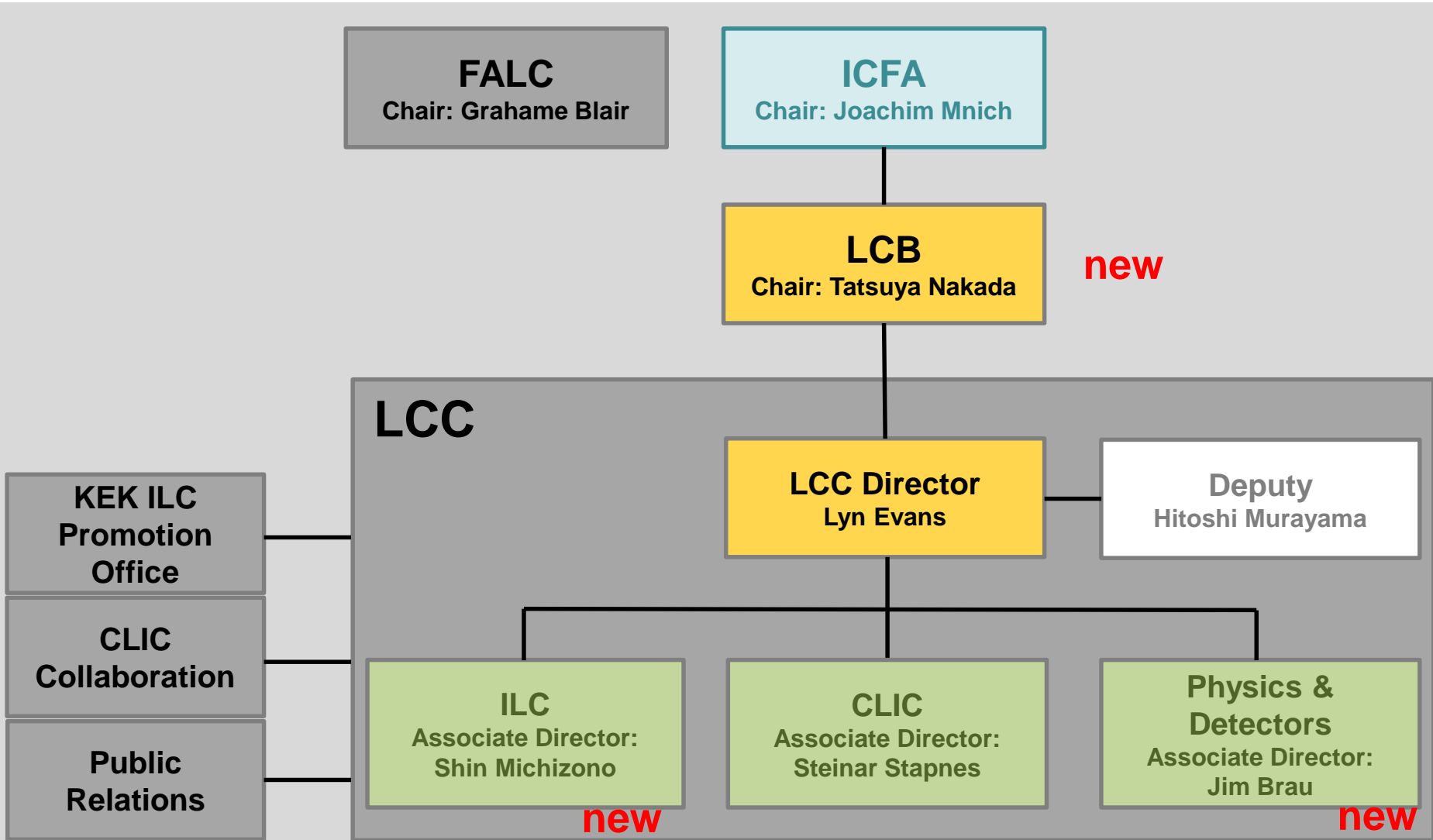
Election of new ICFA chair this afternoon

New Mandate for LCB/LCC established in 2016

Main purpose over the next years:

- > **Oversight on worldwide R&D efforts**
 - relevant R&D (mostly) done through other projects
- > **Keep the successful close collaboration and synergy between ILC and CLIC**
- > **Promote LC in politics and general public**
 - thus establish close links to e.g. KEK ILC promotion office,
 - CLIC collaboration and
 - Outreach (communicators)
- > **Keep possibility for common fund**
 - after endorsement by LCB, approval through FALC

New LC organisation



Linear Collider Board:

> Keep structure as it is

- 5 members from each of the 3 regions plus chair
- **New chair: Tatsuya Nakada (EPFL, CH)**

> Regions nominate their members

> Duration of LCB/LCC mandate:

- to be reviewed by ICFA on a regular basis, at least after three years

Linear Collider Collaboration:

- > Has started its work
- > One of the main topic is investigation of possible cost reduction for ILC
 - Progress in technology, i.e. cavity gradient
 - Staging: start version with 250 GeV cms energy i.e. above threshold for Higgs production
- > Details to be discussed at LCB meeting
 - Note: full scientific potential of a linear electron-positron collider requires upgrade to cms energies beyond 250 GeV

> ICFA panels

- new panel on sustainable accelerators and colliders
- review of ICFA panels, mandate, membership, duration ongoing proposal to be discussed by ICFA this week

> Beam Dynamics panel: new chair appointed

Yong Ho Chin (KEK)

and some members replaced

- > ICFA seminars take place every three years with the aim of bringing together government officials involved in strategic decisions for High Energy Physics (HEP), representatives of the major funding agencies, the directors of major HEP laboratories, and leading scientists from all of the regions with HEP activity.
- > **Next ICFA seminar: Ottawa, Canada, Nov 6-9 2017**

Next ICFA Meetings

- > **Lepton-Photon 2017**
Guangzhou **August 9, 2017**
- > **ICFA seminar Ottawa** **November 6-9., 2017**
 at Shaw Centre, Ottawa
- > **February 2018 meeting in Chicago, place tbc**

New ICFA web page <http://icfa.fnal.gov/>

(thanks to new ICFA secretary Pushpa Bhat)

Backup Slides

ICFA: International Committee for Future Accelerators

Web site: <http://icfa.fnal.gov/>

Mandate:

- **promote international collaboration on very high energy accelerators**
- **organize regularly world-inclusive meetings for the exchange of information on future plans**
- **organize workshops for the study of problems related to super high-energy accelerators**