

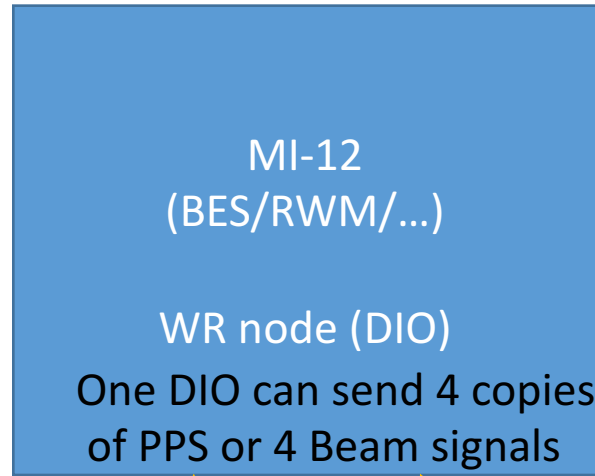
SBN campus network's fibers status & needs

D. Torretta 8/16/2017

96 SM fibers available from MINOS to ICARUS:
12 terminated to FD

96 SM fibers available From MI-12 to SBND:
0 terminated to SBND

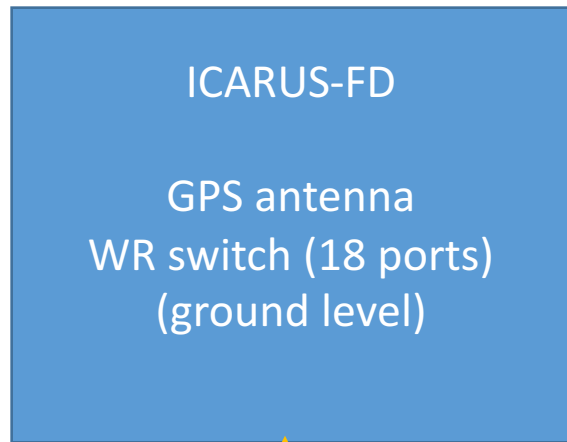
Current status



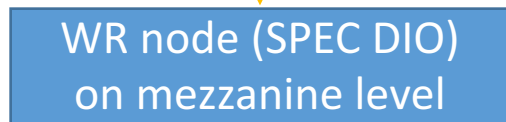
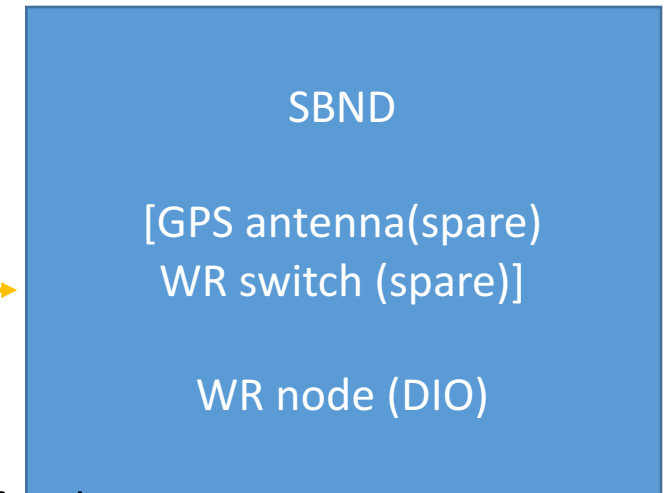
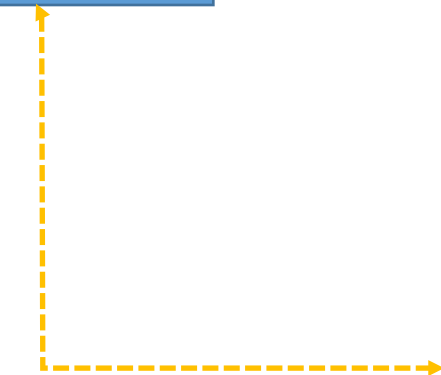
MM fibers status:

1 MM fiber installed from MI-12 to SBND (for CRT tests) at end of June

If experiments need MM fibers, AD can install them



Pair of fibers connecting WR node at FD to MI-12: pulses being transmitted



Pair of fibers from WR switch on ground level to WR node in mezzanine

Needs/Requests

SM fibers

- Terminate 18 fibers at both FD and SBND (to fit WR switch 18 ports)
- Should cover all experiments' needs
- Question: if fibers are terminated and connected to "patch panels", can we take care of connecting ports provided we have the "maps" ?

MM fibers

- Need to contact AD to Install fibers (if need TCLK, other...) and patch panels
- AD can install HRM (HotLink Rack Monitor) devices at both locations to provide all the TCLK and MIBS signals: \$1D,\$1F,\$AE,\$A9 and MIBS \$74
- Need task codes to cover AD work

NuMI signals

- Need to understand status of fibers/cables connecting MI-60 to SBN campus locations

