



# PowerFolder Open Cloud Mesh (v0.0.3) Integration

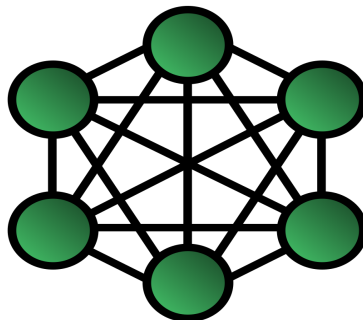
Jan Wiegmann

# Table Of Contents

- 1 Introduction
- 2 OCM API Endpoints
- 3 Trusted Relationships
- 4 Discovery Service

# What Is A Federated Network?

- Network of clouds
- All clouds trust each other
- OCM: Interface for interactions between clouds



# OCM Integration Into PowerFolder

- Successful use of federated networks for more than one year
- Use cases:
  - ① Federated sharing
  - ② Federated login
  - ③ Federated notifications
- OCM integration since PowerFolder Server 11.5



# OCM API Endpoints

- 1 Retrieve a single share:

```
GET → /shares/id
```

- 2 Retrieve all shares:

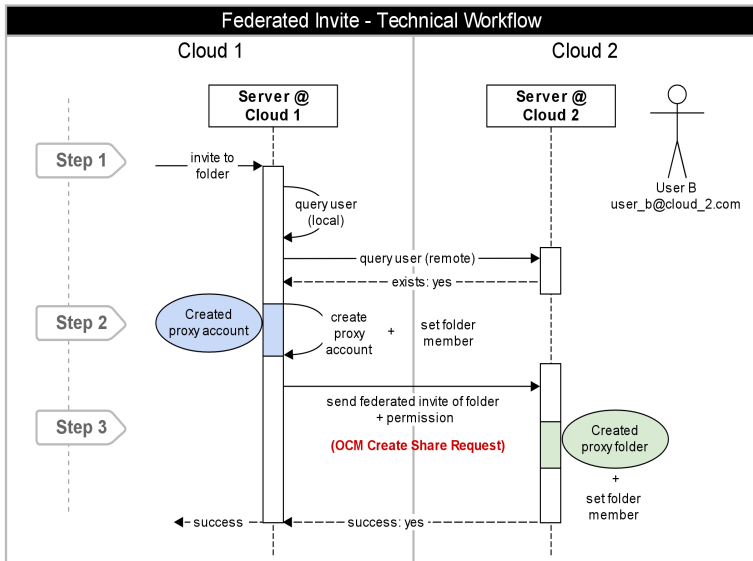
```
GET → /shares
```

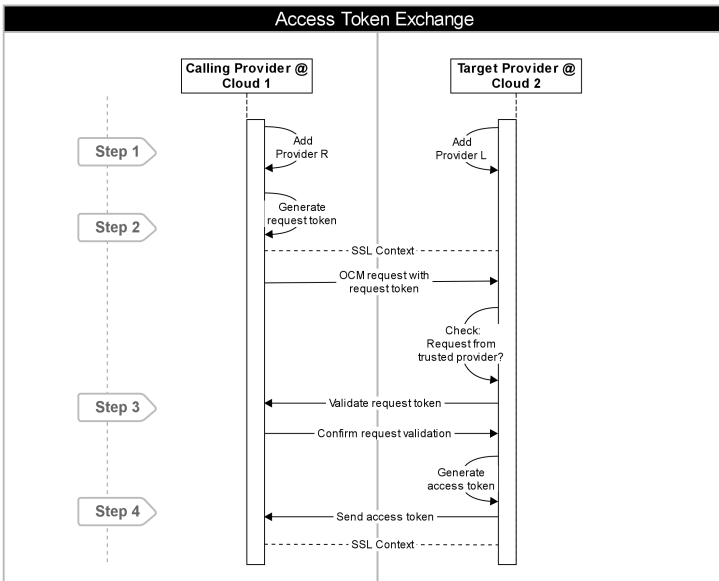
- 3 Create a share (Invite):

```
POST → /shares
```

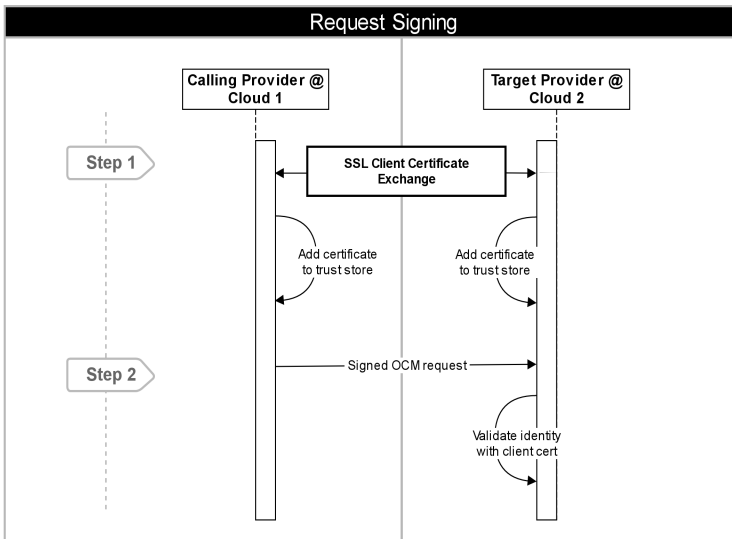
# Create Share Request Body

```
1 {
2   "shareId": "5a251569506eb81f477a67dd",
3   "owner": "user@cloud1.de",
4   "shareWith": "user@cloud2.de",
5   "permission": "read_write",
6   "name": "foo",
7   "description": "foobar",
8   "providerId": "cec0c932ce01",
9   "protocol": [
10    { "name": "pf_classic",
11      "options": { "access_token": "foobar9000" }
12    },
13    ...
14  ]
15 }
```





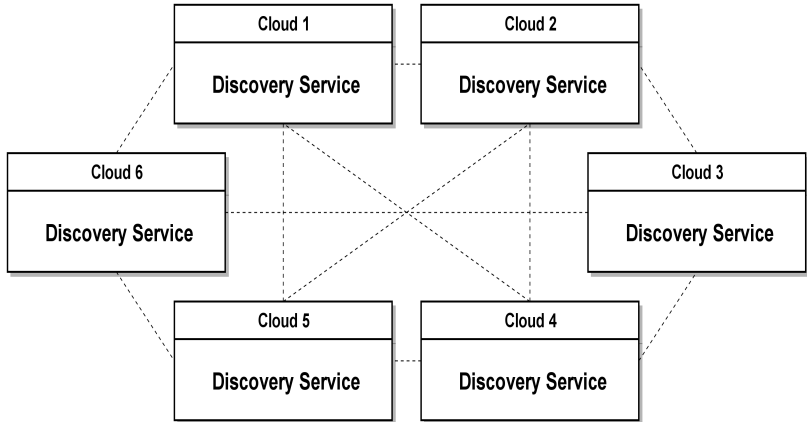




# Conclusion

- + Easy administration:
  - Usage in large networks with trust providers
  
- + Strong security:
  - Request validation by SSL client certificate authentication

# Discovery Service



# Federated Web-Login @ Cloud 1

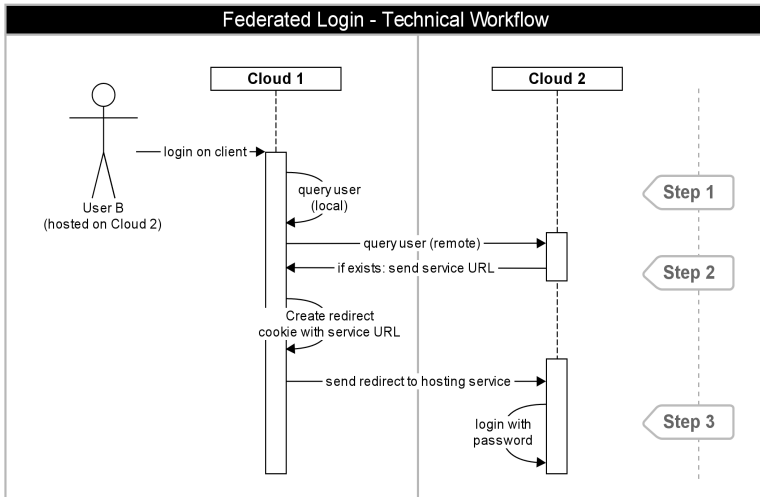


Email:

Login

[Register new account](#)

[Download Clients](#)



# Thank you!

---

Jan Wiegmann  
wiegmann@powerfolder.com  
www.powerfolder.com

