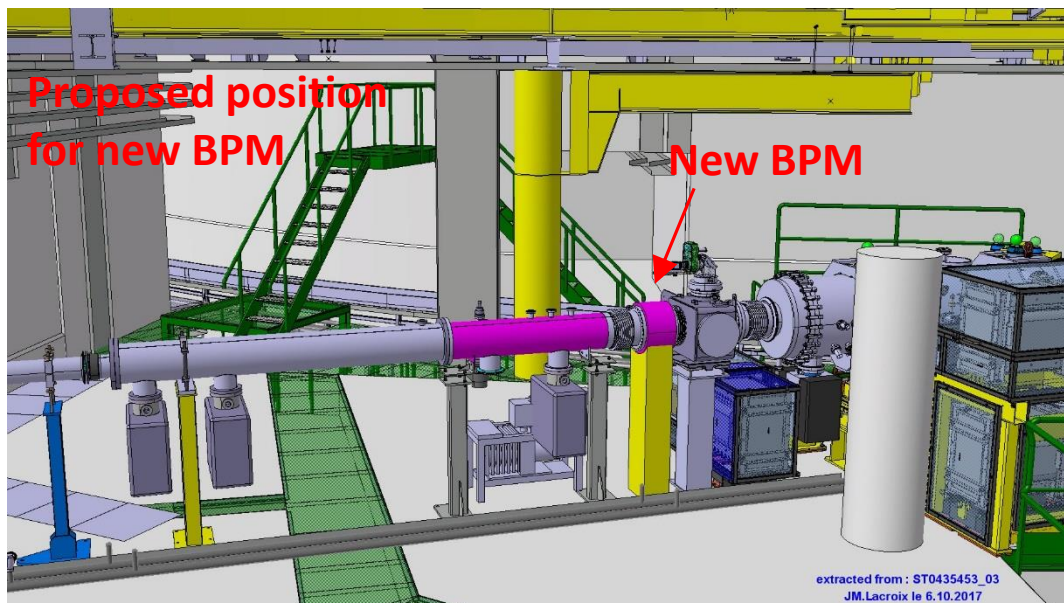
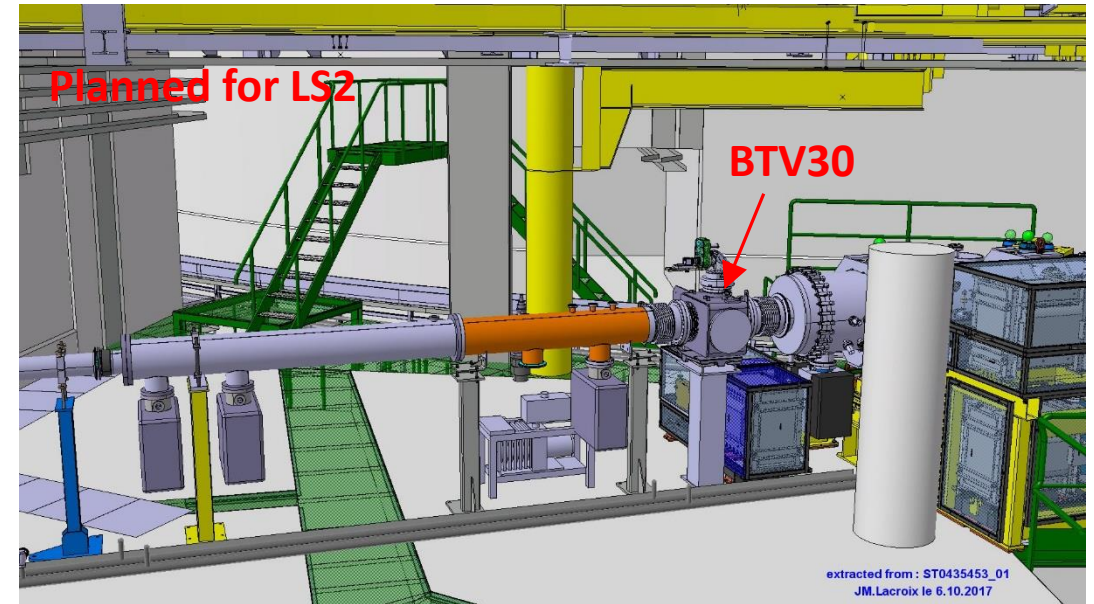
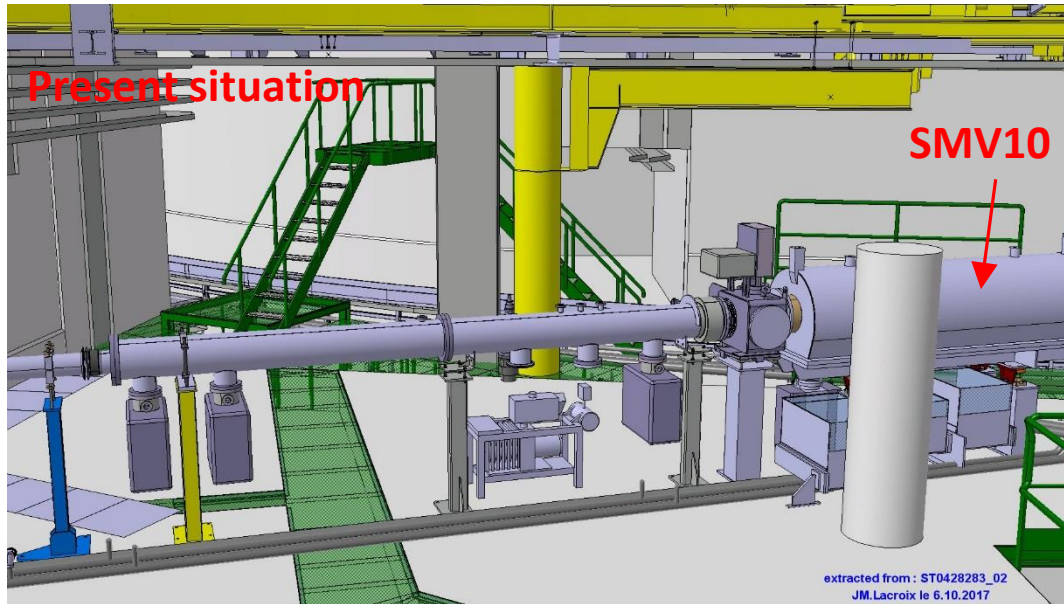


Integration of additional BPM in BI line



- New BPM to be installed as close as reasonably possible upstream SMV10.
- Chamber upstream BTV30 is anyway foreseen to be cut for LS2 changes.
- Proposal: Cut 220 mm more for BPM and install BPM upstream of BTV30.
- Proposal to be presented in ICL meeting on 18.10.
- Advice from TE-VSC needed.
- Space reservation request in preparation.