

# SFT News

Group Meeting, 10 October 2017

---

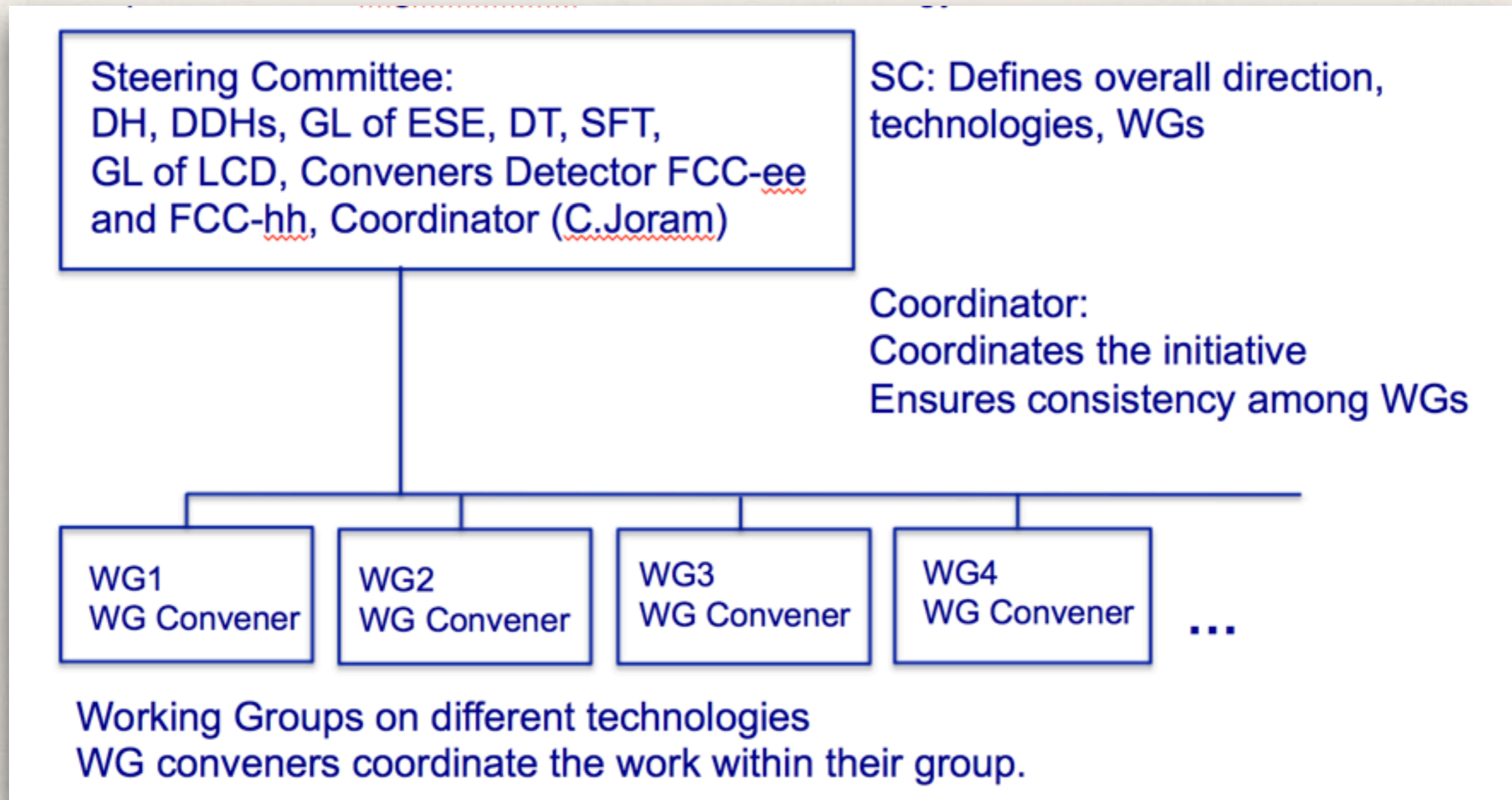
*Date*

# R&D on Experimental Techniques

- ❖ An initiative by the EP management to define R&D on Experimental Techniques in EP for the period 2020 - 2025 (- 2030)
- ❖ Scope:
  - ❖ Define the R&D strategy for experimental techniques for future experiments: future colliders, fixed target experiments, future LHC experiment upgrades, new (unconventional) ideas
  - ❖ R&D on Detectors, Electronics, **Software**
  - ❖ Identification of key technologies (with CERN experience)
  - ❖ Definition of a roadmap with milestones and prototypes to be developed
  - ❖ Define funding requirements
  - ❖ Proposal for the organization of R&D within EP

# Timeline and Organization

- ❖ Timeline: kick-off meeting in 2017, final document end of 2018



# Initial Proposals for WGs

---

- ❖ Silicon Detectors
- ❖ Gas Detectors
- ❖ Calorimetry
- ❖ Detector Integration
- ❖ IC Technologies
- ❖ High speed Links
- ❖ Software for Experiments
  - ❖ new techniques for simulation and reconstruction, customizable turn-key systems, new HW/SW technologies
- ❖ Detector Magnets
- ❖ ...others can be added