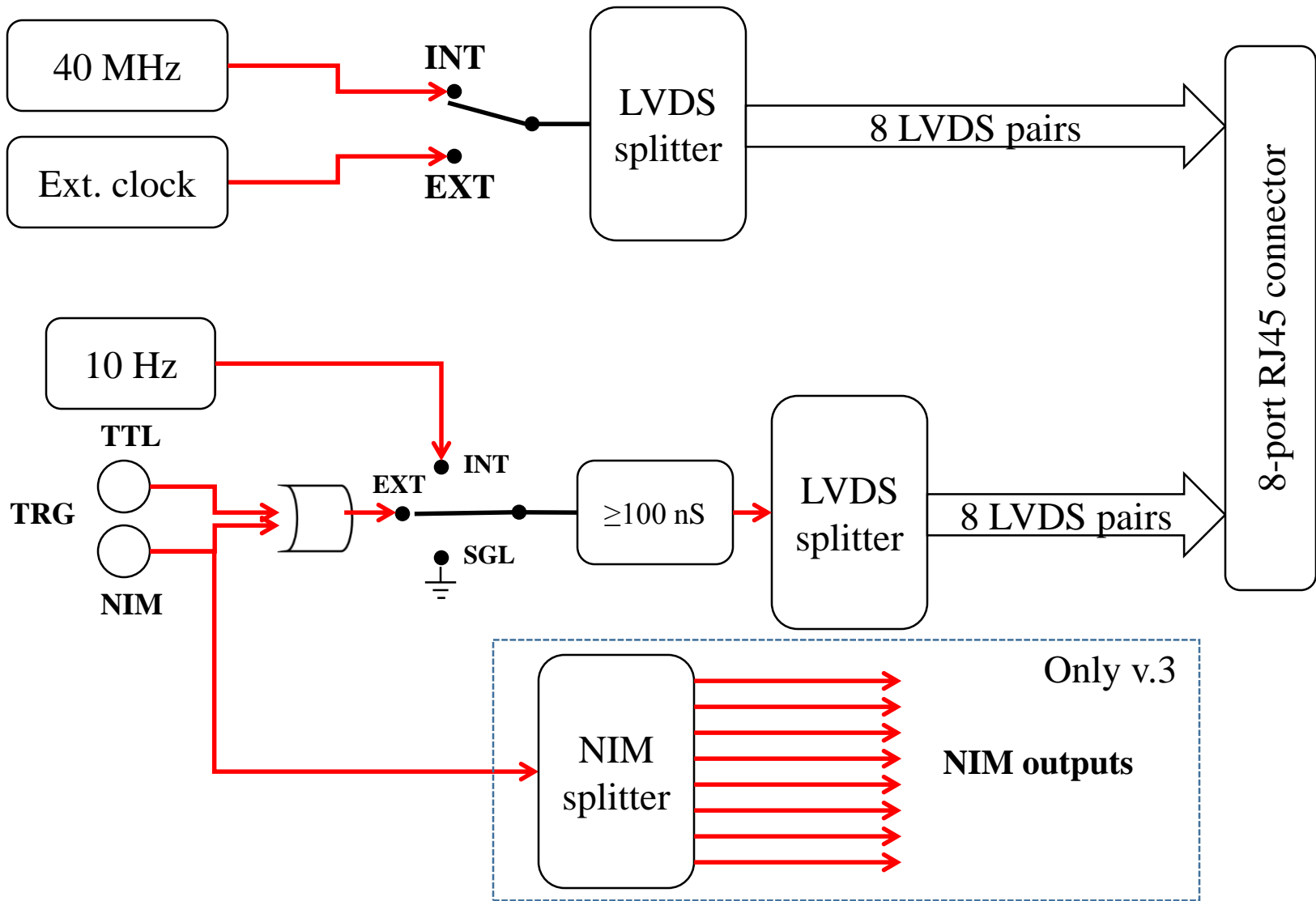
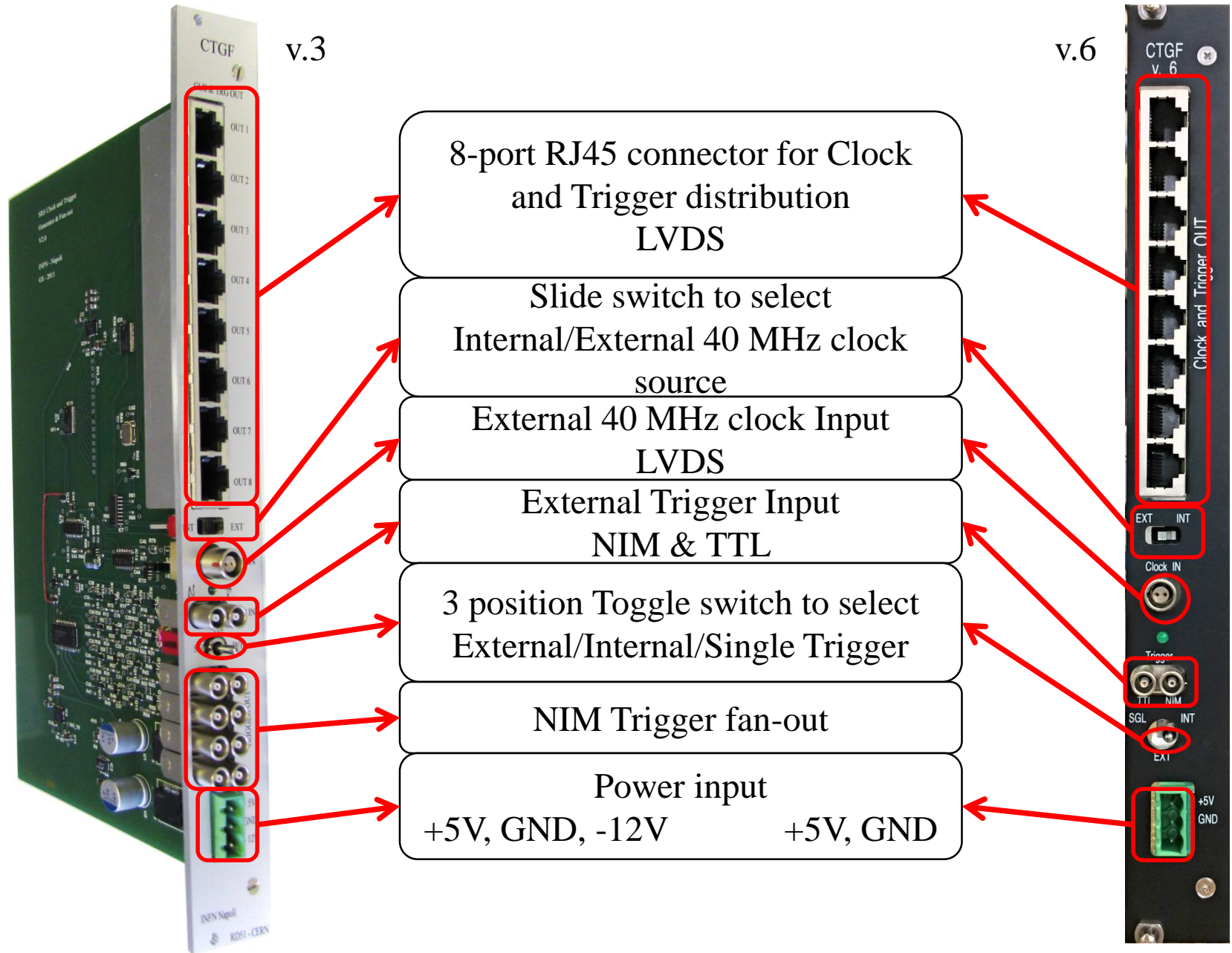


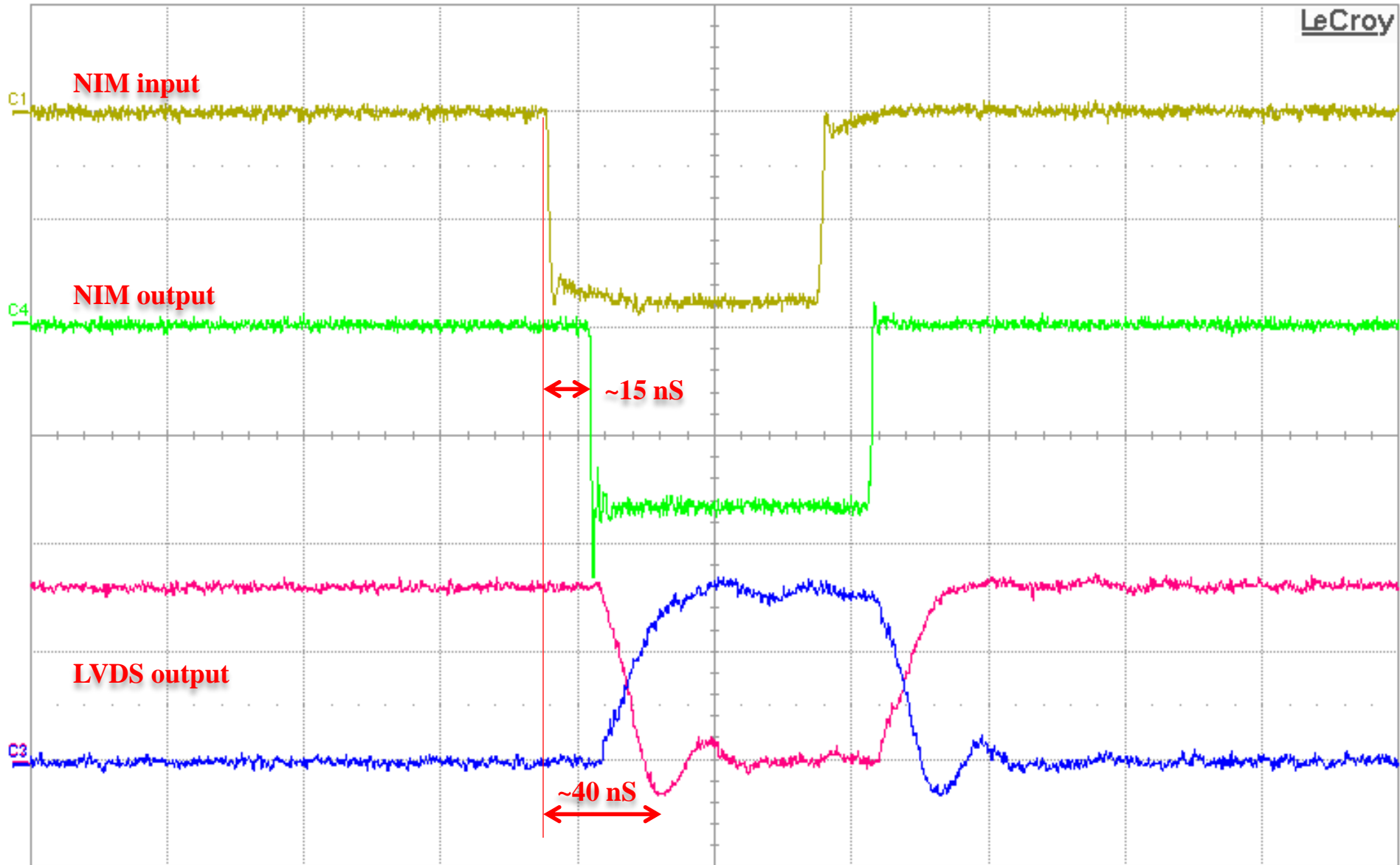
# CTGF

Clock and Trigger  
Generator and Fan-out  
for  
Scalable Readout System

# CTGF block-diagram







<b>C1</b>	<b>DC50</b>	<b>C2</b>	<b>DC1M</b>	<b>C3</b>	<b>DC1M</b>	<b>C4</b>	<b>DC50</b>
500 mV/div		2.00 V/div		2.00 V/div		500 mV/div	
1.495 V ofst		-6.080 V ofst		-6.100 V ofst		515 mV ofst	

Timebase	-60 ns	Trigger	<b>C1</b> DC
	50.0 ns/div	Norm.	-530 mV
	2.50 kS	5.0 GS/s	Edge Negative

