

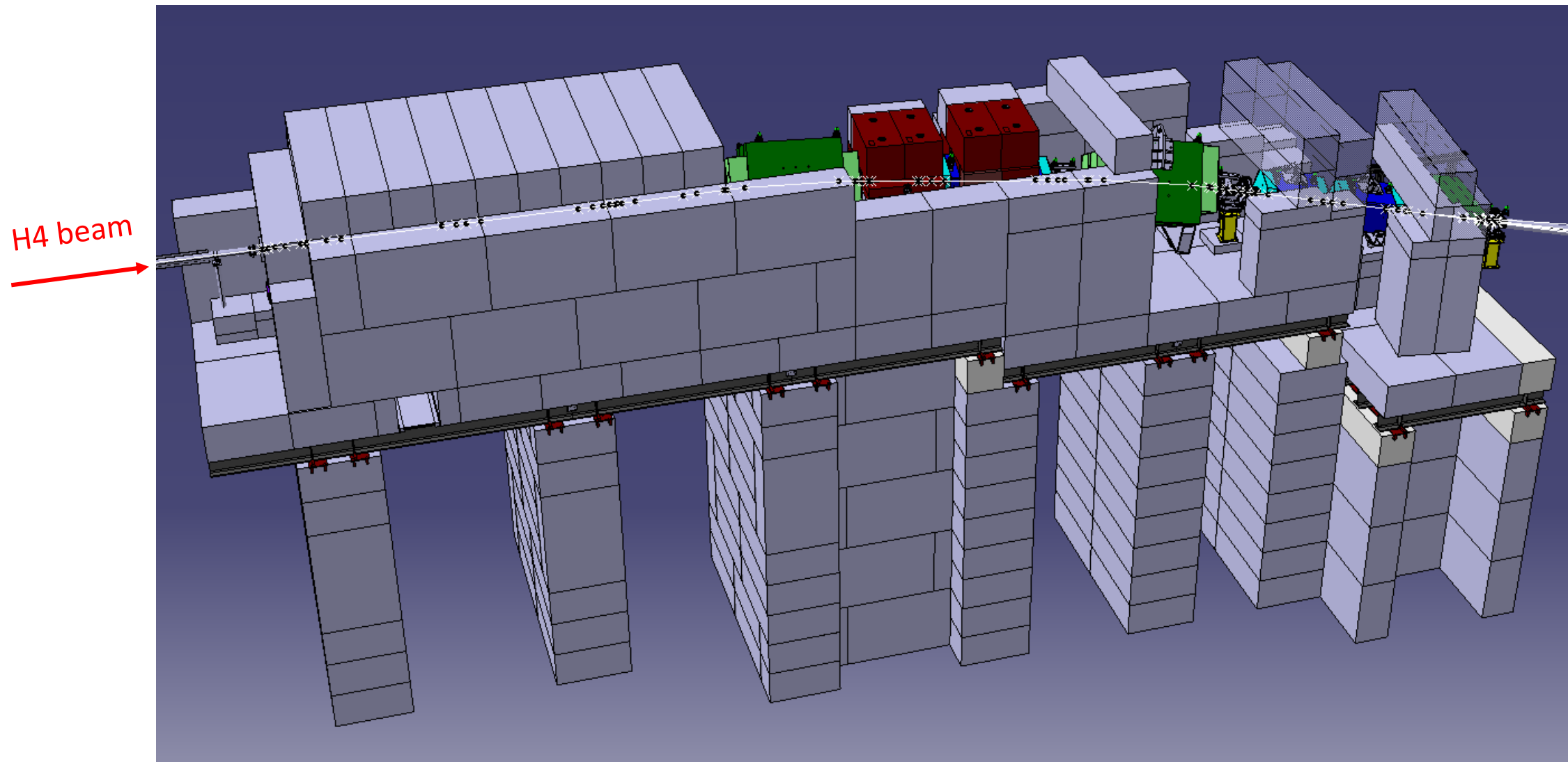
EHN1 extension

Platform quay for H4 beam line

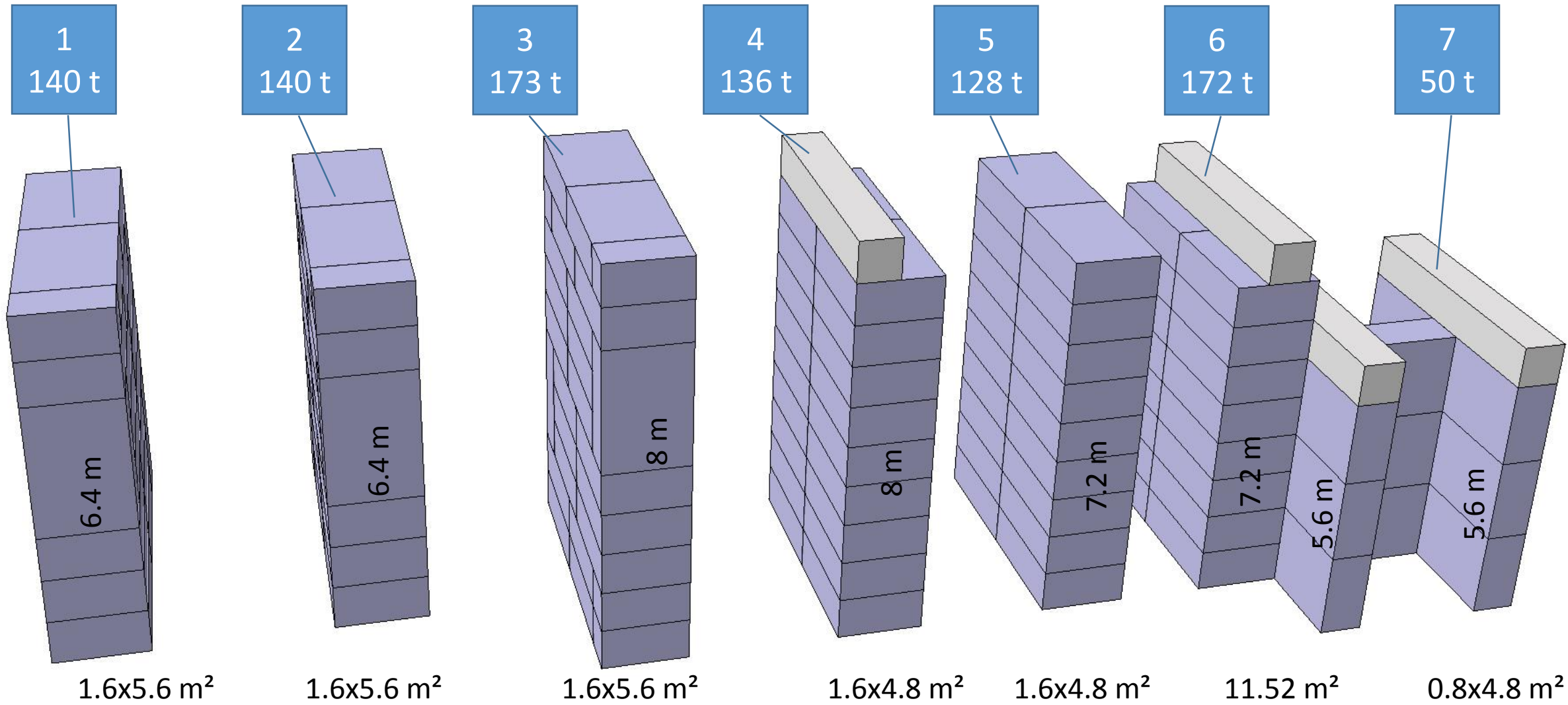
<https://edms.cern.ch/document/1729183/>

S. Girod

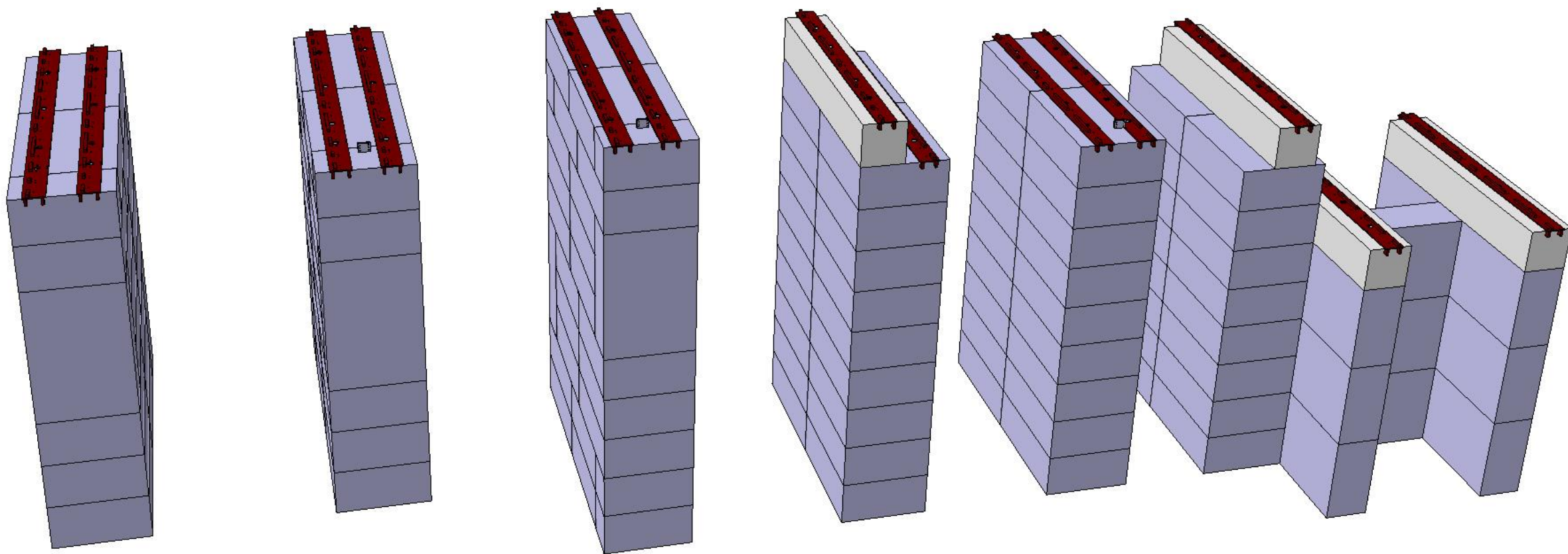
Overall view



7 concrete blocks pillars: 939 t



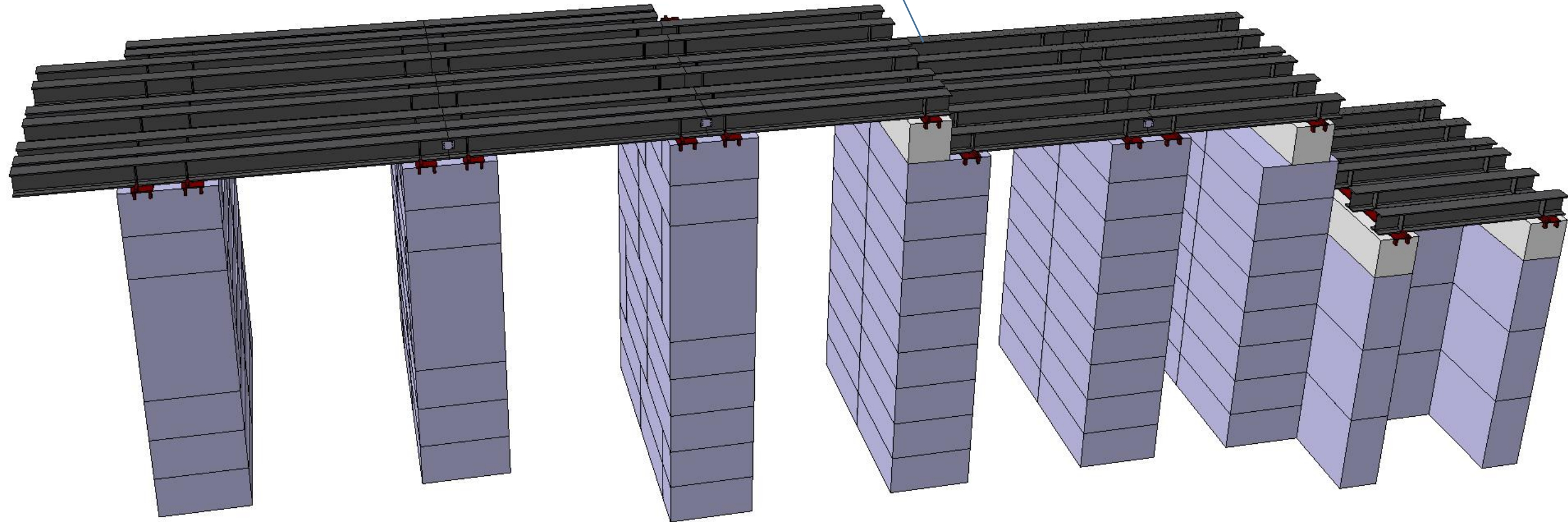
steel basement for HEB 400: 6.4 t



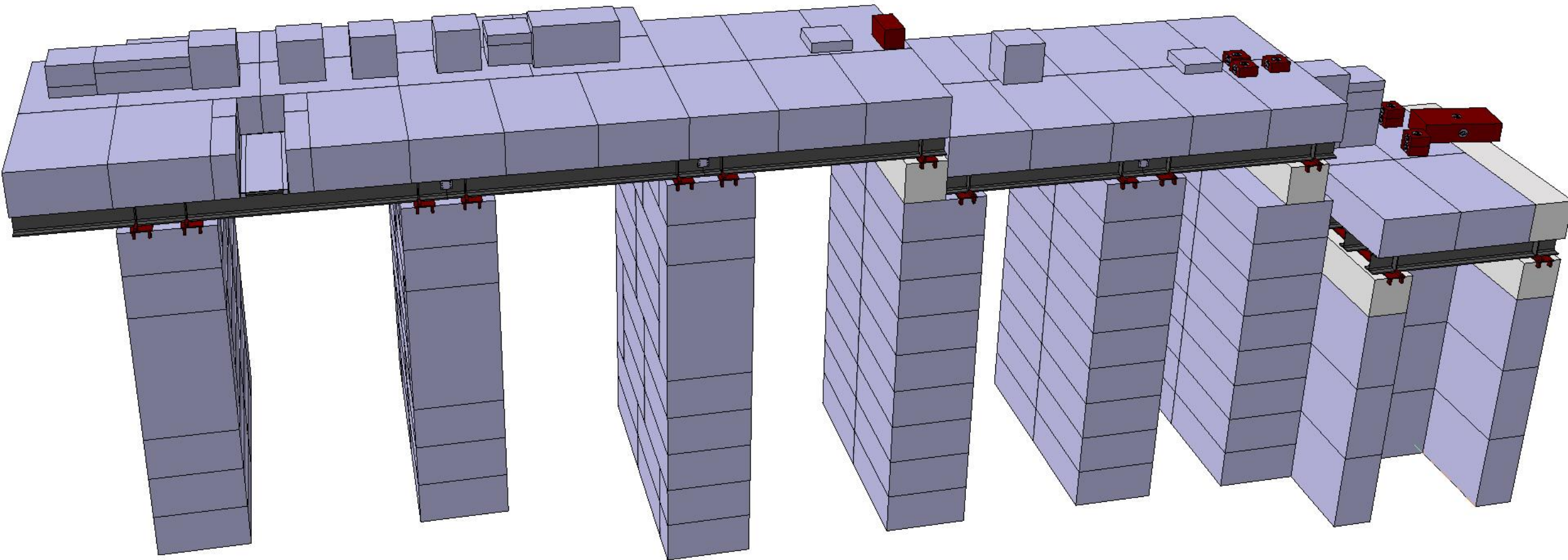
Steel profiles HEB 400: 27 t

HEB 400mm

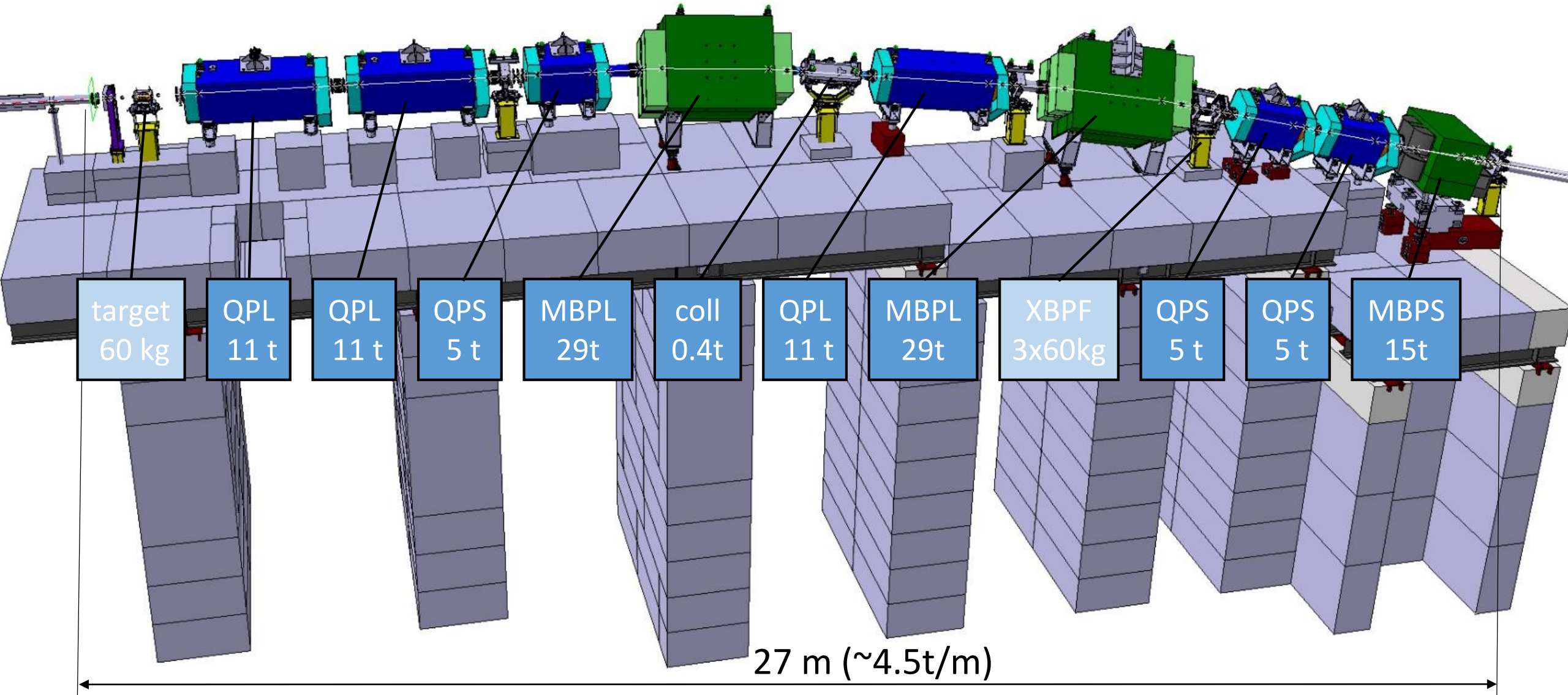
Steel profiles calculation [EDMS: 1729183](#)



Tapis (0.8 m concrete layer): 273 t



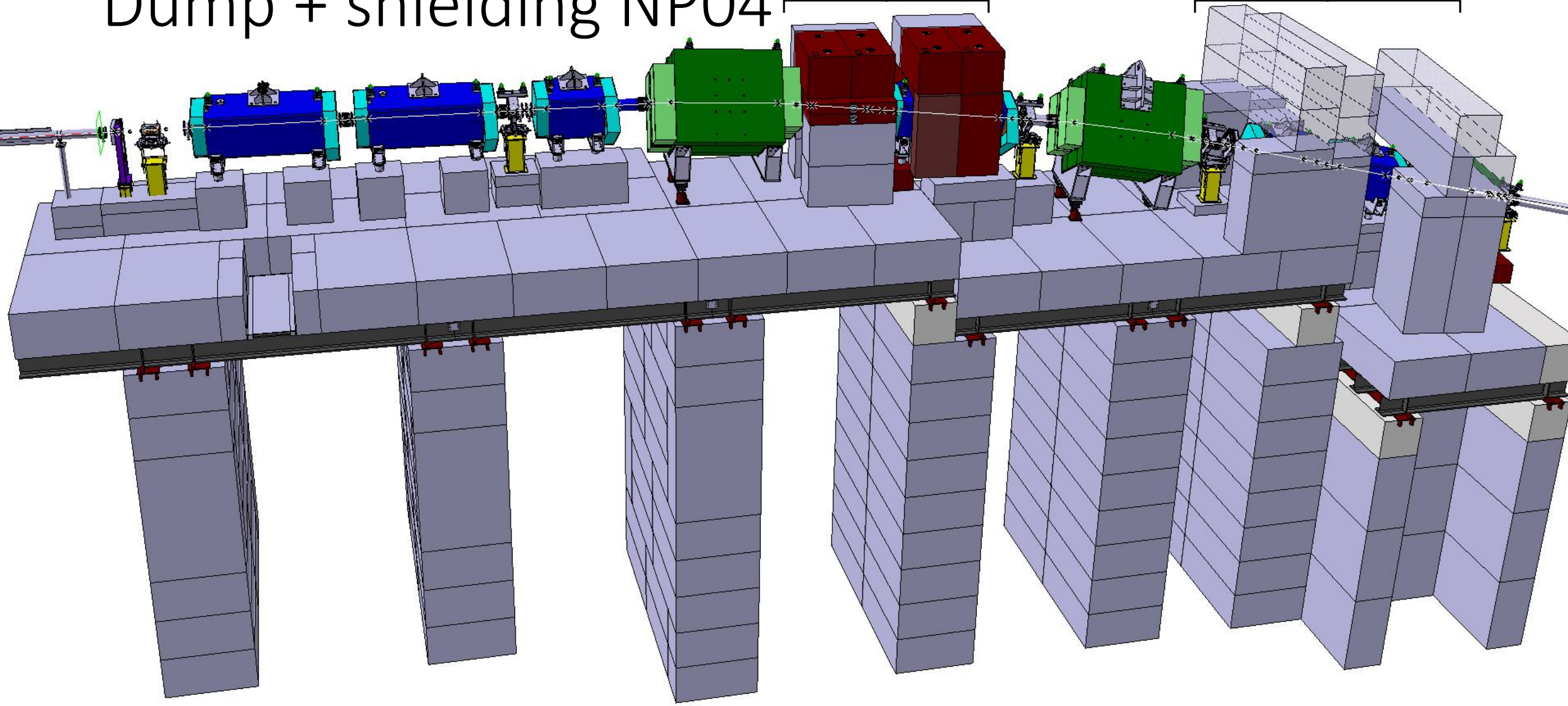
H4 beam line : 121 t



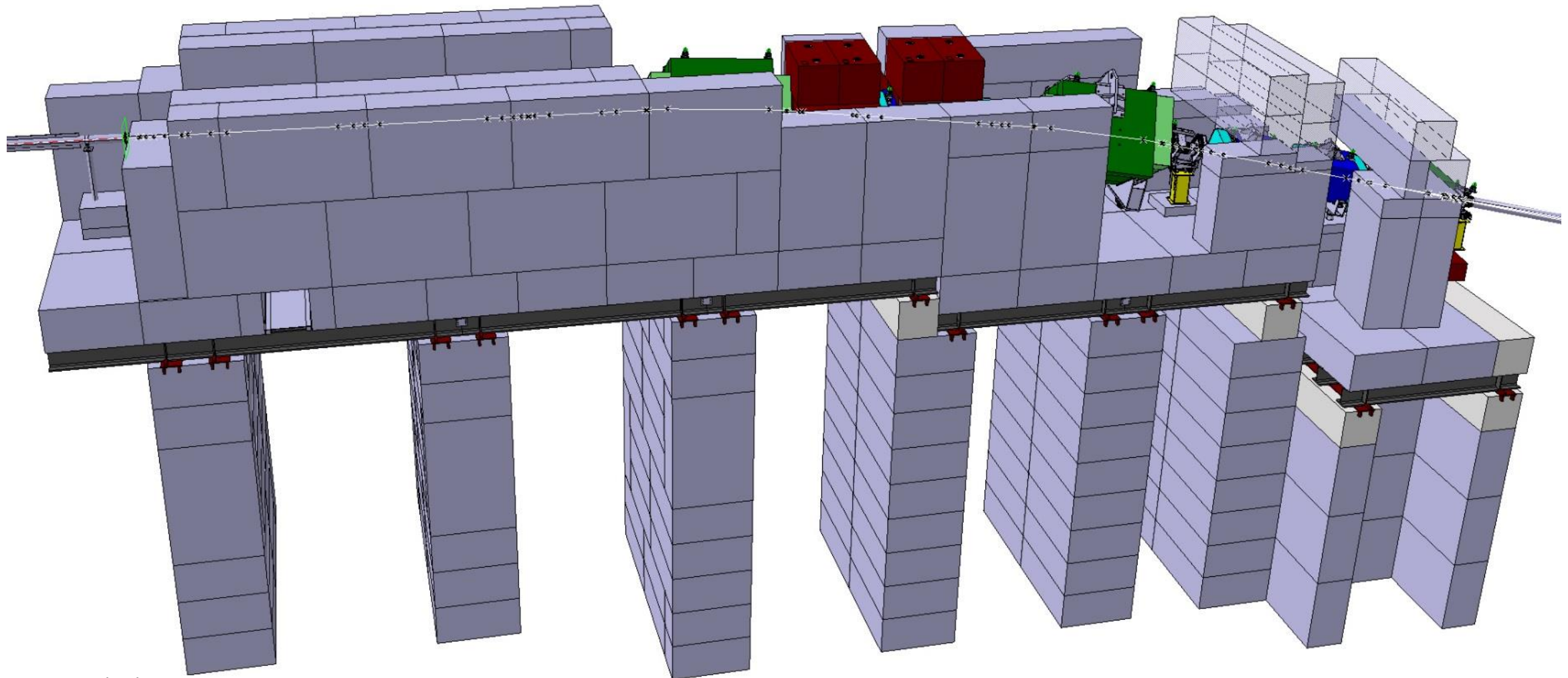
Dump + shielding NP04

100 t

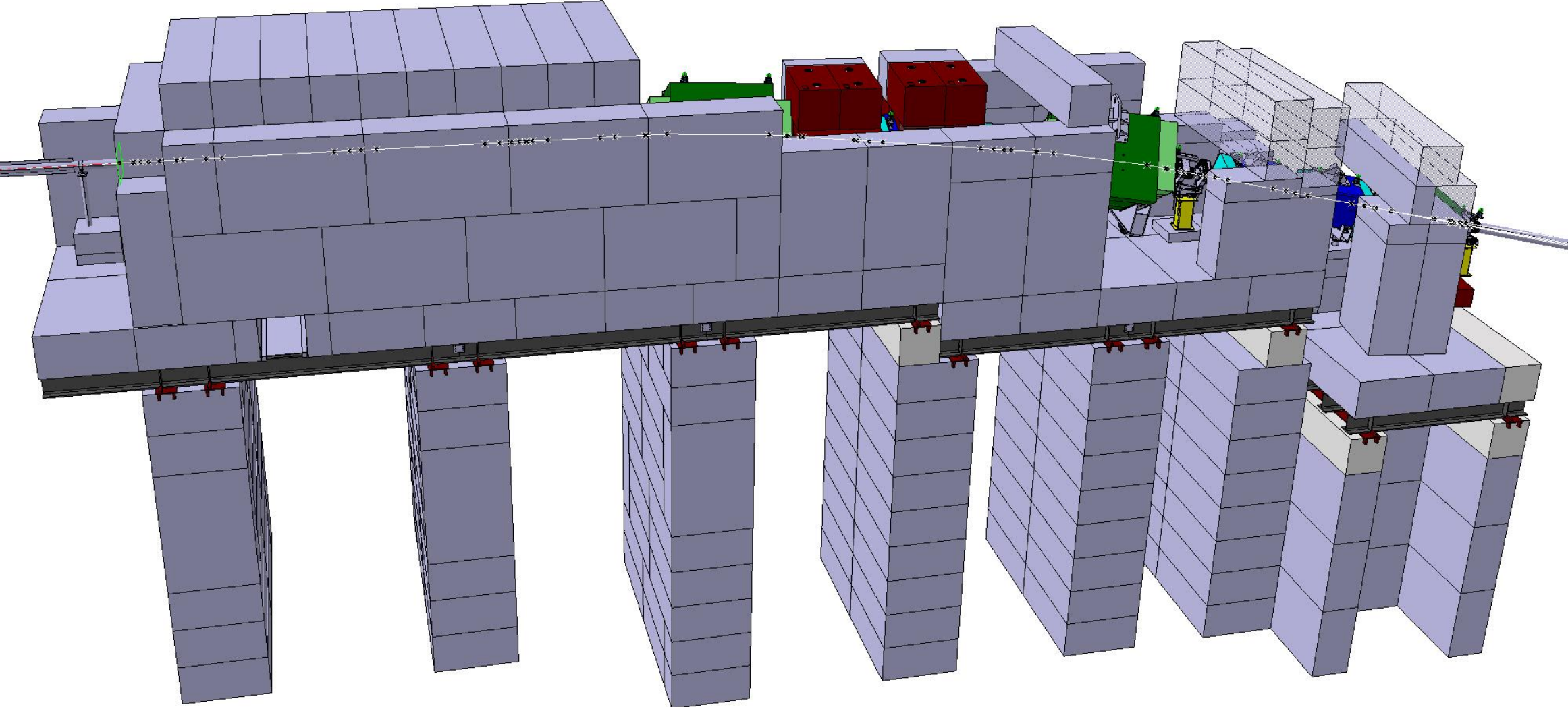
77 t



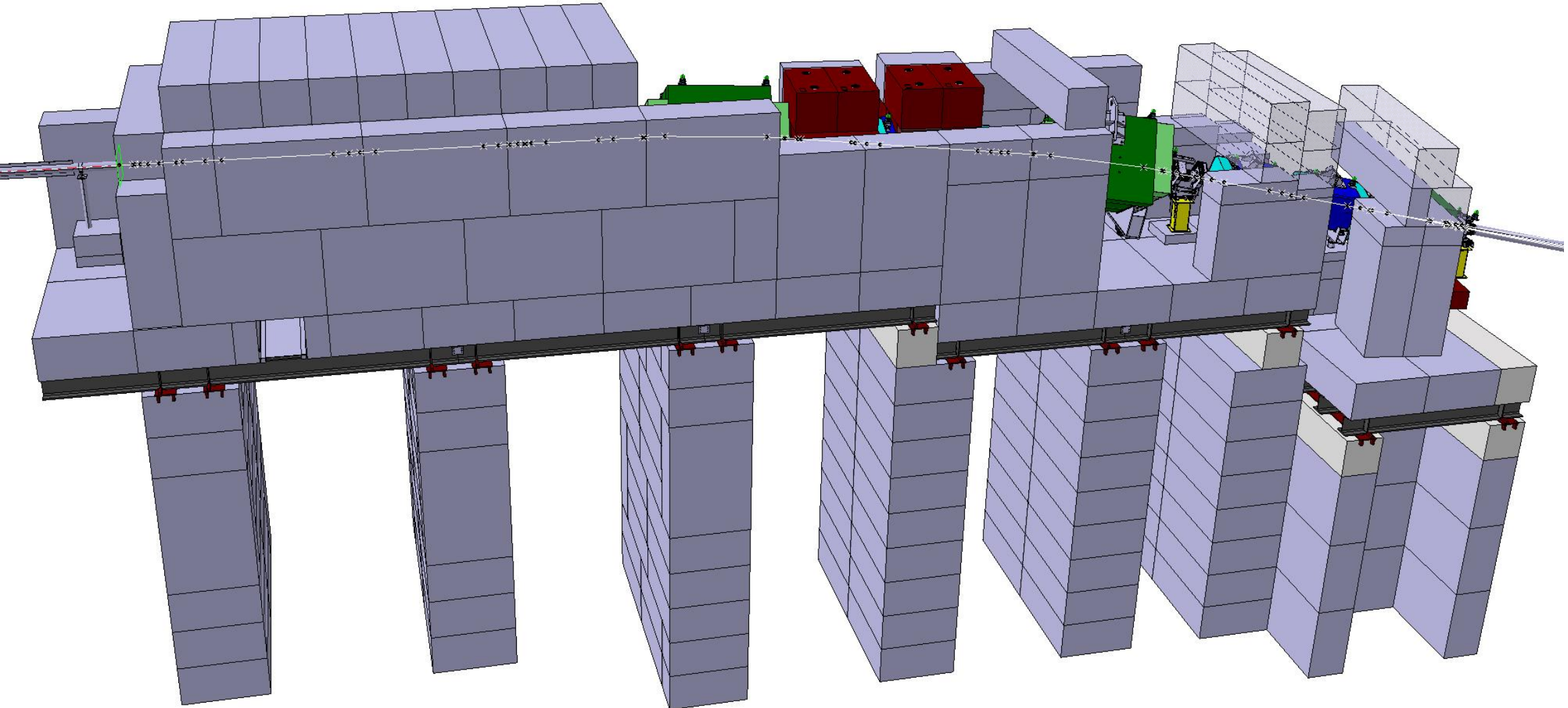
Lateral shielding: 305 t



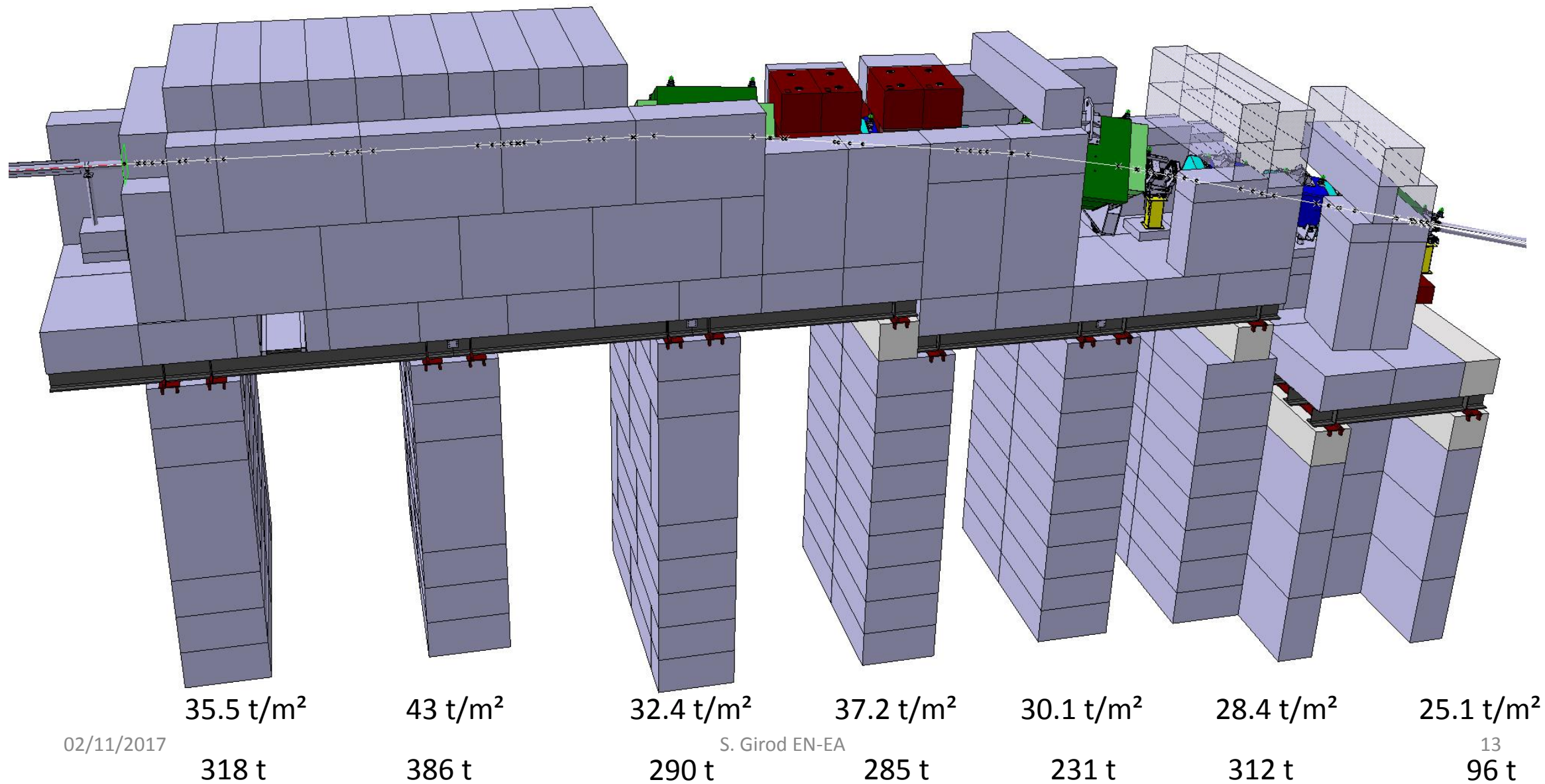
Top shielding: 73 t



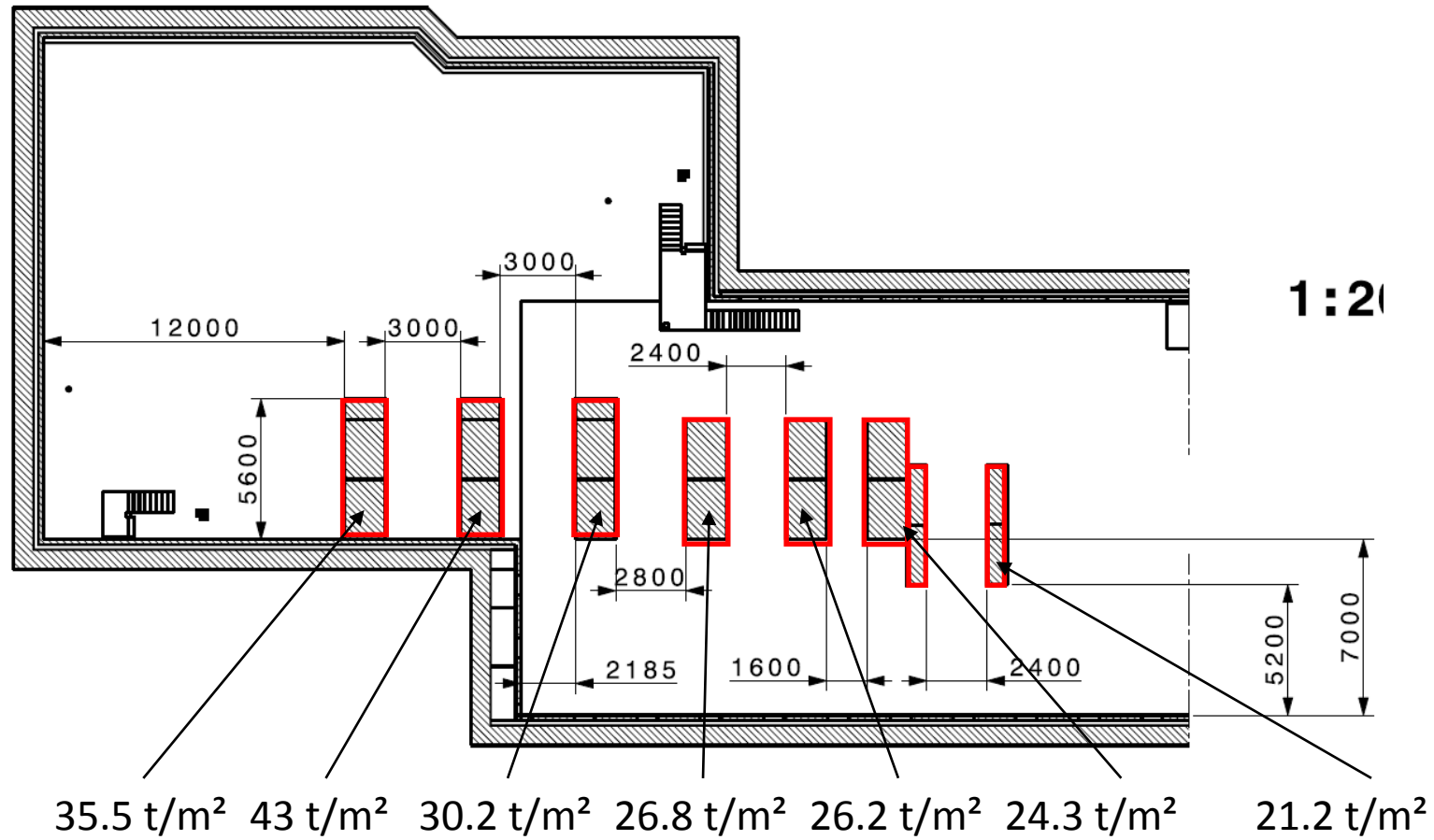
Total mass: 1927 t



Load on floor



Load on floor



Support for NP04 shielding

SPSXJSTR0152

Calculation, production &
installation: D. Parchet / Sarvadon

