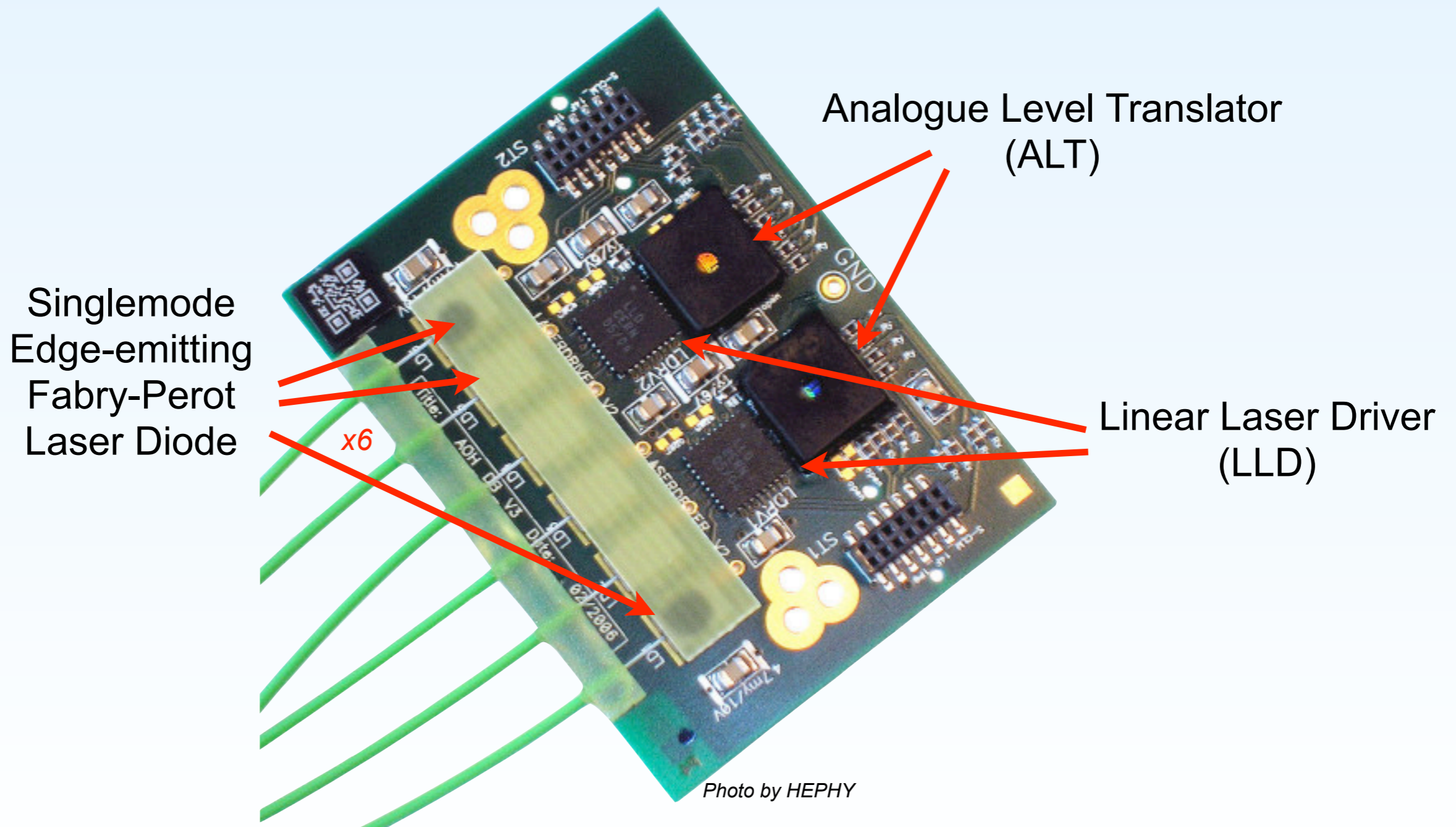


Current Pixel AOH

- Design by HEPHY based upon Tracker AOH
- Produced in Industry close to Vienna

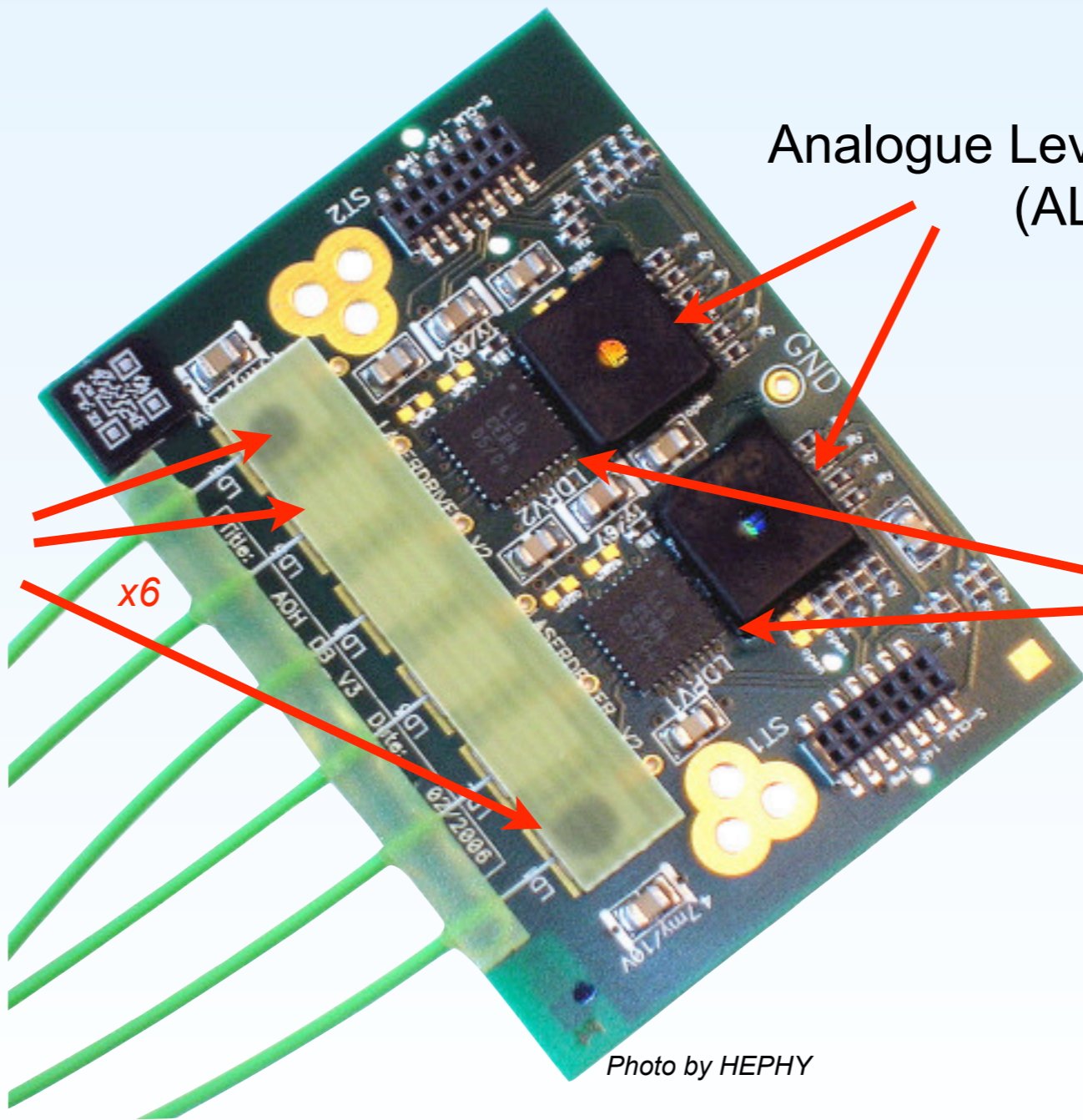


Current Pixel AOH

- Design by HEPHY based upon Tracker AOH
- Produced in Industry close to Vienna

NO LONGER AVAILABLE

Singlemode
Edge-emitting
Fabry-Perot
Laser Diode



Analogue Level Translator
(ALT)

Linear Laser Driver
(LLD)

x6

Can use
Versatile Link?

Photo by HEPHY

AOH and VTRx (same scale)

Pixel AOH - 6x Tx

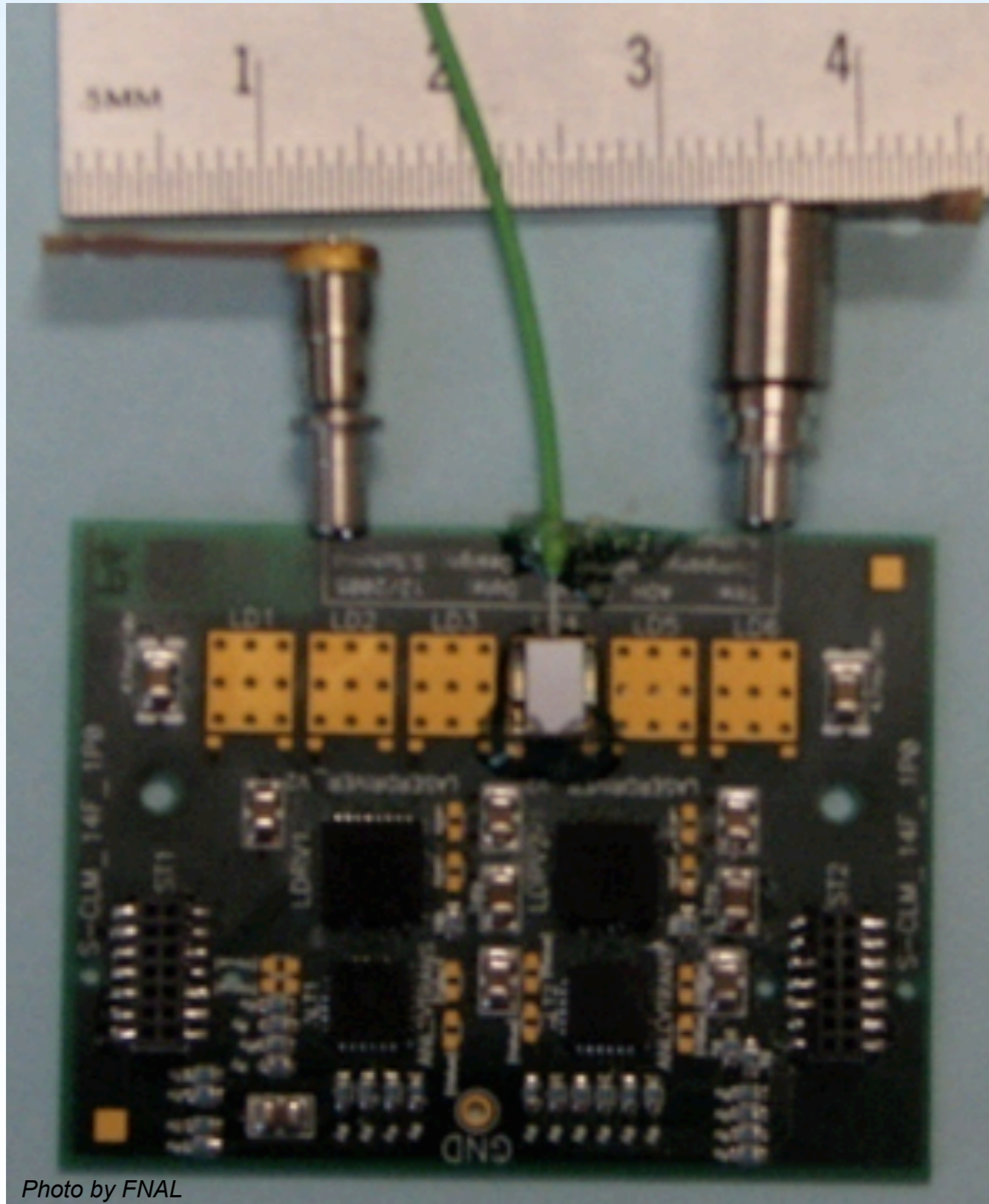
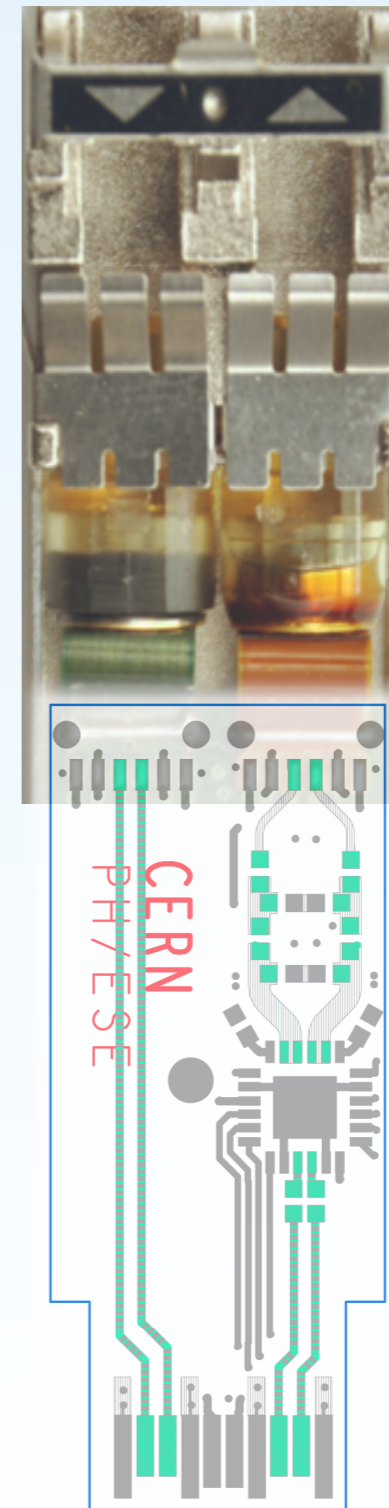


Photo by FNAL

Versatile Link Transceiver



AOH and VTRx (same scale)

Pixel AOH - 6x Tx

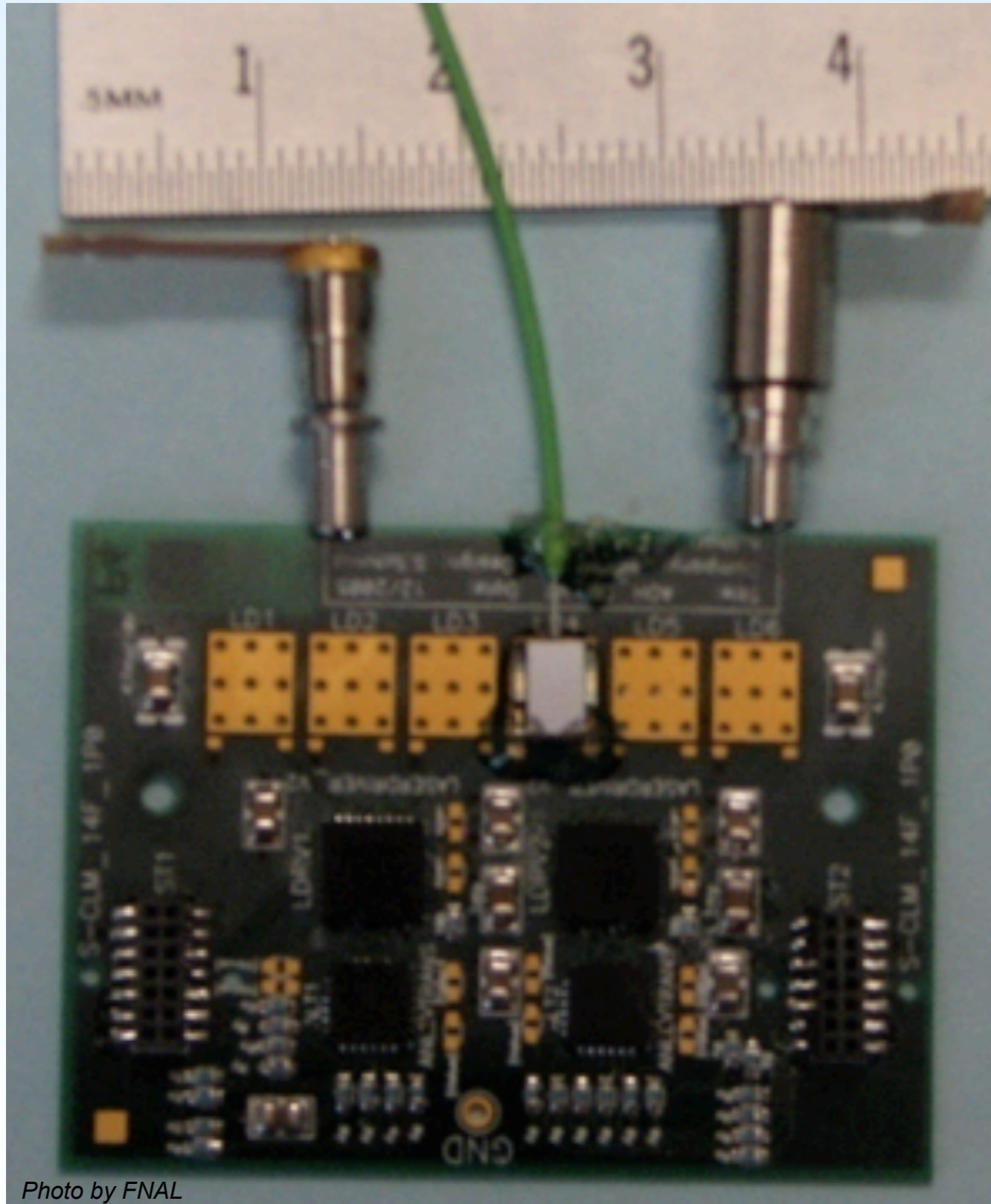
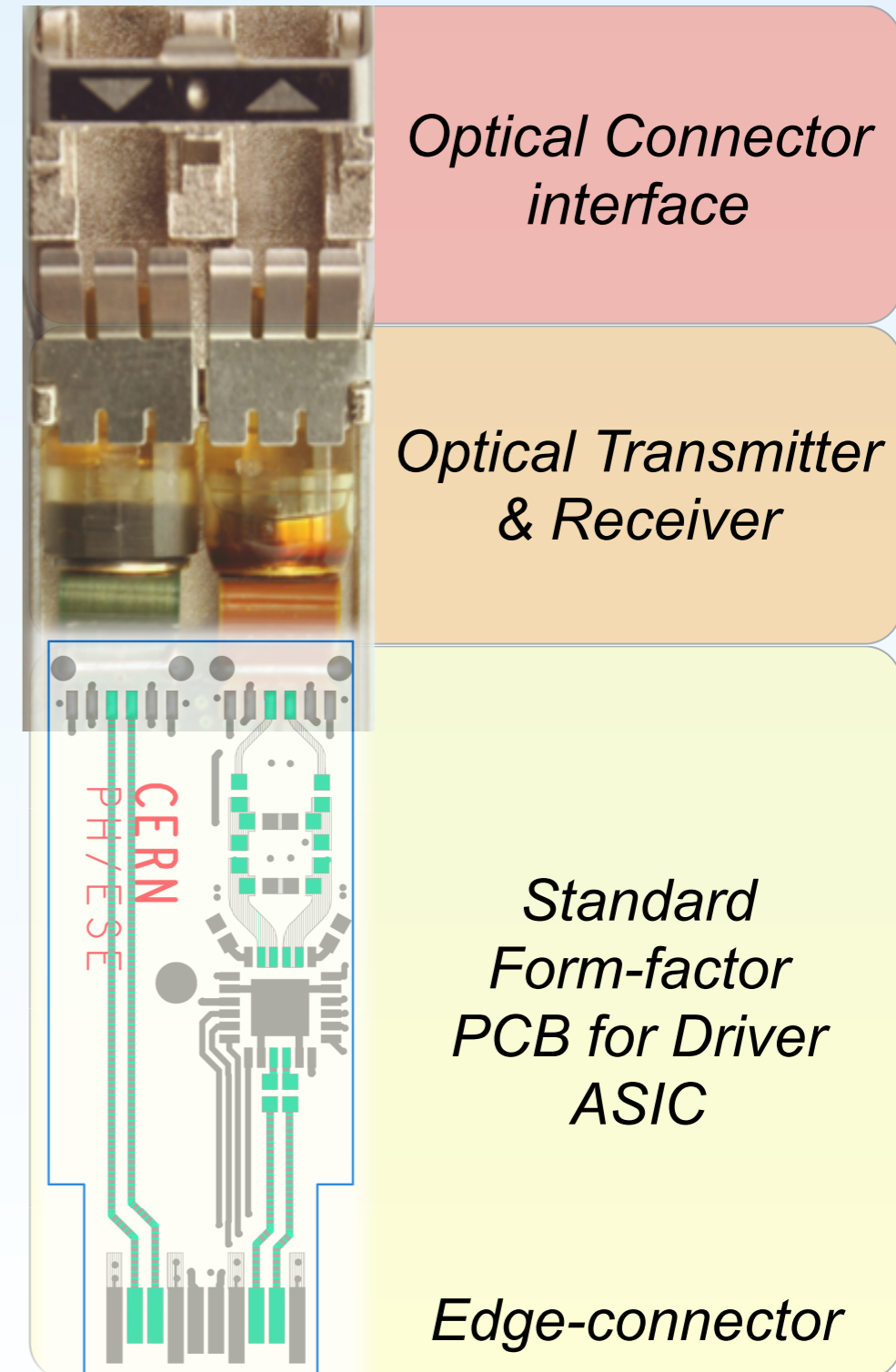


Photo by FNAL

Versatile Link
Transceiver



AOH and short 2xTx (same scale)

Pixel AOH - 6x Tx

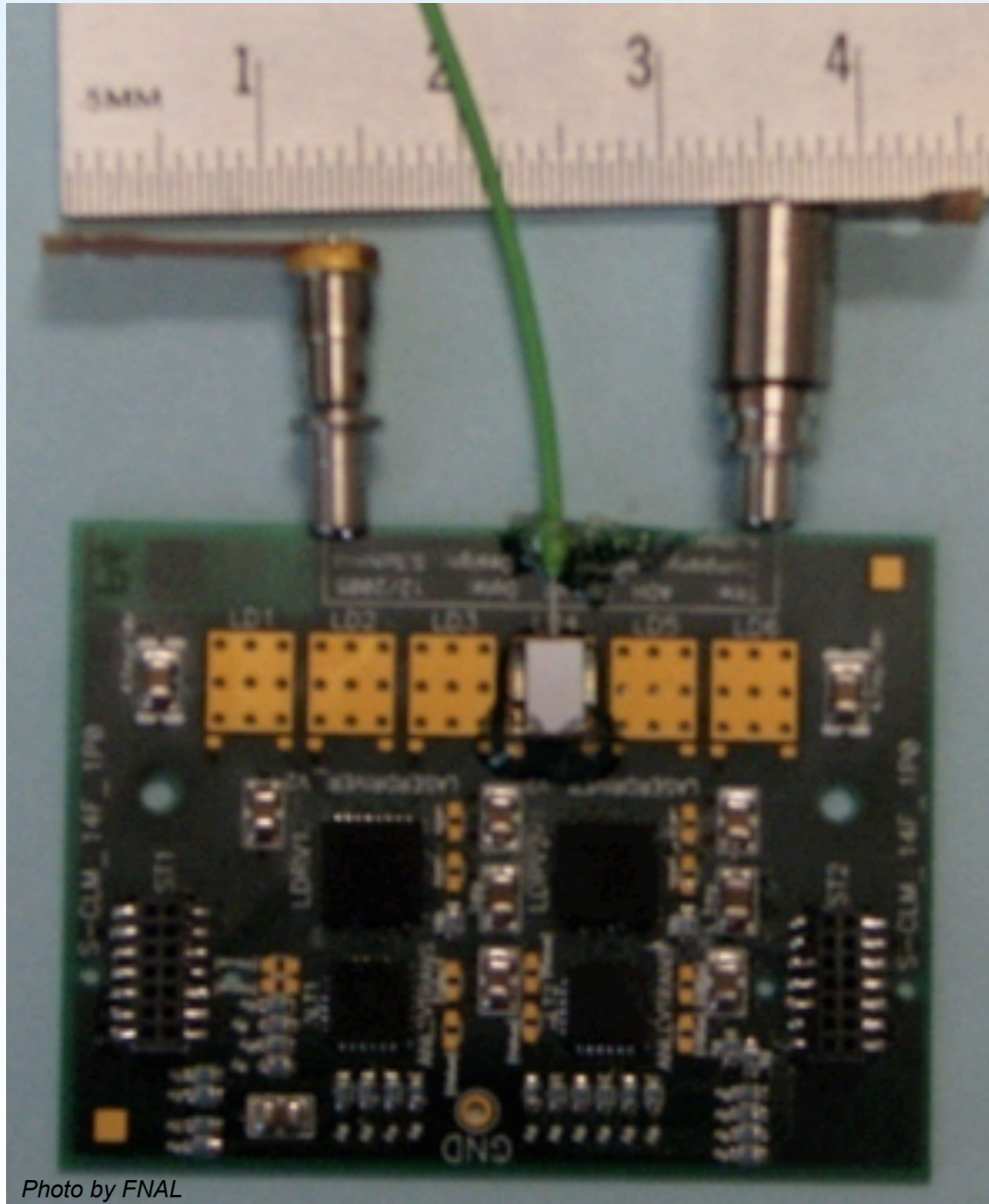
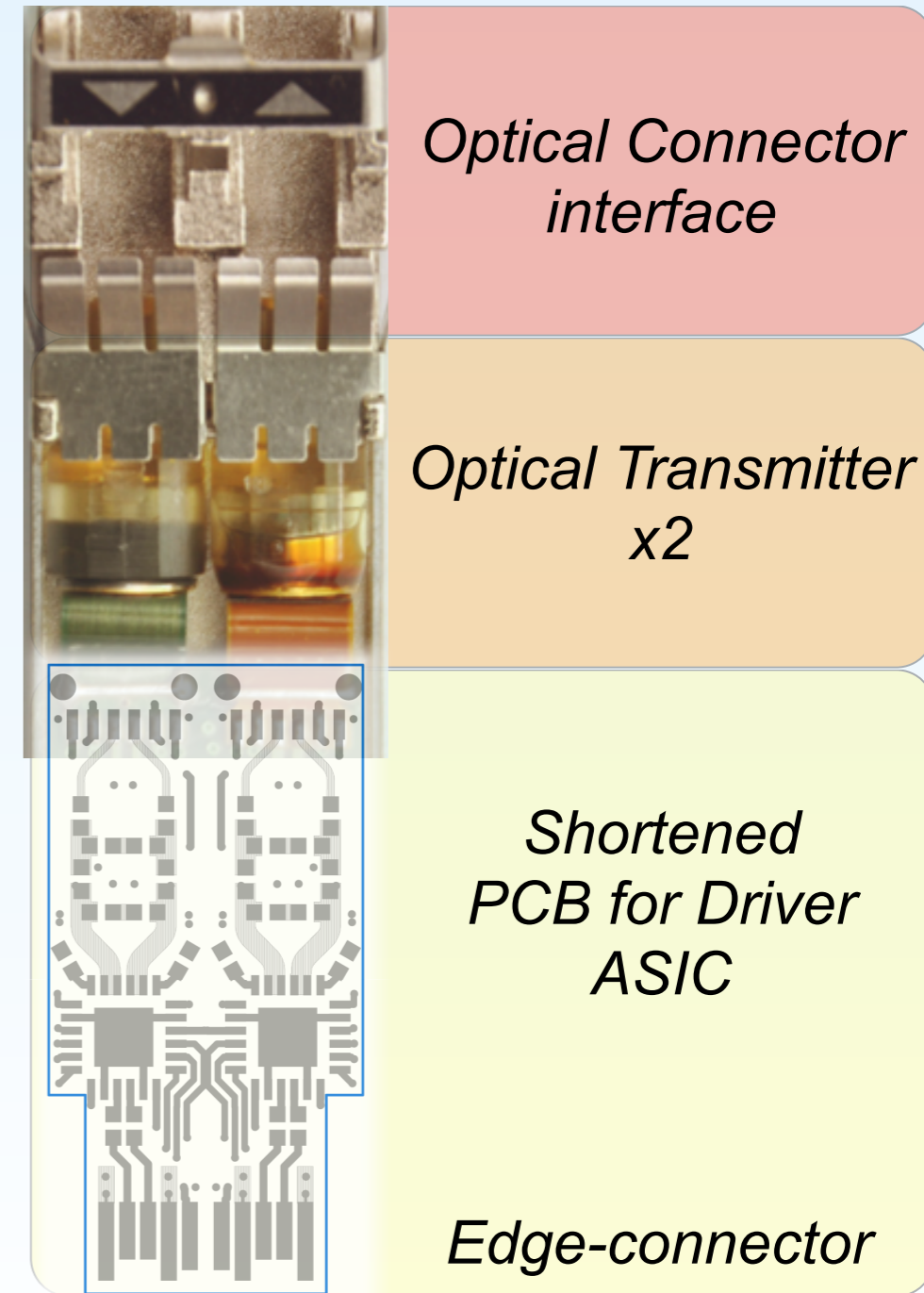
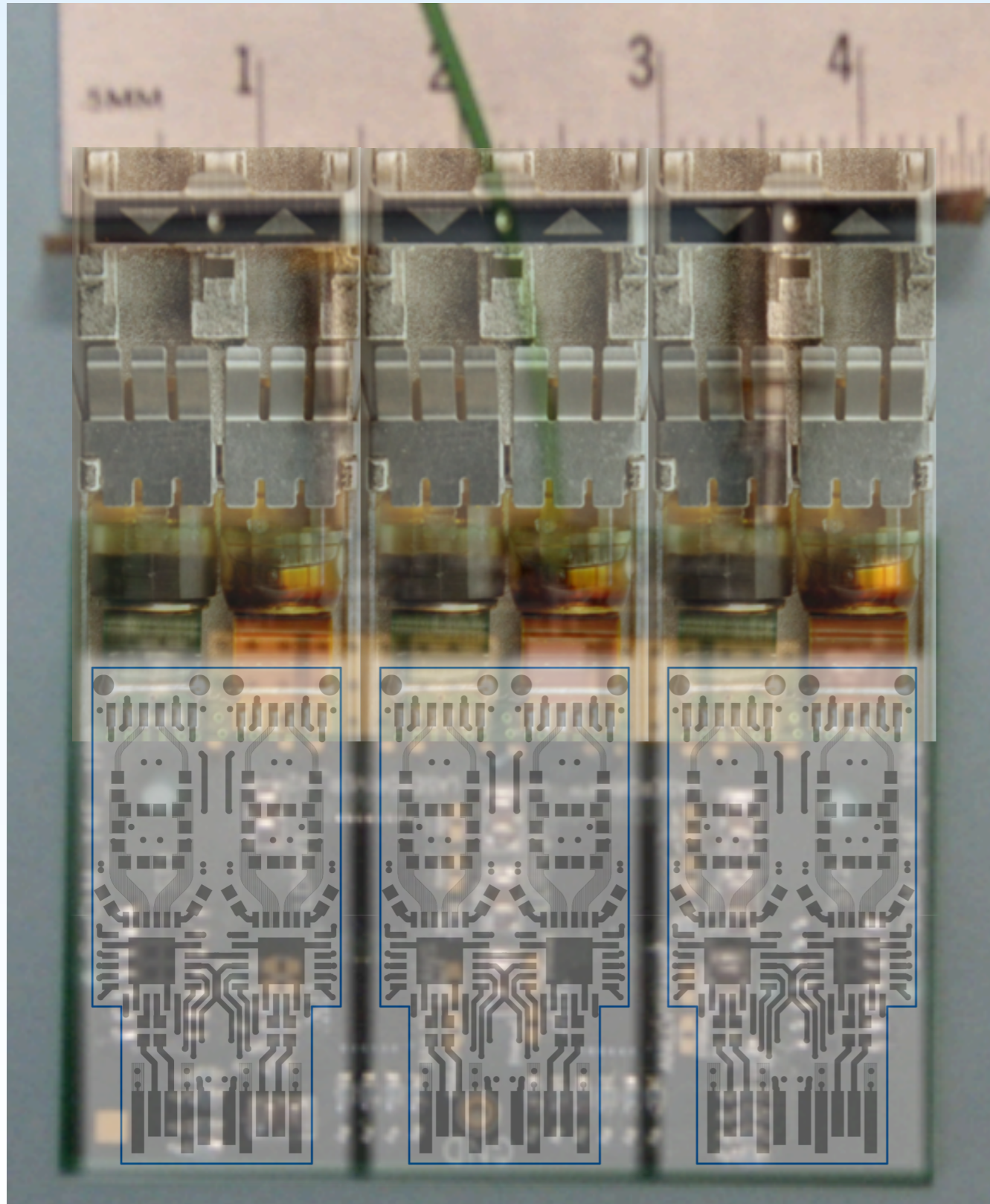


Photo by FNAL

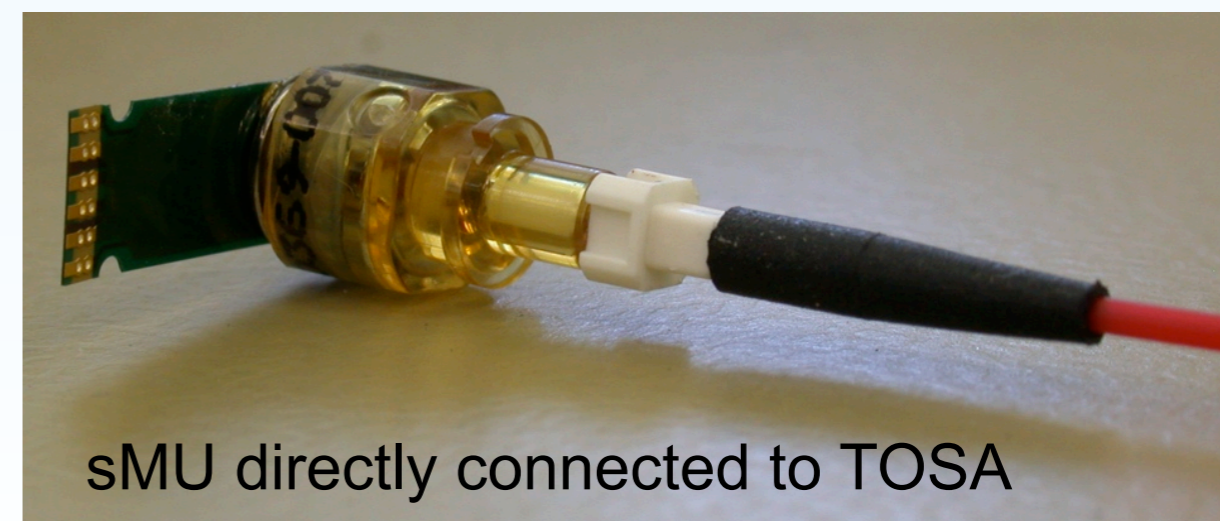
Versatile Link
Transceiver



Overlay to compare size



- Similar size, slightly longer
- Now have a connector interface at the optohybrid, making testing easier and the assembly less fragile
- Could simplify the connector interface

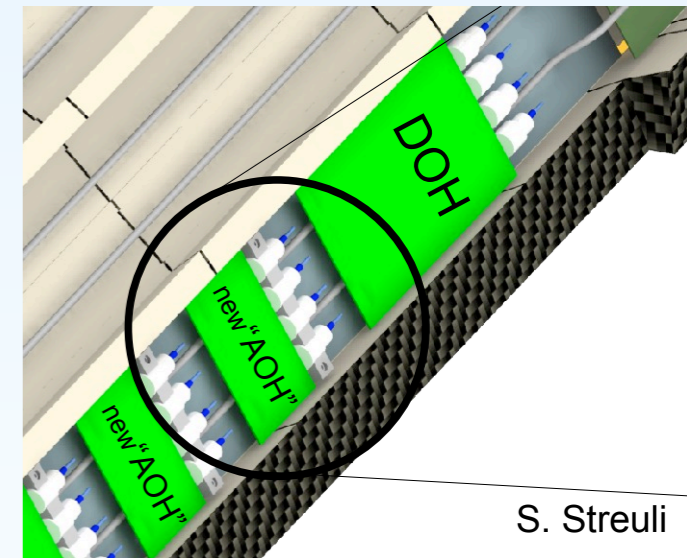
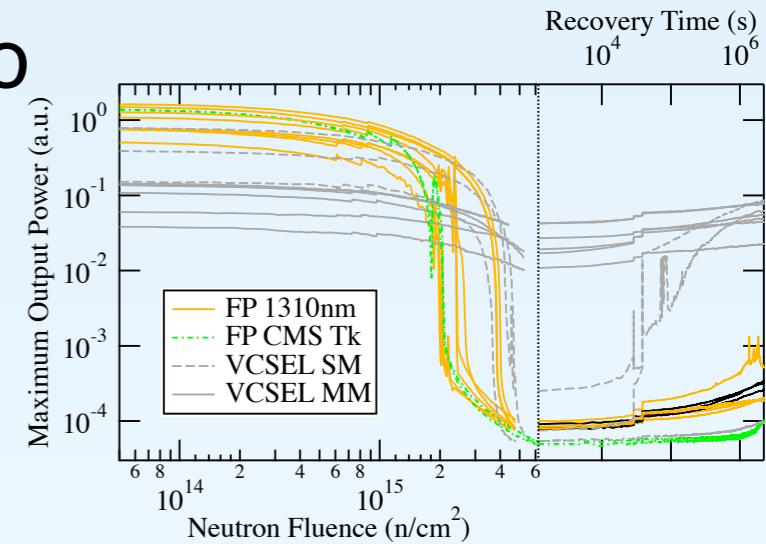


sMU directly connected to TOSA

Moving towards new Pixel OH

CERN

- Profit from work within Versatile Link project to identify a sufficiently radiation resistant packaged Laser (TOSA)
 - Present Laser die no longer produced and not available
- Design and build a prototype OH to check signal integrity, matching of new laser to existing laser driver (LLD)
 - Dimensionally compatible with current mechanical design
 - Include ALT?



FNAL

- Fully characterize design inc. system test, thermal management
- Produce, Test, QA