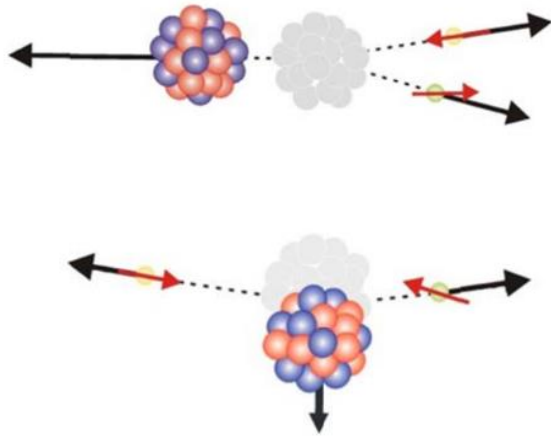


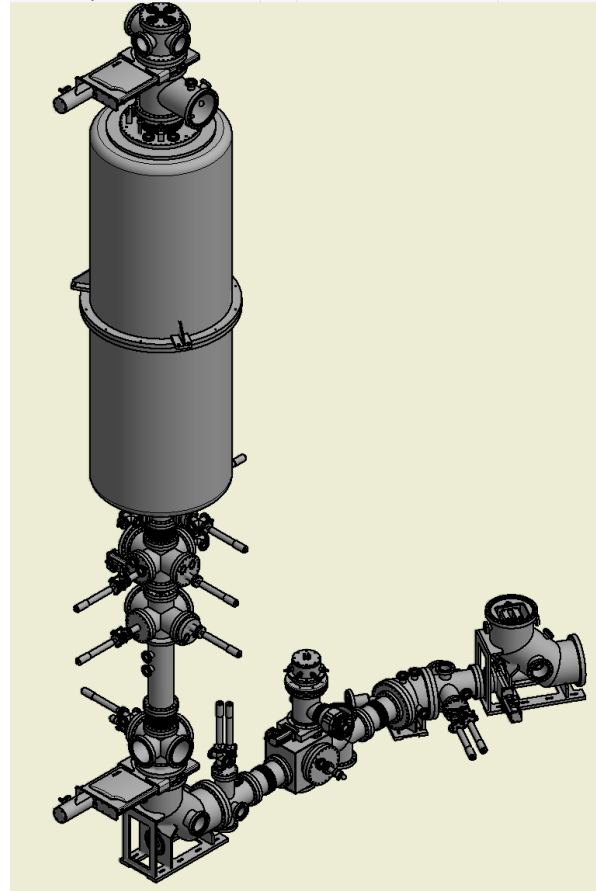
WISArD

Sara Wallman, Anja Zhou
with supervisor Andree Welker

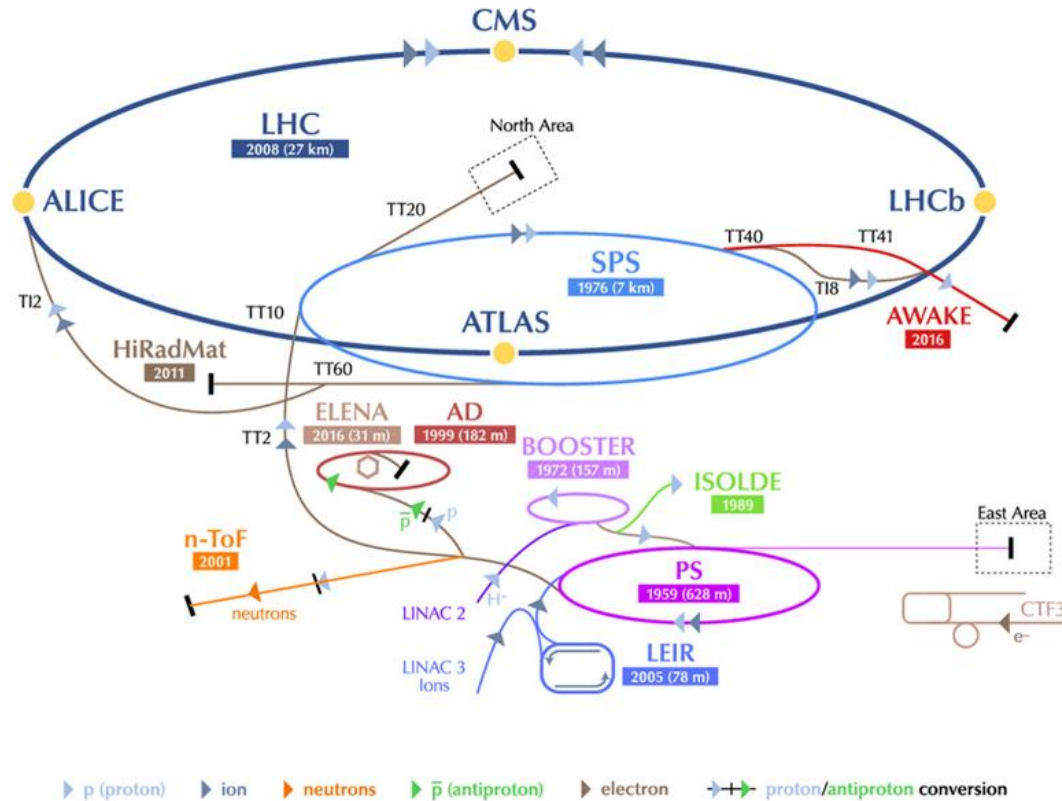
WISArD



CERN-INTC-2016-050 ; INTC-I-172



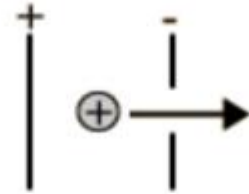
isolde.cern.ch



isolde.cern.ch

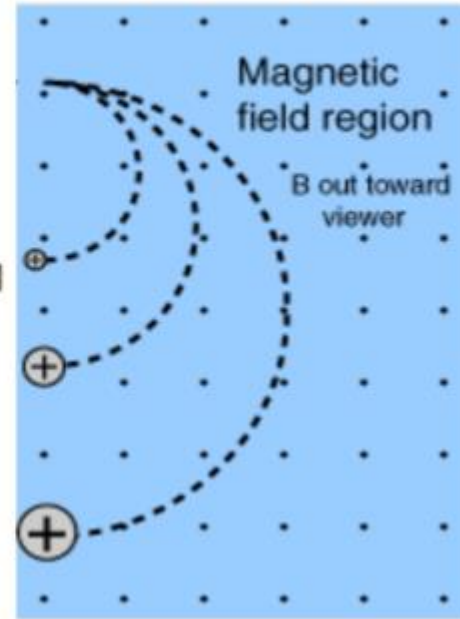


Ionization



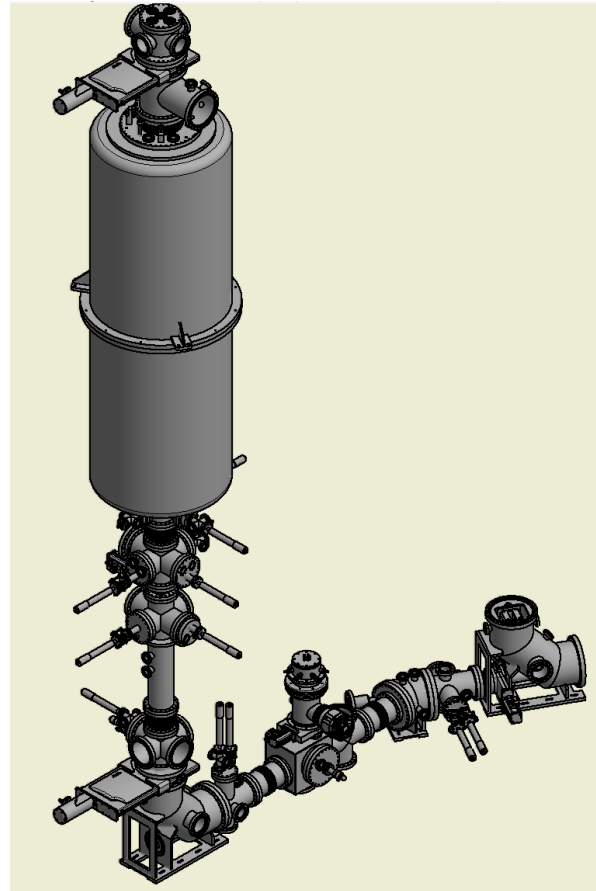
Accelerating
voltage applied

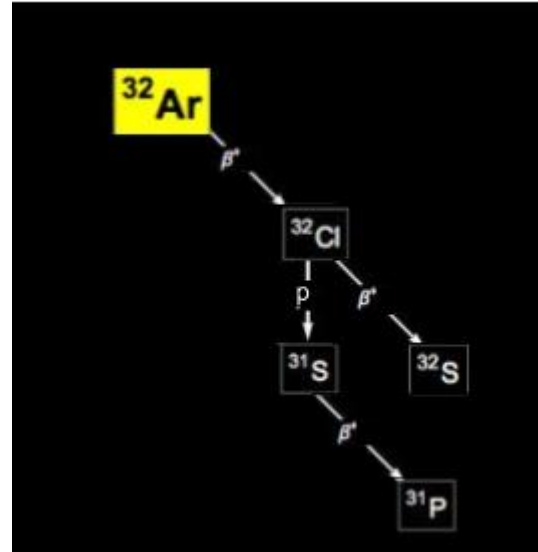
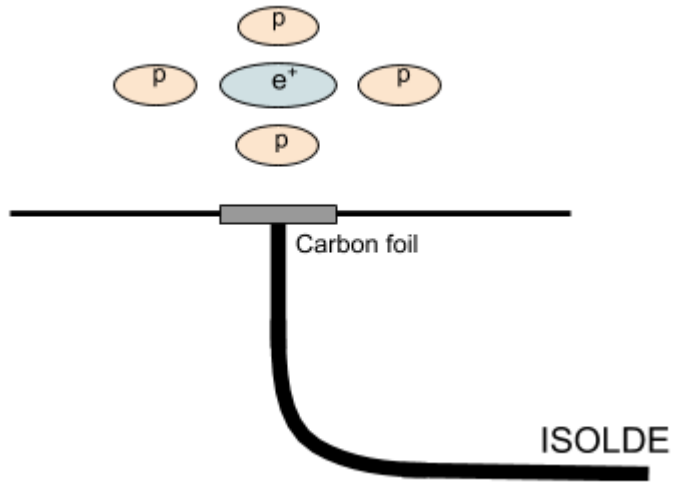
U



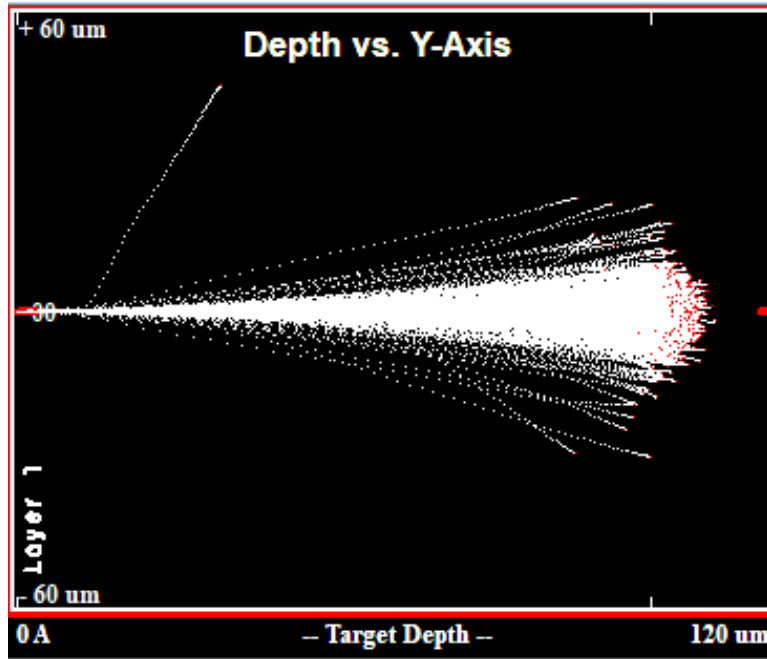
To
experiments

WISArD

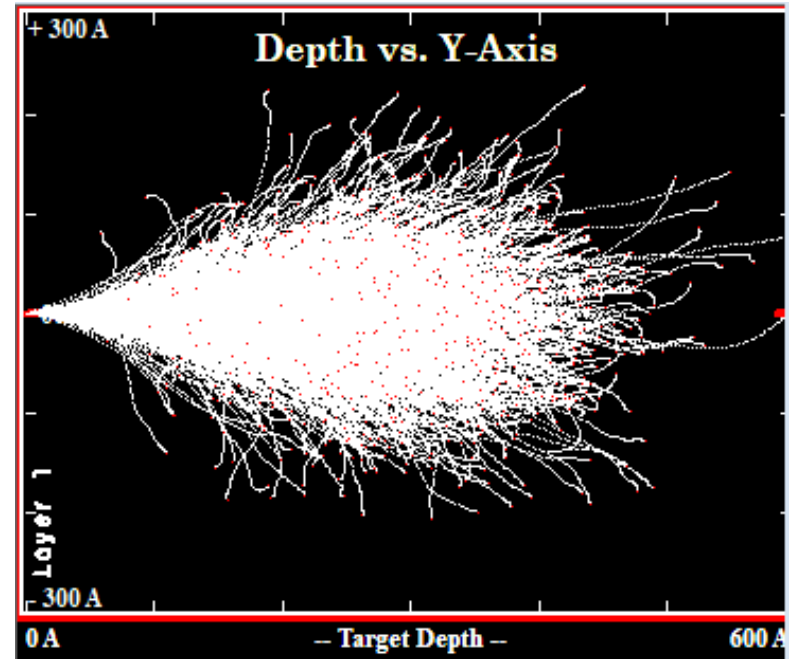




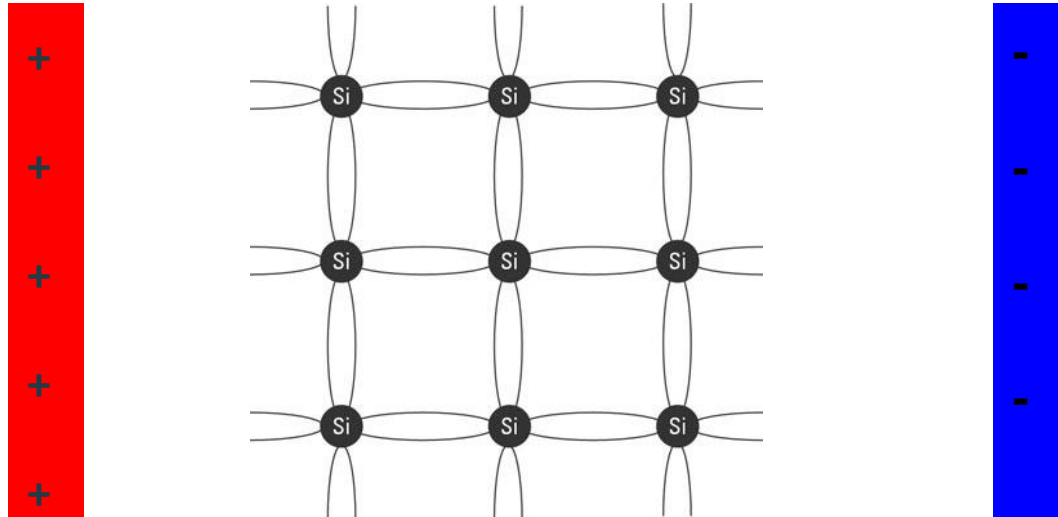
Protons in silicon, 3,2 MeV



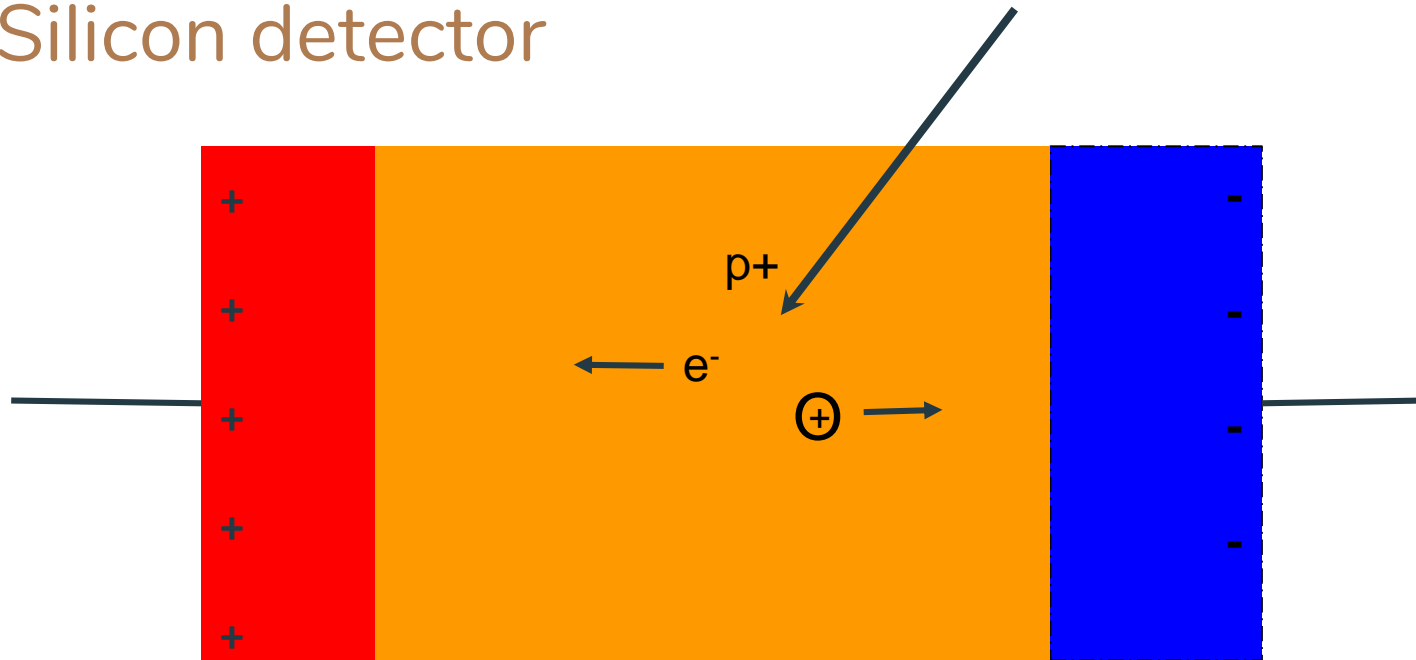
^{32}Ar in carbon, 30 keV

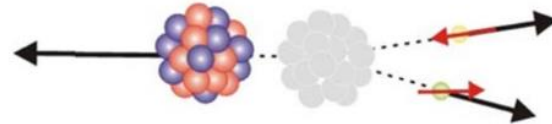
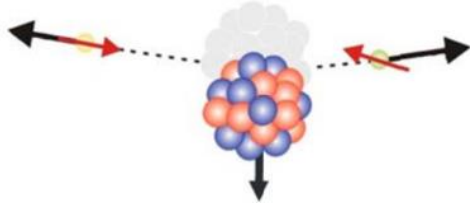
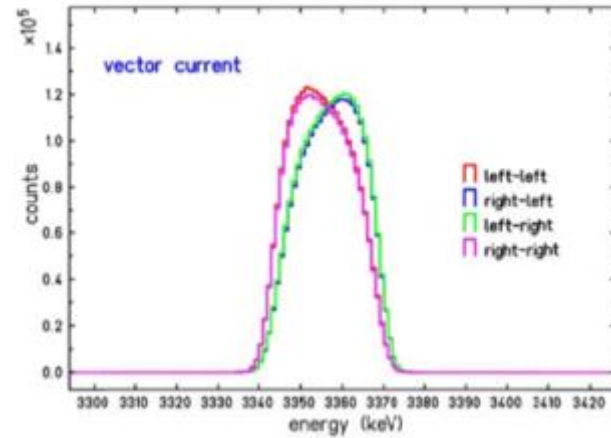
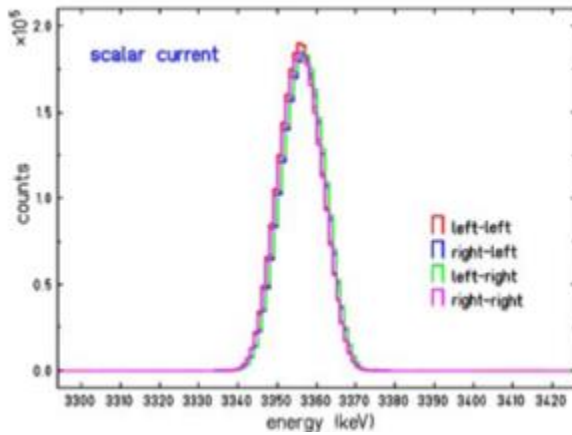


Silicon detector



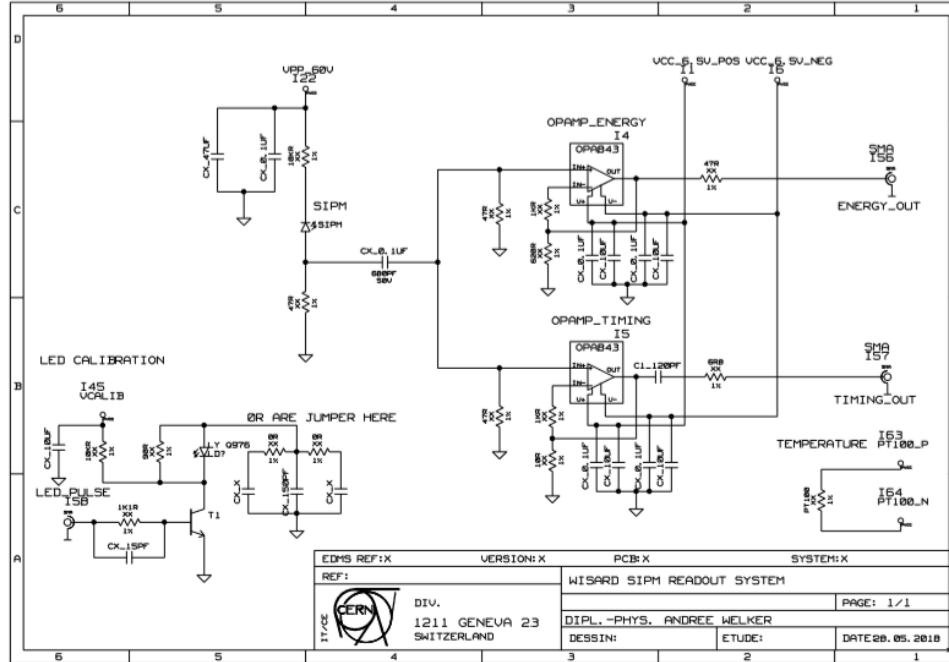
Silicon detector







CERN-INTC-2016-050 ; INTC-I-172

WISArD SiPM READOUT SYSTEM



Courtesy of Andree Welker (WISArD)

NAME	PICTURE	PRICE	AMOUNT	LINK
CRCW080510K 0FKEA - SMD Chip Resistor , <u>10 kohm</u> , CRCW Series, 150 V, Thick Film, 0805 [2012 Metric], 125 mW		<£0,03 a piece (10 minimum)	2	http://uk.farnell.com/vishay/crcw080510k0fkea/res-thick-film-10k-1-0-125w-0805/dp/1469856?st=resistor%200805%2010
CRCW080547R 0FKEA - SMD Chip Resistor , 47 ohm, CRCW Series, 150 V, Thick Film, 0805 [2012 Metric], 125 mW		<£0,034 a piece (10 minimum)	4	http://uk.farnell.com/vishay/crcw080547r0fkea/res-thick-film-47r-1-0-125w-0805/dp/1653007?sst=resistor%200805%2047



isolde.cern.ch