

Idea Square ÖBOT



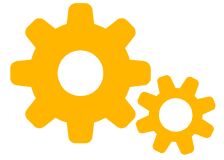
LabVIEW

The Diagram is the Software

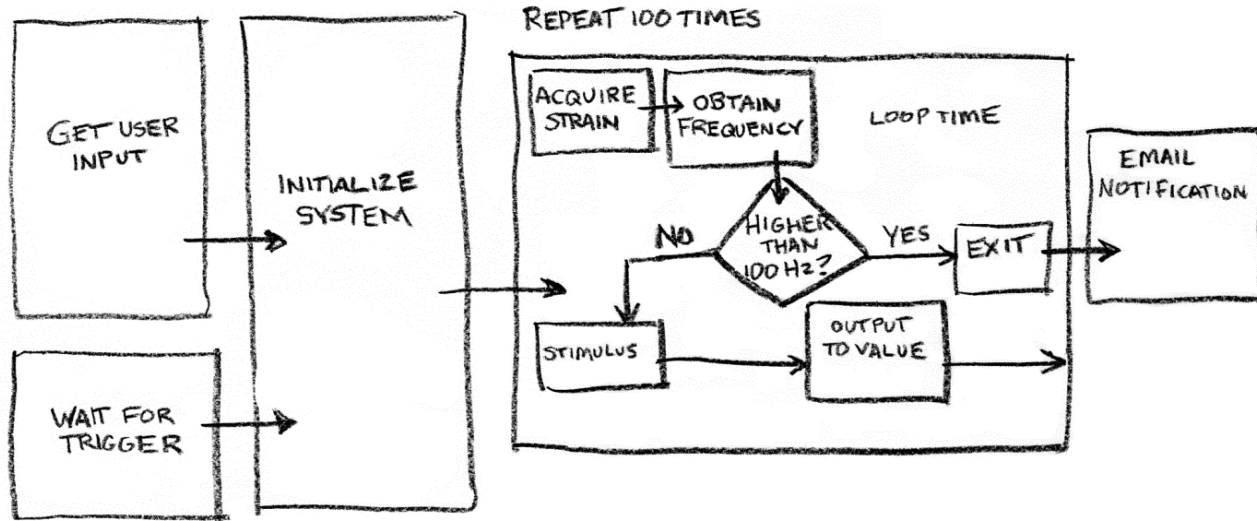


ÖBOT project



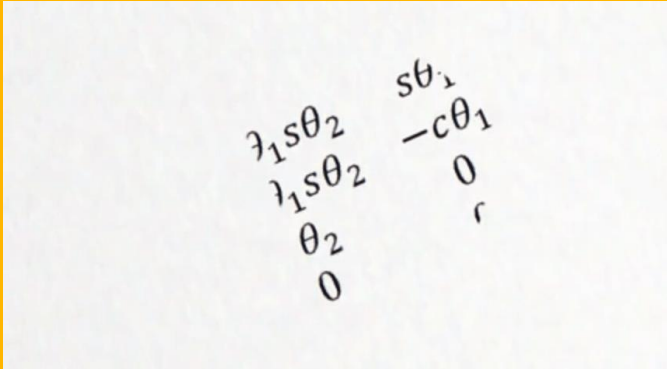


Visualize your ideas



LabVIEW



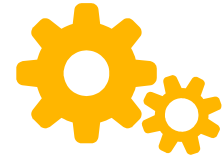


Handwritten mathematical expressions on a white background:

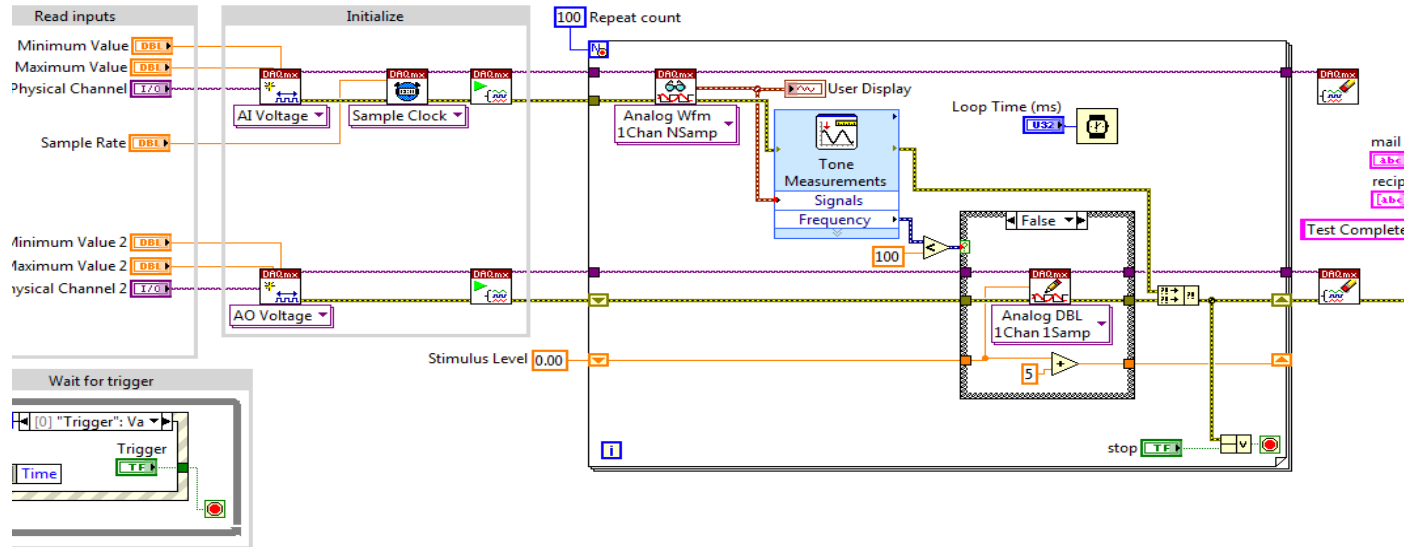
$$\begin{array}{l} \lambda_1 s \theta_2 \\ \lambda_1 s \theta_2 \\ \theta_2 \\ 0 \end{array} \quad \begin{array}{l} s \theta_1 \\ -c \theta_1 \\ 0 \\ r \end{array}$$

Abstraction

Expressing concepts and ideas without focus on syntax



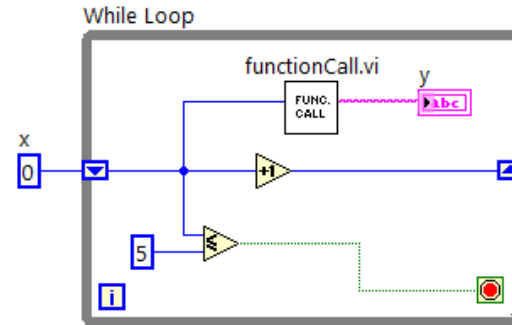
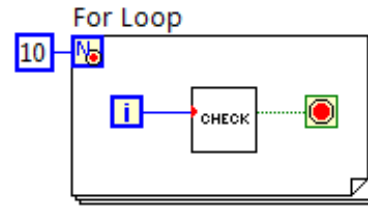
Visualize your ideas



Compare with Text

```
for (i = 0; i < 10; i++)  
{  
    if(check(i)) break;  
}
```

```
int x = 0;  
String y;  
while (x < 5)  
{  
    y = functionCall(x);  
    printf(y);  
    x++;  
}
```



Hello
I'm Poppy!



