



Managed by Fermi Research Alliance, LLC for the U.S. Department of Energy Office of Science

Report from Neutrino Series

Minerba Betancourt, Fermilab

07 August 2019

Neutrino 2018

XXVIII International conference on neutrino physics and astrophysics

Heidelberg convention center



Neutrino 2018

NEUTRINO
2018 Heidelberg
4-9 June

XXVIII International Conference on Neutrino Physics and Astrophysics

4-9 June 2018 — Heidelberg, Germany

- Home
- Conference Poster
- Committees & Contact
- Sponsors
- Overview & Dates
- Registration & Visa
- Posters & Talks
- Accommodation & Travel
- Satellite & Other Events
- Venue
- Timetable
- List of Posters
- List of Participants
- Public Lecture
- Proceedings
- Conference Series



#Neutrino2018

Welcome

The XXVIII International Conference on Neutrino Physics and Astrophysics will be held in Heidelberg from Monday, 4th June 2018, to Saturday, 9th June 2018.

The biennial conference focuses on the current status of neutrino physics, its interplay with astronomy and cosmology and the future prospects of these fields. It is organised by the Max-Planck-Institut für Kernphysik and the Karlsruhe Institute of Technology. The **programme** consists of invited plenary talks and contributed poster presentations. Several **satellite events** take place in the days before and after the conference.

The conference takes place in the old town of **Heidelberg** known for the German Romanticism. It attracts millions of tourists each year.



[Watch on external website](#)

© Heidelberg Marketing GmbH

List of Topics

Neutrino Oscillations and Mass Measurements
Accelerator Neutrinos
Reactor Neutrinos
Solar Neutrinos
Atmospheric Neutrinos
Neutrinoless Double Beta Decay

Leptonic CP-violation
Coherent Scattering
Neutrino Interactions
Sterile Neutrinos
Connections to Dark Matter and BSM Physics
Theory of Masses and Mixings

Astrophysical Neutrinos
Neutrino Cosmology
Supernova Neutrinos
Geoneutrinos
Future Projects

Latest News

2018/07/02 — Conference Proceedings

The conference proceedings are now available [here](#).

2018/06/09 — Conference Picture

The conference picture is now available [here](#).

2018/06/07 — Poster Awardees Announced

We congratulate our Poster Award winners: Aurélie Bonhomme, Katarzyna Frankiewicz, Julieta Gruszko, Joseph Johnston, and Tom Kieck.

2018/06/06 — Wednesday Poster Finalists Announcement

We just nominated the second 10 finalists participating in the Wednesday poster finals. Check our [programme page](#) to get the list.

2018/06/04 — Monday Poster Finalists Announcement

Documents



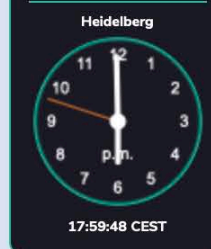
- Conference Poster
- Conference Logos
- 1st Bulletin
- Conference Picture

Add to
Calendar ▼

Conference Weather



Conference Time



MAX-PLANCK-INSTITUT
FÜR KERNPHYSIK
HEIDELBERG

KIT
Karlsruhe Institute of Technology

NEUTRINO 2018

jointly organized by



M. Lindner (chair)



G. Drexlin (co-chair)

TOPICS

- Neutrino Oscillations and Mass Measurements
- Accelerator Neutrinos
- Reactor Neutrinos
- Solar Neutrinos
- Atmospheric Neutrinos
- Neutrinoless Double Beta Decay
- Leptonic CP-violation
- Coherent Scattering
- Neutrino Interactions
- Sterile Neutrinos
- Connections to Dark Matter and BSM Physics
- Theory of Masses and Mixings
- Astrophysical Neutrinos
- Neutrino Cosmology
- Supernova Neutrinos
- Geoneutrinos
- Future Projects

Neutrino 2018

- Attendees: 812
- Talks and posters: 67 plenary talks, 404 posters
- Countries participating 33
- Participants from outside the host country 606

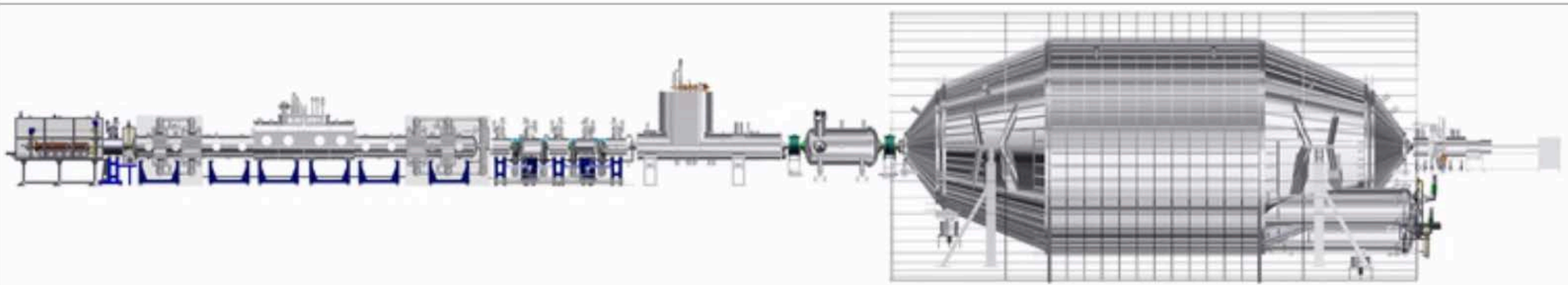


Excursions

Tours to the castle and a cruise



Visit of the KATRIN Experiment



Proceedings

Using online archive Zenodo.org

- uploads get persistent DOI (Digital Object Identifier)
- fully and uniquely citable
- safely stored for the future
- closed upload space controlled by us
- maintained and backed by CERN computing centre
- Zenodo is funded by CERN, EU and OpenAIRE



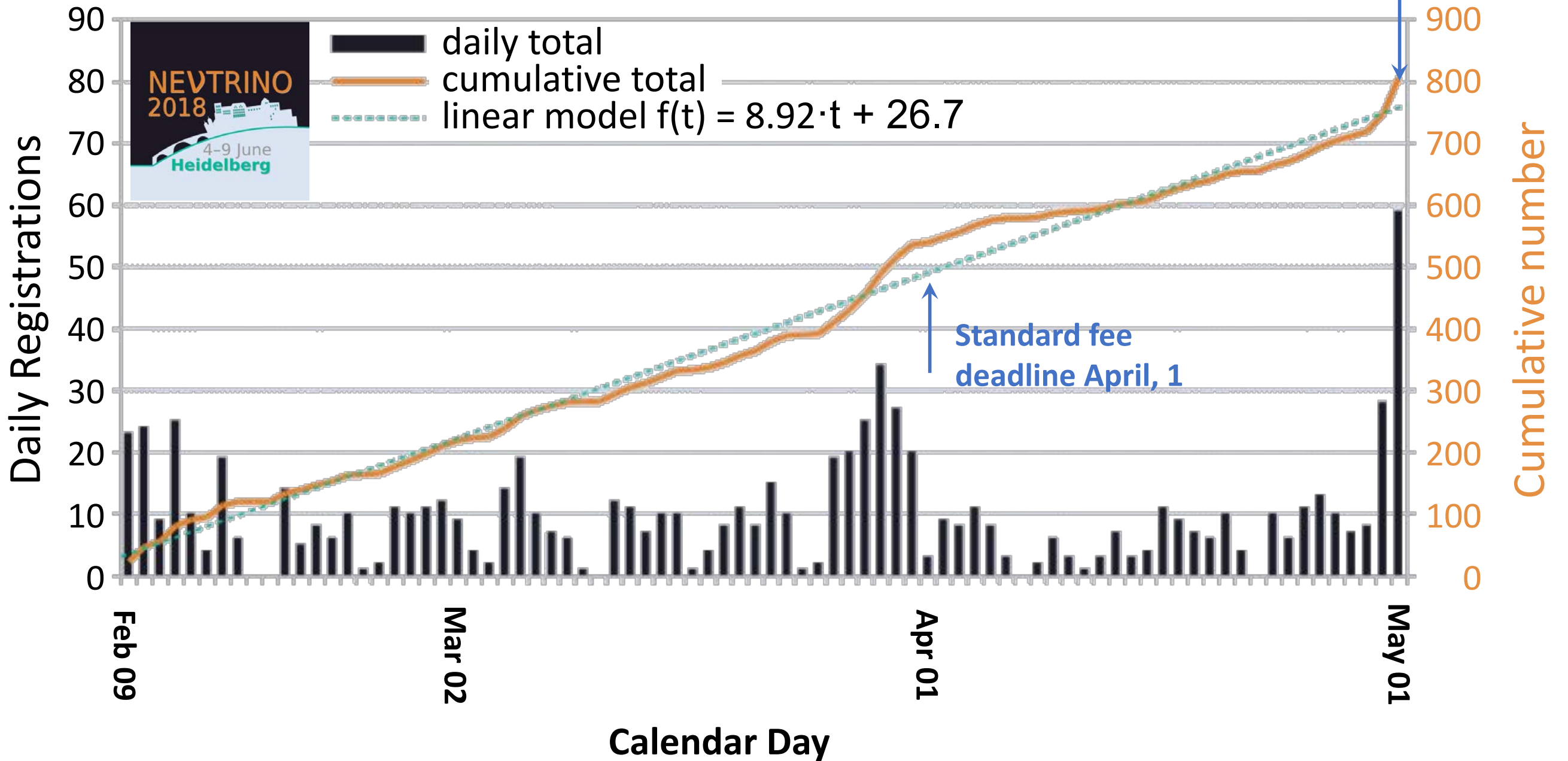
Our proceedings website:

https://www.mpi-hd.mpg.de/nu2018/proceedings_upgrade_proposal_version

- We will upload all Indico content to Zenodo

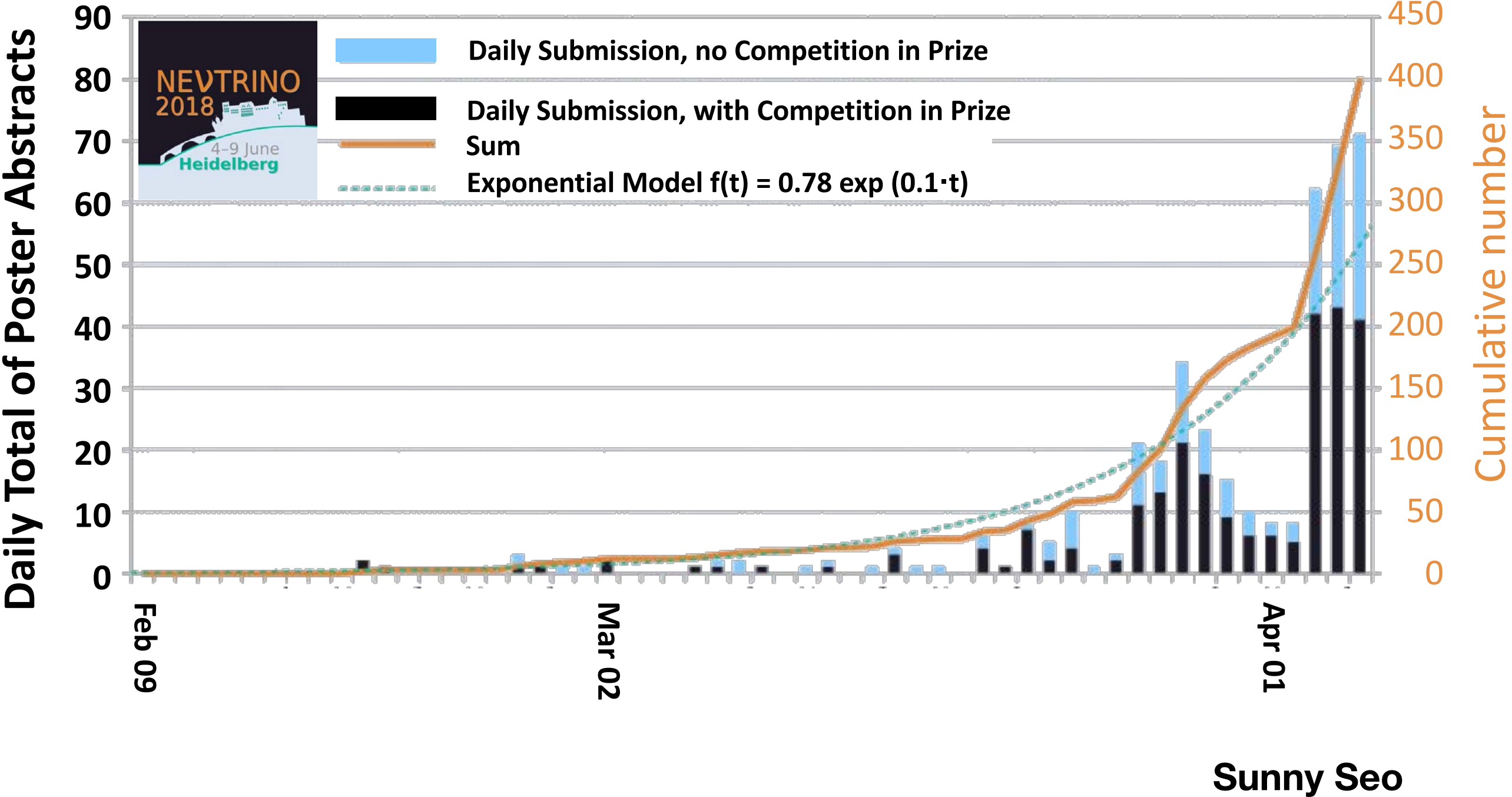
→ proceedings were done within days and not years! Complete (all talks)

Registrations

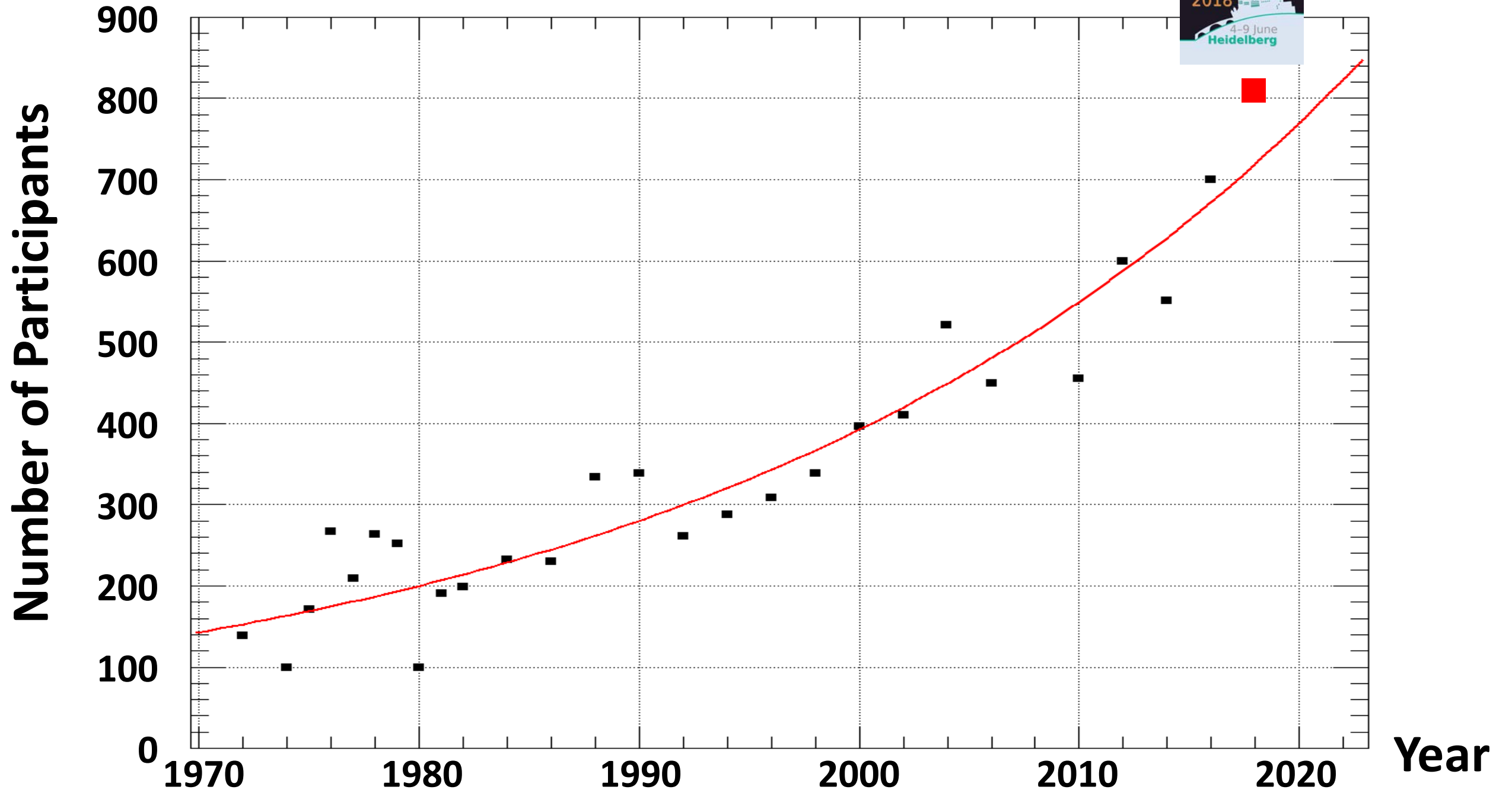


Sunny Seo

Poster Abstract Submission



Neutrino Conference Series

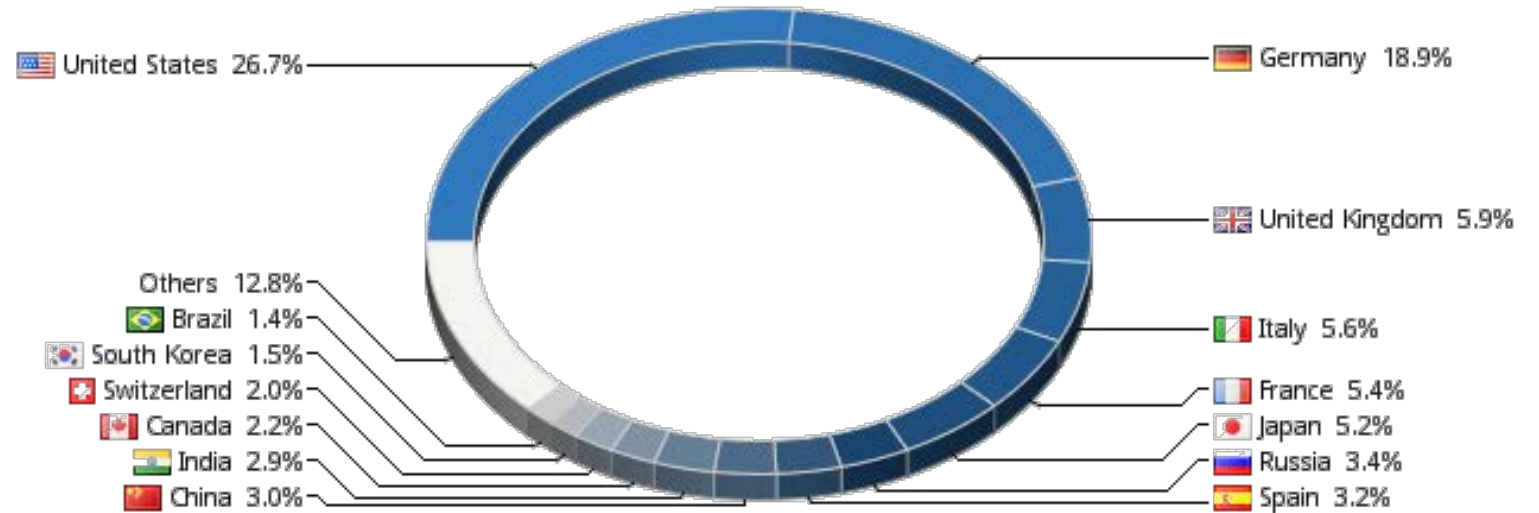


Sunny Seo

Statistics: Neutrino Conferences are truly international

Website access: visits until May 30, 2018: total of ~80.000 page views

| | | | |
|----------|-------|------|------|
| US 3'892 | SE 54 | NG 9 | LT 1 |
| DE 2'763 | CL 39 | TZ 8 | TN 1 |
| GB 856 | GR 38 | VN 8 | GH 1 |
| IT 820 | DK 36 | EC 8 | BQ 1 |
| FR 786 | IR 35 | NO 7 | UG 1 |
| JP 755 | RO 32 | BD 7 | NI 1 |
| RU 491 | AT 28 | HK 7 | PH 1 |
| ES 460 | SG 26 | HR 7 | SY 1 |
| CN 437 | FI 25 | ZA 5 | BA 1 |
| IN 430 | AR 25 | GE 5 | BT 1 |
| CA 323 | CR 24 | KZ 5 | DO 1 |
| CH 287 | EG 19 | BG 4 | LK 1 |
| KR 218 | RS 18 | HU 4 | PR 1 |
| BR 203 | PK 17 | BY 4 | KE 1 |
| PL 190 | IL 17 | UY 4 | HN 1 |
| TW 157 | NP 15 | VE 3 | PS 1 |
| CZ 154 | SI 15 | SA 3 | MY 1 |
| MX 108 | UA 14 | AE 3 | MD 1 |
| PT 100 | MA 13 | CY 2 | AM 1 |
| TR 86 | ID 12 | IQ 2 | GM 1 |
| CO 77 | NZ 11 | TJ 2 | SD 1 |
| BE 77 | PE 11 | AZ 2 | EE 1 |
| NL 73 | SK 10 | MD 2 | |
| AU 65 | DZ 10 | KY 1 | |
| TH 64 | IE 9 | ZW 1 | |



97 countries



Sunny Seo

Neutrino 2020

HOME CONTACT AND COMMITTEES

NEUTRINO 2020
XXIX INTERNATIONAL CONFERENCE ON NEUTRINO PHYSICS

Save the date!

The next International Conference on Neutrino physics, Neutrino 2020, will be held June 21 to 27, 2020, in Chicago, Illinois.

Coming soon...

NEUTRINO 2020

nu2020.fnal.gov

Local Organizing Committee

| Local Organizing Committee | |
|----------------------------|--------------------------------|
| Name | Affiliation |
| S. Brice (co-chair) | Fermilab |
| M. Del Tutto | Fermilab |
| A. Habig | Univ. of Minnesota Duluth |
| M. Hronek | Fermilab |
| M. Marshak (co-chair) | Univ. of Minnesota Twin Cities |
| T. Mohayai | Fermilab |
| A. Norrick | Fermilab |
| G. Pawloski | Univ. of Minnesota Twin Cities |
| F. Psihas | Fermilab |
| E. Snider | Fermilab |
| T. Strauss | Fermilab |
| S. Zeller (co-chair) | Fermilab |
| J. Zennamo | Fermilab |

Registration

- Registration will be open on August 2019
- Expecting 900 people
- 400 posters will be accepted
- Registration fee will be comparable to Neutrino 2018 which was \$657.79
- Planning public events
 - Physics slam
- Setting the student support application
 - Paragraph description of current research, reason for applying the fee waiver and a letter of recommendation from the supervisor/sponsor sent directly to the conference organizers

International Neutrino Commission

| International Neutrino Commission | |
|-----------------------------------|---|
| Name | Affiliation |
| J. Adams | University of Canterbury |
| S. Bludman | University of Maryland |
| T. Bowles | Los Alamos National Laboratory |
| A. Dar | Technion Israel Institute of Technology |
| G. Drexlin | Karlsruhe Institute of Technology |
| G. Feldman | Harvard University |
| E. Fiorini | Istituto Nazionale di Fisica Nucleare – Sezione di Milano Bicocca |
| F. Halzen | University of Wisconsin-Madison |
| C. Jarlskog | Lund University |
| E. Kearns | Boston University |
| T. Kitagaki | Tohoku University |
| K. Kleinknecht | Johannes Gutenberg-Universität Mainz |
| T. Kobayashi | High Energy Accelerator Research Organization (KEK) |
| J.G. Learned | University of Hawaii, Manoa |
| M. Lindner | Max-Planck-Institut für Kernphysik |
| K. Long | Imperial College London/STFC |
| W. Louis | Los Alamos National Laboratory |
| A. B. McDonald | Queen's University |
| | University of Tokyo Institute for |

| | |
|-------------------|---|
| M. Nakahata | University of Tokyo Institute for Cosmic Ray Research |
| T. Nakaya | Kyoto University |
| V. Palladino | Istituto Nazionale di Fisica Nucleare – Sezione di Napoli |
| S. Parke (chair) | Fermi National Accelerator Laboratory |
| S. Pascoli | Durham University/IPPP |
| H. Pietschmann | University of Vienna |
| M. Roos | University of Helsinki |
| N. Schmitz | Max-Planck-Institut für Physik |
| J. Schneps | Tufts University |
| Y. Suzuki | University of Tokyo |
| F. Vannucci | University of Paris VII |
| D. Vignaud | University of Paris VII |
| F. von Feilitzsch | Technical University München |

International Advisory Committee

International Advisory Committee

| Name | Affiliation |
|-----------------|---|
| L. Alvarez-Ruso | Universidad de Valencia |
| A. S. Barabash | National Research Center "Kurchatov Institute" Institute for Theoretical and Experimental Physics, Moscow |
| J. F. Beacom | Ohio State University, Center for Cosmology and AstroParticle Physics (CCAPP) |
| L. Baudis | Universität Zürich |
| J. Cao | Institute of High Energy Physics, Chinese Academy of Sciences |
| A. Dighe | Tata Institute of Fundamental Research |
| P. Denton | Brookhaven National Laboratory |
| S. Dodelson | Carnegie Mellon University |
| Y. Farzan | Institute for Research in Fundamental Sciences (IPM) Tehran |
| R. Gandhi | Harish Chandra |
| L. Gastaldo | Heidelberg University |
| A. Giuliani | Centre de Sciences Nucléaires et de Sciences de la Matière (CSNSM), Dipartimento di Scienza e alta tecnologia (DiSAT) |
| R. Guenette | Harvard University |
| Y. Hayato | Institute for Cosmic Ray Research (ICRR), University of Tokyo |
| M. Hall Reno | The University of Iowa |
| S.-B. Kim | Seoul National University |

| | |
|-----------------|--|
| A. Marino | University of Colorado |
| J. Ochoa-Ricoux | Pontificia Universidad Católica de Chile |
| G. Orebi Gann | University of California, Berkeley and Lawrence Berkeley National Laboratory (LBNL) |
| M. Pallavicini | Istituto Nazionale di Fisica Nucleare (INFN), Genova |
| S. Pascoli | Durham University/Institute for Particle Physics Phenomenology (IPPP) |
| M. Sanchez | Iowa State University |
| K. Scholberg | Duke University |
| S.-H. Seo | Center for Underground Physics, Institute for Basic Science, Seoul National University |
| D. Sinclair | Carleton University |
| N. J. T. Smith | SNOLAB |
| M. Tanimoto | Niigata University |
| M. Tórtola | Instituto de Física Corpuscular (IFIC), Universidad de Valencia, Consejo Superior de Investigaciones Científicas (CSIC) |
| F. Vissani | Istituto Nazionale di Fisica Nucleare (INFN), Laboratori Nazionali del Gran Sasso (LNGS)/Gran Sasso Science Institute (GSSI) |
| M. Wascko | Imperial College London |
| H. Wong | Academia Sinica, Taipei |
| E. Worcester | Brookhaven National Laboratory |

R. Zukanovich Funchal
Universidade de São Paulo

Budget

- URA :\$20k
- IUPAP
- NSF
- DOE
- Vendors