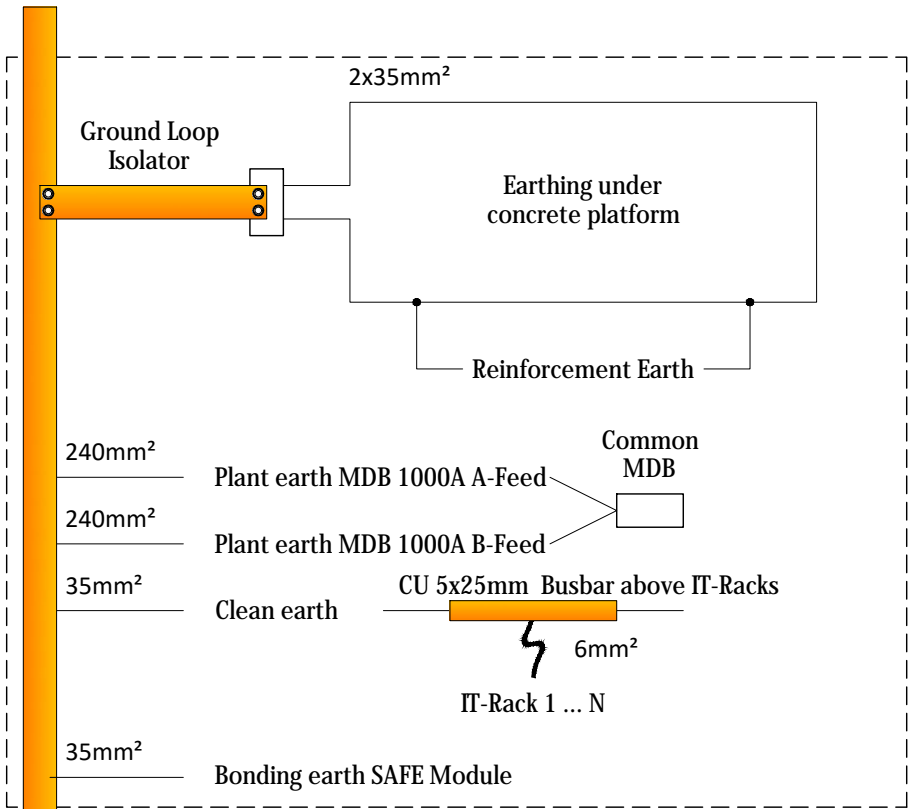
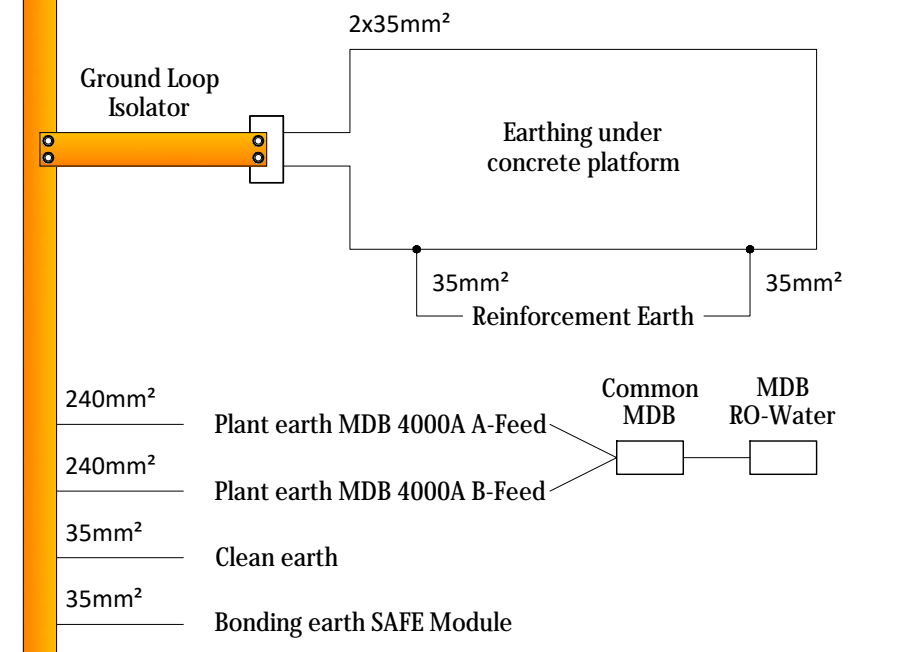


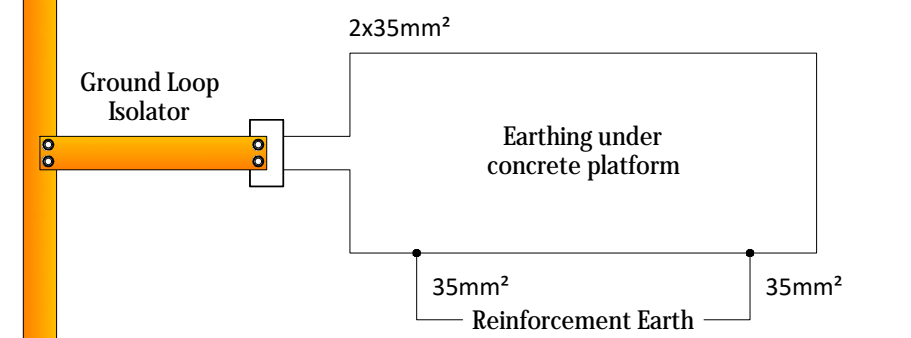
Site Earth Busbar



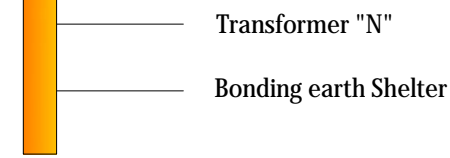
LHCb: IT Module 1-6



Power Module



LV Substation



			Title:	
			Earth Diagram	
Zone 4A Dassenveld Zinkstraat 2 B-1502 Halle Tel.: +32 (0)2.358.35.75 Fax.: +32 (0)2.358.36.09 E-mail: automation@automation.be			Plan n°: Earth Diagram-LHCb-dwg	
Draft	Date	Checked	PN : 9220.0082.01.A	
JLE	15-jan-18	PCO		