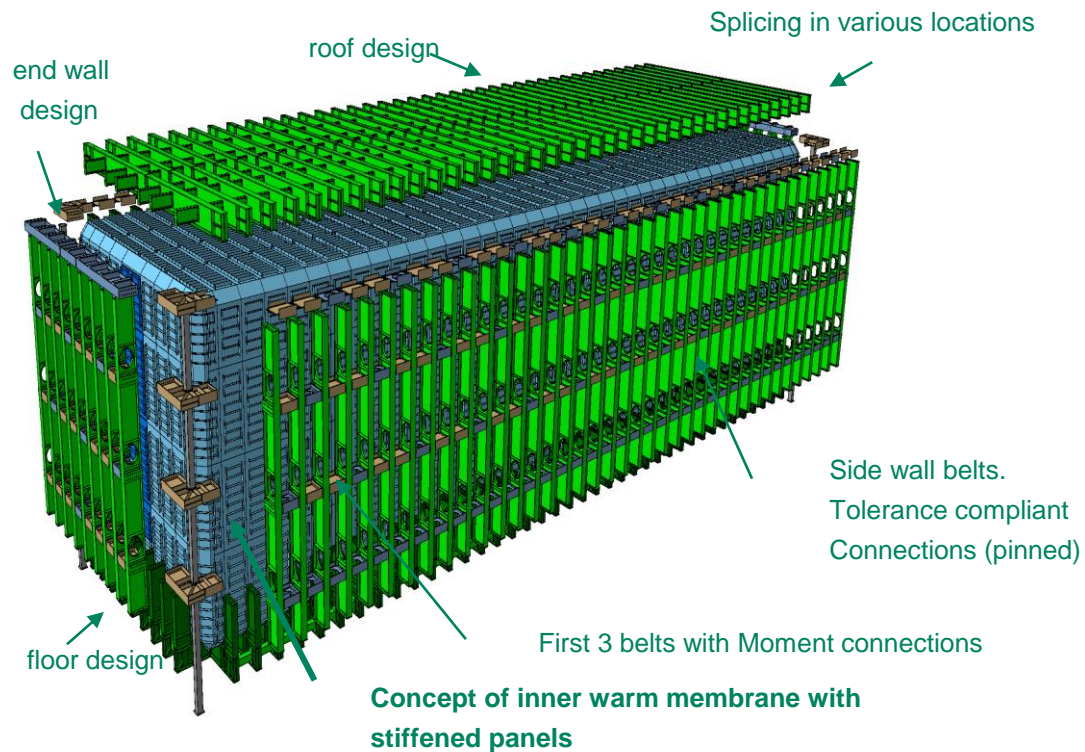
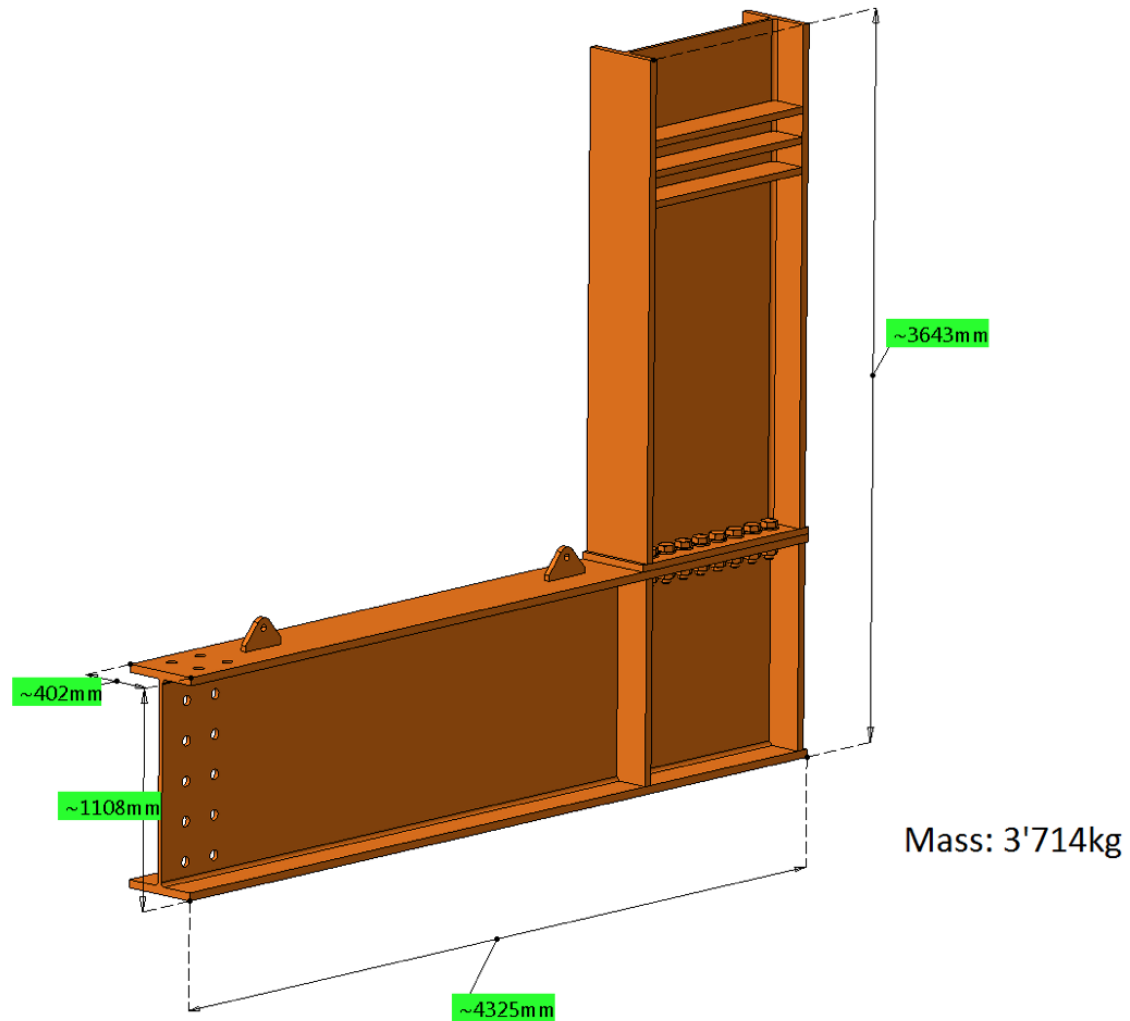


Test activities

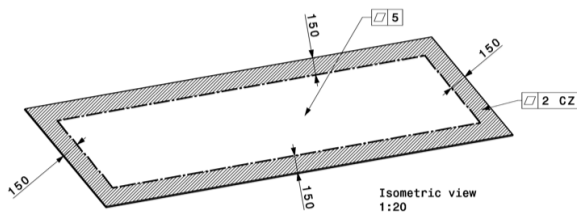
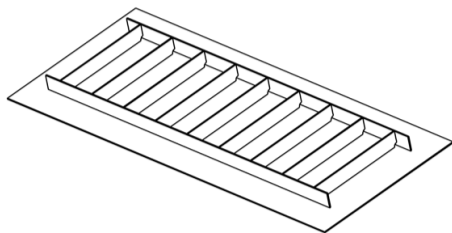
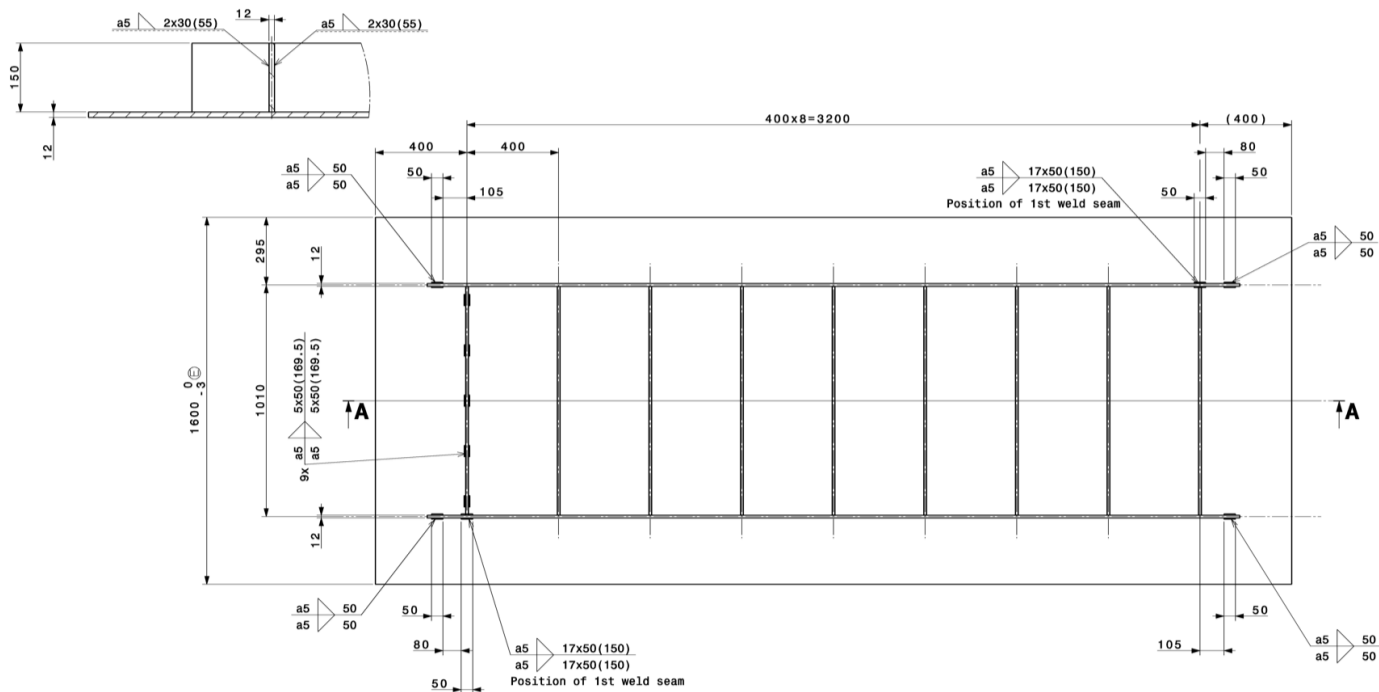
Marzio Nessi, CERN



<https://edms.cern.ch/document/1890324>



<https://edms.cern.ch/document/1890324>



B	2018-01-09	E. Seletskaya	View B - change welding
A	2017-09-01	C. BAULT	Weld
IND.	DATE	NOM/NAME	ZONE MODIFICATION

1	1	EN 24000(1.2003)			
QDA	DESCRIPTION	POS	MAT.	OBSERVATIONS	REF. CERN
ENG/ASS				D. ENG/S. ASS	
ISO 2768-cl	$\sqrt{Ra 6.3}$			ISO 13715	1:2
LINF Cryostat			DESIGN	C. BAULT	2017-06-19
Warm skin reinforced- Prototype			CONTROLLED	B. LACRETELLE	2018-01-09
1:10			RELEASED	D. PLACENOV	2018-01-09
			APPROVED		
			QMS Document Number	ST0861547_02	
			REPLACES		
RELEASED BY	FOR	DATE	SCALE	REF. CERN	SIZE
PROJECT ENGINEER	PRODUCTION		1:10	CENBNFCR0072	1 B

16 15 14 13 12 11 10 9 8 7 6 5 4