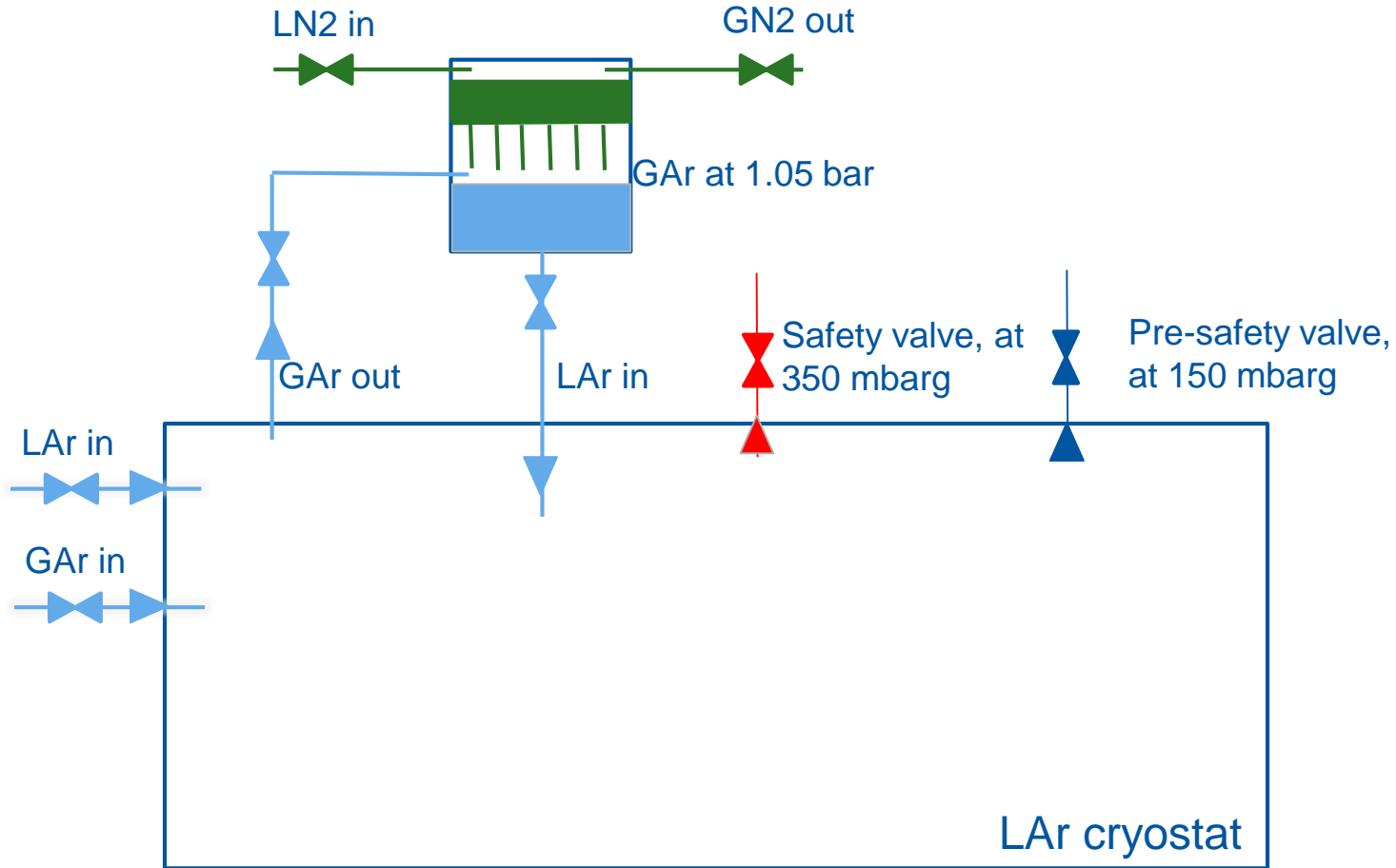


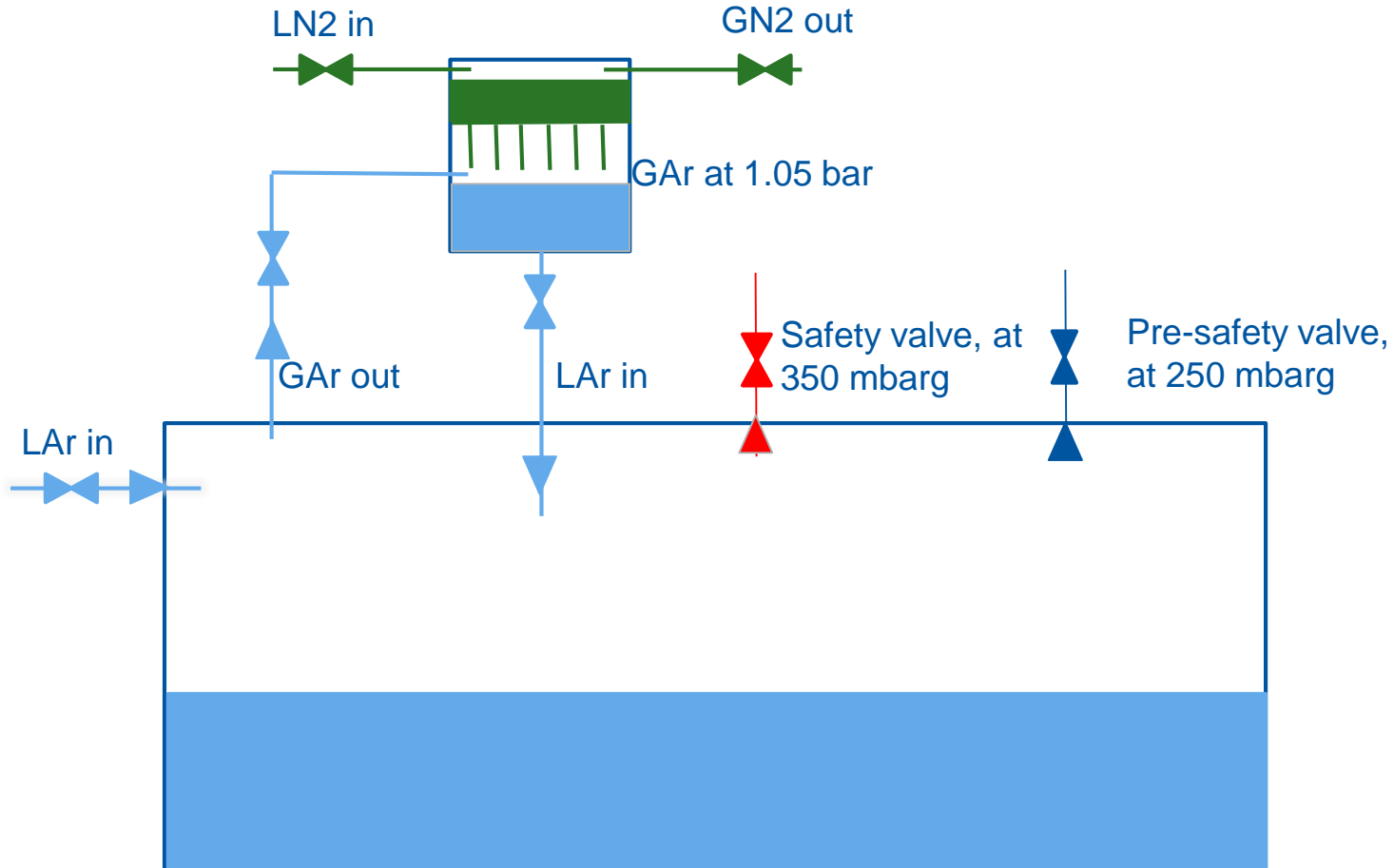
Pressure regulation LAr cryostat NP04

Cool-down Operation



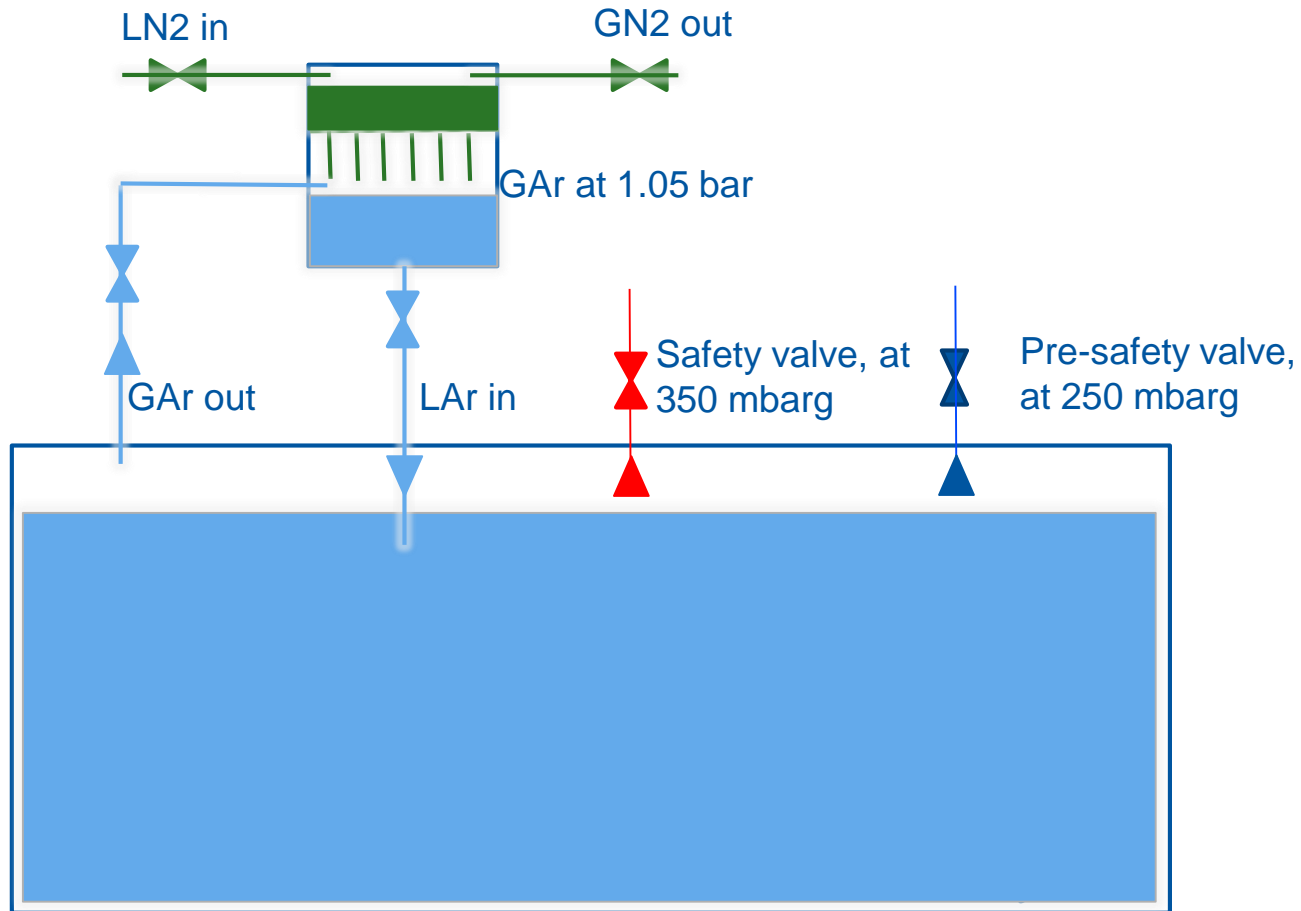
Cool-down $p \sim 150$ mbarg
 No electronics
 No recirculation
 Open pre-safety $p = 150$ mbarg
 Open safety $p = 350$ mbarg

Filling Operation



Filling	$p \sim 1.070$ bar
No electronics	
No circulation	
Open pre-safety	$p = 250$ mbarg
Open safety	$p = 350$ mbarg

Normal Operation



Normal operation	$p \sim 1.070$ bar
Stop electronics	$p = 200$ mbarg
Stop recirculation	$p = 200$ mbarg
Open pre-safety	$p = 250$ mbarg
Open safety	$p = 350$ mbarg

Experience 182 Normal Operation

