



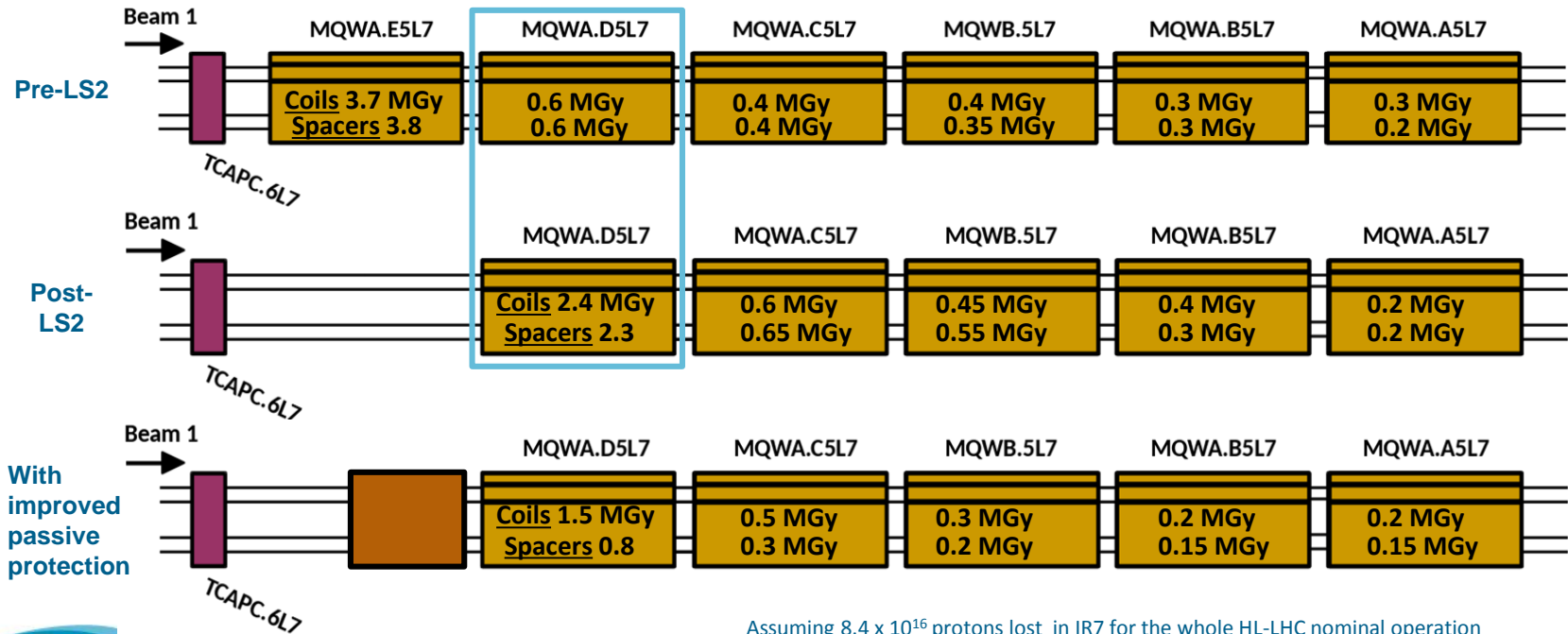
TCA absorber

Mechanical design

Luca Gentini, Alessandro Bertarelli, Federico Carra, Michele Pasquali



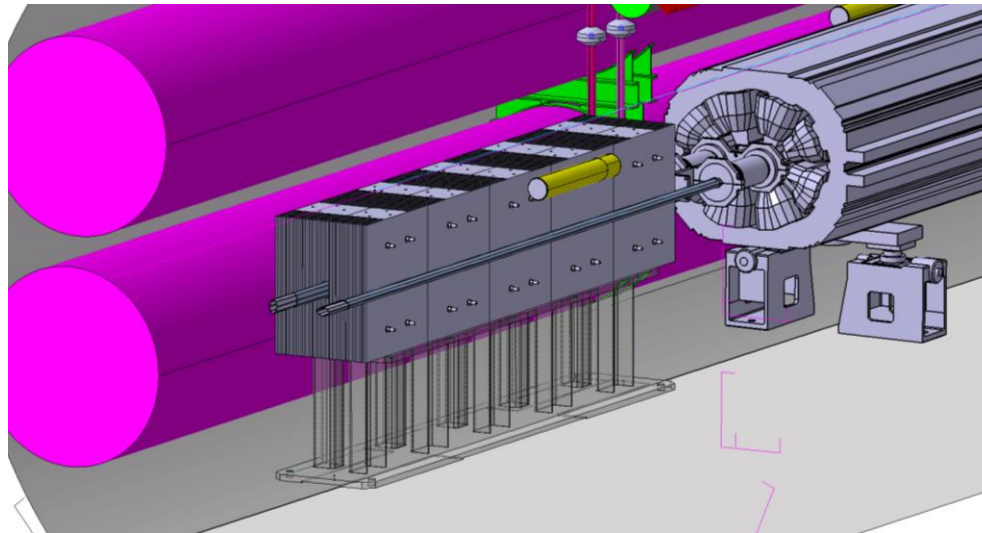
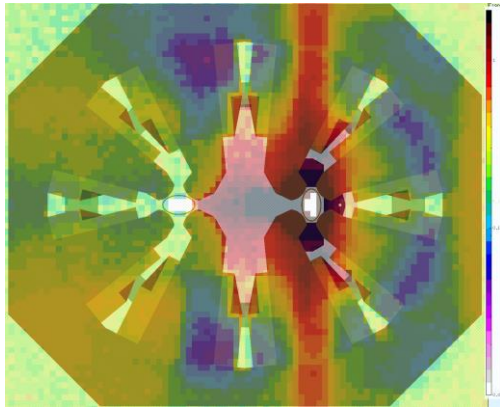
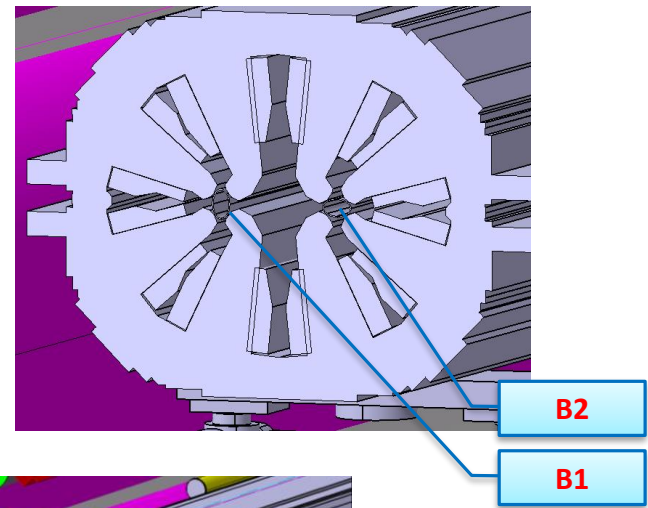
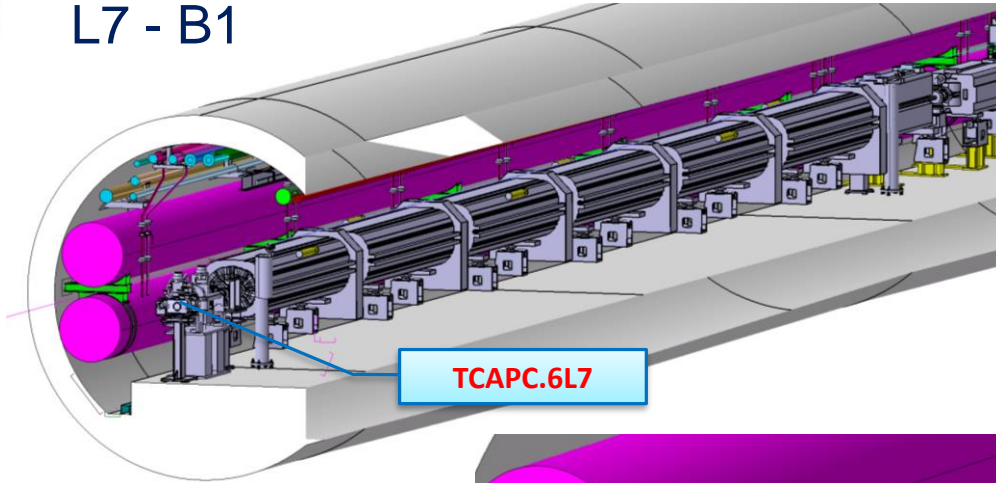
Total dose accumulated by the end of HL-LHC

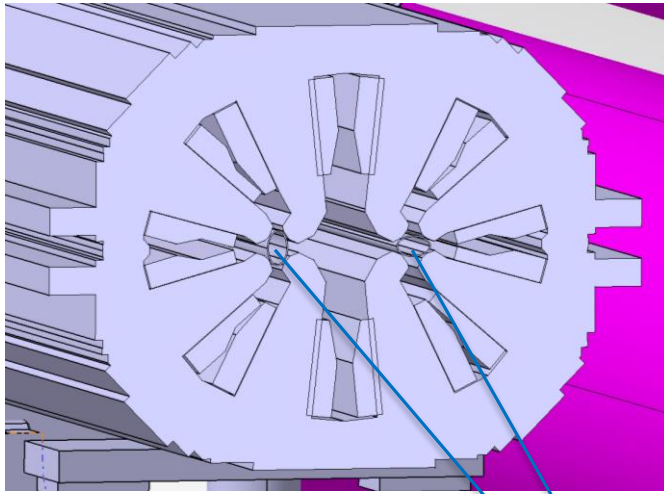


Assuming 8.4×10^{16} protons lost in IR7 for the whole HL-LHC nominal operation
 (By Cristina Bahamde castro presentation 9-11-2017)



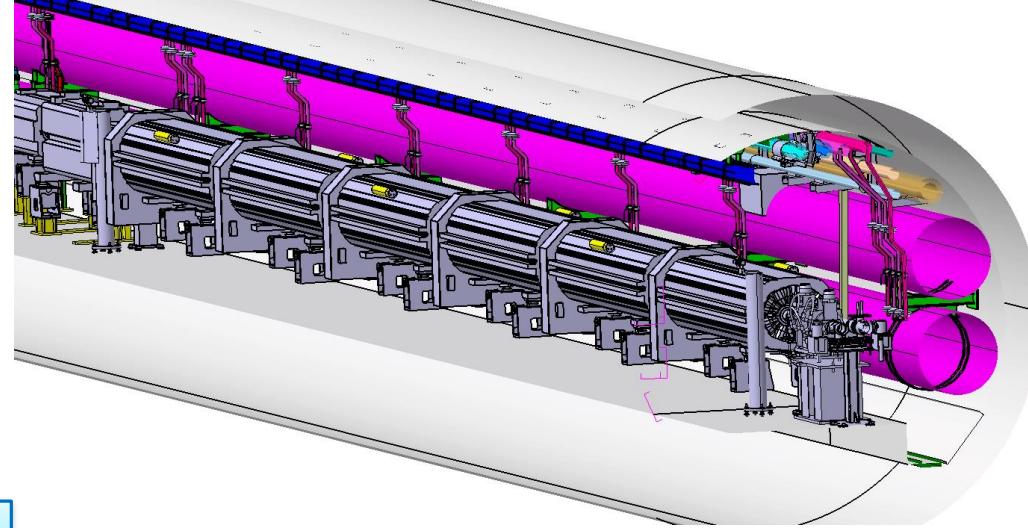
L7 - B1



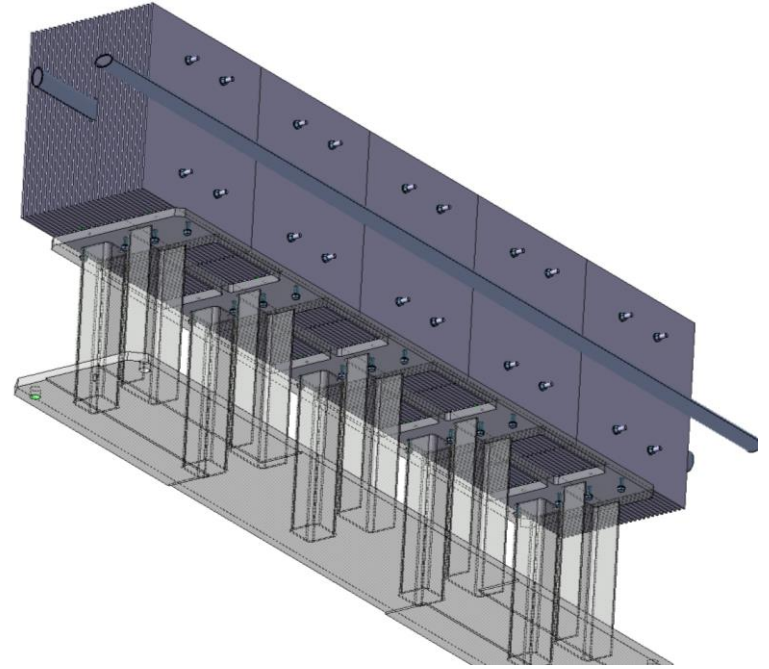
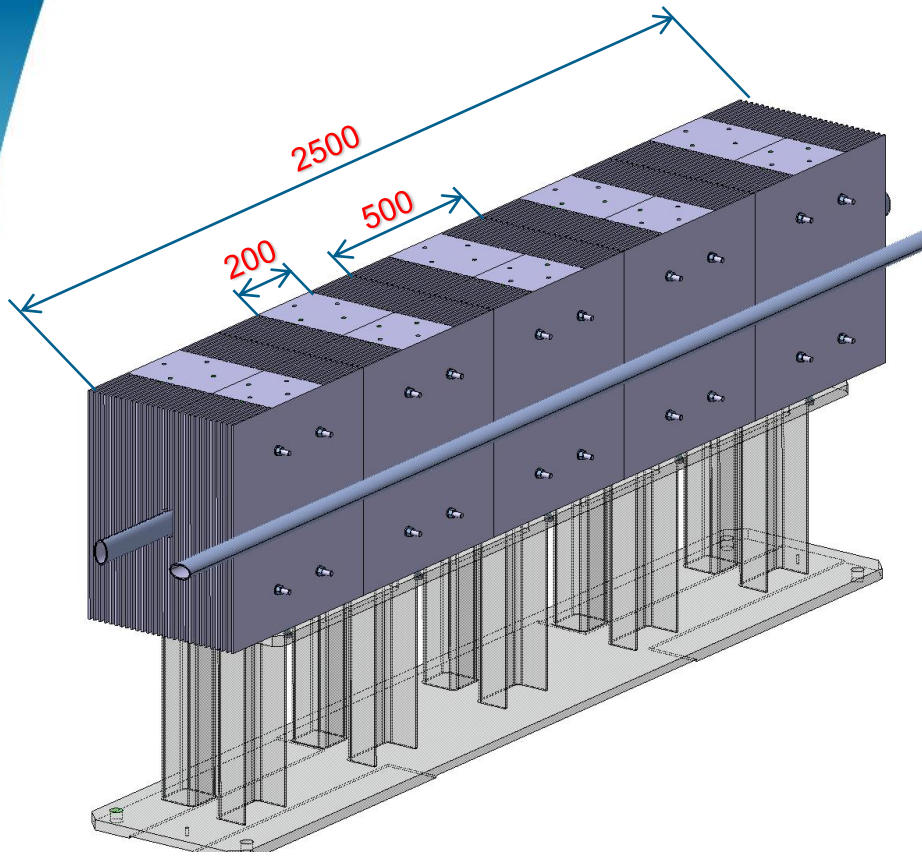


B2

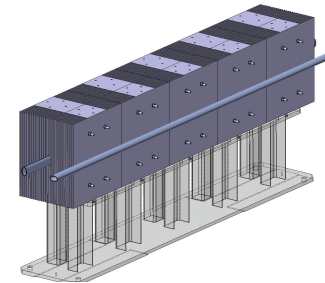
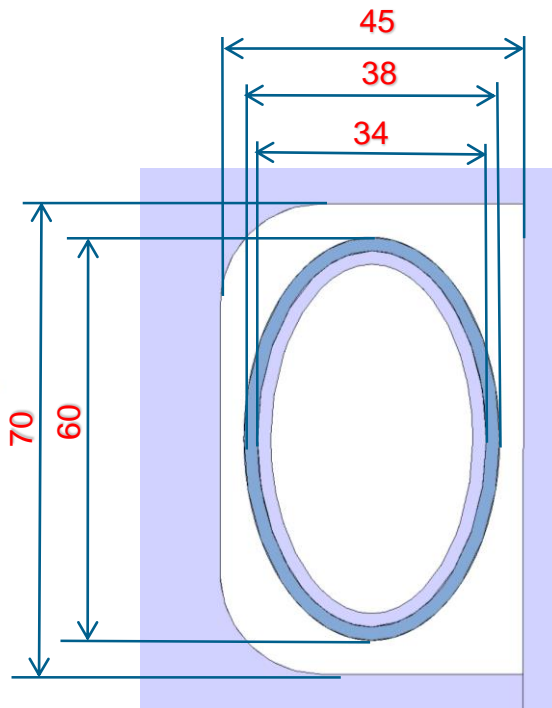
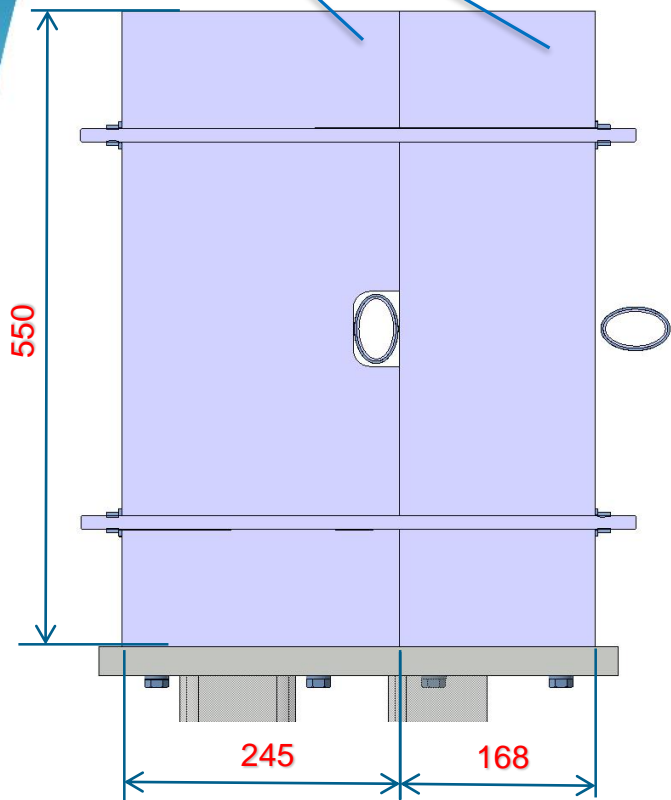
B1



R8 - B1 or B2 ?



Block 2
Block 1



- External Chamber dimensions: 34 x 56
- Th. heating jackets: 2 mm
- Bloc 1 weight: 313 Kg
- Block 2 weight: 220 Kg
- Support weight: 125 kg
- TOTAL weight: 2800 kg



Thank you for your attention

